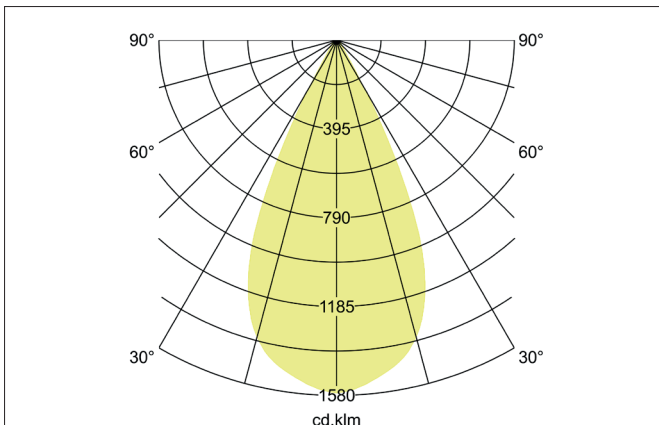
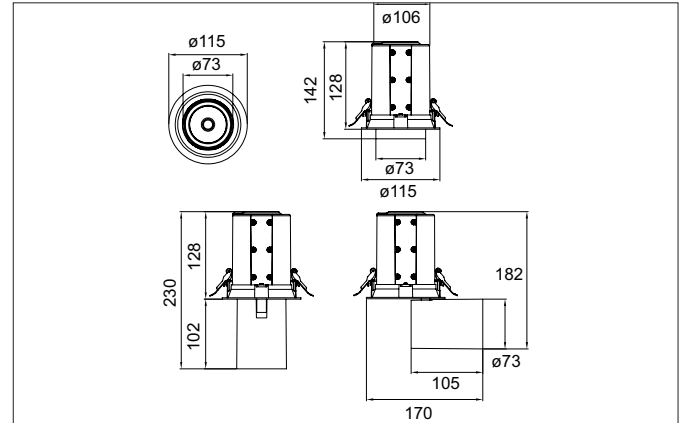


**TRAXX MIDI LED recessed spotlight, on/off switchable**  
Article no. 88755185

Light.  
For Generations.



#### Tender

LED recessed spotlight, on/off switchable, Round. Ceiling cut-out Ø 107 mm, Installation depth 128 mm, Weight 0,910 kg, with rotations-symmetrical, deep, wide distributed light intensity. optimal light distribution due to a glass transparent cover. Luminous flux 2.724 lm, Power 1 x 20 W, Light colour neutral white, Correlated color temperature (CCT) 3.500 K, Colour rendering index CRI > 90, Rated life time L80/B50 at 25 °C: 50.000 h, Housing material: Aluminium / Glass / Plastic, Colour: Black structure, Permissible ambient temperature (ta): -20 °C - +25 °C, Protection class (EN 61140): II, Degree of protection (DIN EN 60529): IP20, .With electronic driver, on/off switchable.

| Article data       |   |
|--------------------|---|
| Article no.        | 88755185                                  |
| GTIN               | 4251433975106                             |
| Series name        | TRAXX MIDI                                |
| Short description  | LED recessed spotlight, on/off switchable |
| Material           | Aluminium / Glass / Plastic               |
| Colour             | Black                                     |
| Type of surface    | Structure                                 |
| Shape              | Round                                     |
| Built-in diameter  | 107 mm                                    |
| Installation depth | 128 mm                                    |
| Weight             | 0.910 kg                                  |

**TRAXX MIDI LED recessed spotlight, on/off switchable**

Article no. 88755185

Light.  
For Generations.

| Lighting technology |            |
|---------------------|------------|
| Colour temperature  | 3.500 K    |
| Light colour        | White      |
| Light output        | Direct     |
| Luminous flux       | 2,724 lm   |
| System efficiency   | 136 lm/W   |
| Colour rendering    | CRI > 90   |
| Reflector           | High-gloss |
| Beam angle          | 50°        |
| Light sharing       | Symmetric  |

| Operating technology of the luminaire |  |
|---------------------------------------|--|
| System output                         | 20 W   |
| Voltage type                          | AC   |
| AC nominal voltage max                | 230 V  |
| Frequenz max.                         | 50 Hz  |
| Lamp                                  | LED  |
| Protection class                      | II   |
| Degree of protection                  | IP20   |
| Control                               | on/off   |
| Bulb change possible                  | The light source of this luminaire may only be replaced by the manufacturer or a service technician commissioned by him or a similarly qualified person. |
| Rated life time L80/B50 at 25 °C      | 50.000 h   |

| Mounting technology         |   |
|-----------------------------|---|
| Mounting method             | Recessed mounting                         |
| Place of installation       | Ceiling-mounted                           |
| Adjustability               | Rotable and pivoted                       |
| Swivel angle                | 90°                                       |
| Rotation angle              | 350°                                      |
| Head adjustable angle       | 90°                                       |
| Further references          | No cover with thermal insulation material |
| Material cover              | Glass transparent                         |
| Suitable for through-wiring | No  |

| Packing data            |   |
|-------------------------|---|
| Gross weight            | 0.98 kg   |
| Length of packaging     | 175 mm  |
| Packaging width         | 175 mm  |
| Packaging height        | 150 mm  |
| Disposal at end of life | This product must not be disposed of with household waste. You are obliged, to dispose of such electrical waste separately.<br>By disposing of electrical waste and other old or defective electronics separately, you support recycling or other forms of re-use. In that way you help to take care and to avoid that harmful substances get into the environment. |