

## Wall mounting appliance inlet - with closure cap



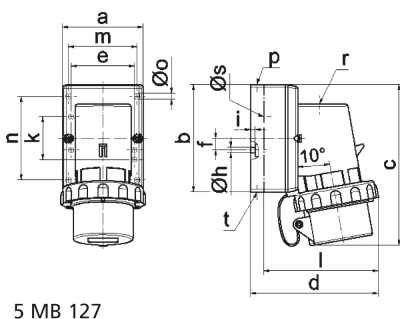
Product description	
BALS-Prd.-Nr	2489
EAN	4024941024891
Product category	Wall mounting appliance inlet
Current	16A
Number of poles	4p
Poles	3P+PE
Position of earth contact	6 h
Voltage	380 up to 415V
Frequency	50 and 60Hz

Product description	
Protection degree	IP67
Colour code	red RAL 3000
Colour of appliance	Closure cap grey RAL 7035, Collar red RAL 3000, Bayonet ring grey RAL 7035, Housing bottom grey RAL 7035, Housing top grey RAL 7035
Connection design	with screw terminal
Maximum conductor size	2,5 qmm
Cable entry	top entry M20
Height	151mm
Width	79mm
Depth	120mm
Dimension of enclosure	100x75 mm (HxW)
Material of enclosure	Polyamide
Contact	The contact carrier is made of polyamide, the contacts are brass nickel plated

Additional technical properties	
	The cable entry is one at top open and one at bottom and one rear side closed
	With closure cap

Logistics data	
Weight/pcs	0.288 kg / Piece
Packaging	Bag

Logistics data	
Content amount	1 ST
EAN	4024941024891
Length	120 mm
Width	79 mm
Height	151 mm
Weight	0.289 kg
Volume	1,431.48 ccm
Packaging	Carton
Content amount	10 ST
EAN	4024941832878
Length	325 mm
Width	217 mm
Height	210 mm
Weight	3.086 kg
Volume	13,588.4 ccm



5 MB 127

Ampere	16	16	16	32	32	32
Polzahl	3	4	5	3	4	5
a	64,0	75,0	84,0	90,0	90,0	90,0
b	87,0	100,0	84,0	75,0	75,0	75,0
c	137,0	151,0	137,0	147,0	147,0	148,0
d	112,0	119,0	-	122,0	122,0	123,0
e	51,0	59,0	-	-	-	-
f	-	11,0	-	-	-	-
h Ø	4,1	5,1	-	-	-	-
i	4,5	4,5	-	-	-	-
k	40,0	-	-	-	-	-
l	-	-	111,0	-	-	-
m	-	-	64,0	78,0	78,0	78,0
n	-	-	64,0	45,0	45,0	45,0
o Ø	-	-	5,5	5,5	5,5	5,5
p	M20	M20	-	-	-	-
r	-	-	M20	M25	M25	M25
s Ø	-	-	23,0	29,0	29,0	29,0
t	für M20	für M20	-	-	-	-