

Panel mounting socket outlet, black, straight for event-technology - for Event technology

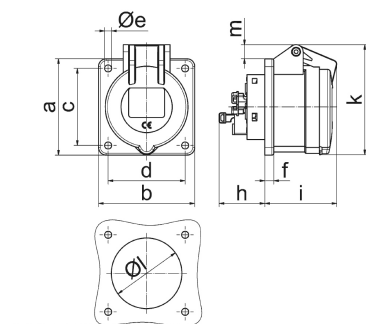


Product description	
BALS-Prd.-Nr	130270
EAN	4024941938891
Product category	Panel mounting socket outlet Quick-Connect, straight
Current	16A
Number of poles	4p
Poles	3P+PE
Position of earth contact	6 h
Voltage	380 up to 415V

Product description	
Frequency	50 and 60Hz
Protection degree	IP44
Colour code	red RAL 3000
Colour of appliance	Enclosure black RAL 9005, Hinged lid black RAL 9005
Connection design	screwless spring terminals as cage clamp with Kontex-contact
Maximum conductor size	4,0 qmm
Cable entry	other
Height	80mm
Width	75mm
Depth	89mm
Flange size vertical	75mm
Flange size horizontal	75mm
Drill hole distance vertical	60mm
Drill hole distance horizontal	60mm
Material of enclosure	Polyamide
Contact	The contact carrier is made of high temperature resistant material, the contacts are brass nickel plated

Logistics data	
Weight/pcs	0.15 kg / Piece
Packaging	Bag

Logistics data	
Content amount	1 ST
EAN	4024941938891
Length	89 mm
Width	75 mm
Height	80 mm
Weight	0.151 kg
Volume	534 ccm
Packaging	Carton
Content amount	10 ST
EAN	4024941840279
Length	245 mm
Width	177 mm
Height	185 mm
Weight	1.633 kg
Volume	7,140 ccm



4 MB 103

Ampere Polzahl	16 3	16 4	16 5	32 3	32 4	32 5
a	75,0	75,0	75,0	75,0	75,0	75,0
b	75,0	75,0	75,0	75,0	75,0	75,0
c	60,0	60,0	60,0	60,0	60,0	60,0
d	60,0	60,0	60,0	60,0	60,0	60,0
e ø	5,5	5,5	5,5	5,5	5,5	5,5
f	7,0	7,0	7,0	8,0	8,0	8,0
h	35,5	35,5	35,5	50,0	50,0	50,0
i	52,0	53,0	57,0	65,0	65,0	66,0
k	71,5	80,0	86,0	91,0	91,0	99,0
l ø	45,0	45,0	55,0	60,0	60,0	60,0
m	3,5	7,0	11,5	12,0	12,0	17,0
Leiter mm ² min	1,5	1,5	1,5	2,5	2,5	2,5
Leiter mm ² max	4	4	4	10	10	10