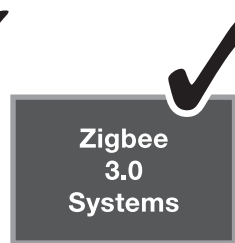
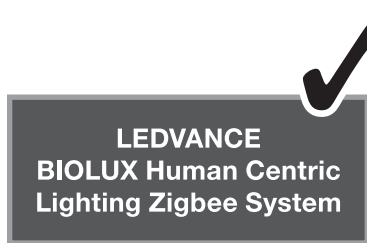


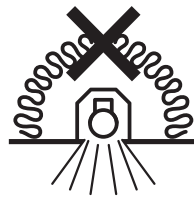
ACCESSORIES

- SURFACE MOUNT KIT
- SURFACE MOUNT KIT VALUE
- SUSPENSION KIT
- RECESSED MOUNT FRAME
- RECESSED MOUNT CLIPS
- SECURITY BRACKETS
- SECURITY KIT



*

1x	2x	3x	...	nx
B25	B16	B10	C16	C10
n=114	n=74	n=46	n=74	n=46

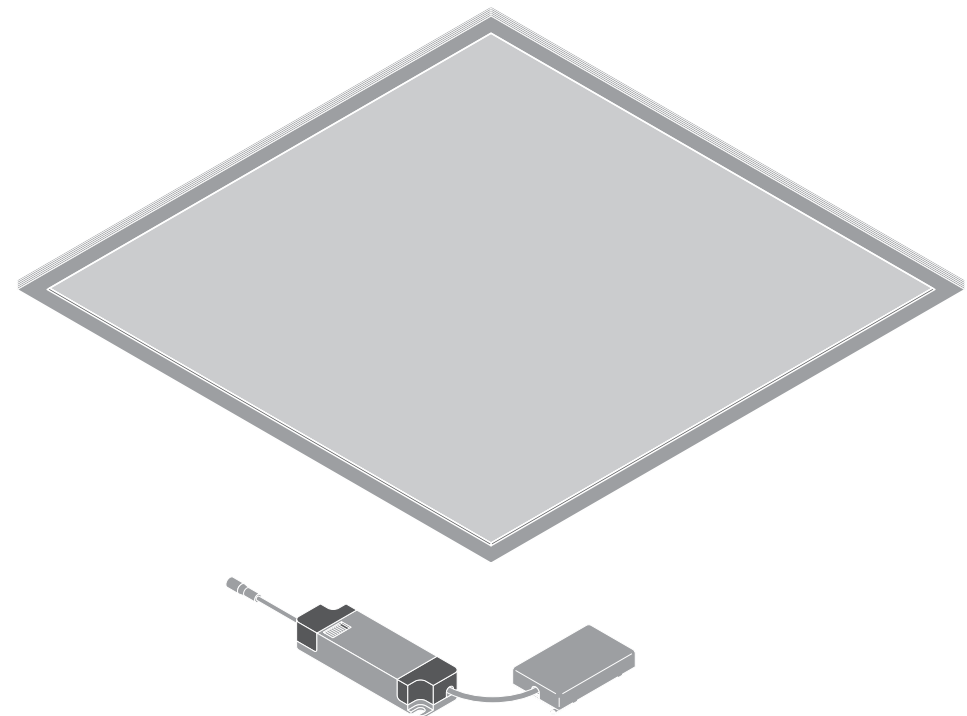


LEDVANCE GmbH
 Steinerne Furt 62
 86167 Augsburg, Germany
www.ledvance.com

LEDVANCE Ltd, Aquila House
 Delta Crescent, Westbrook, Warrington
 WA5 7NR, United Kingdom

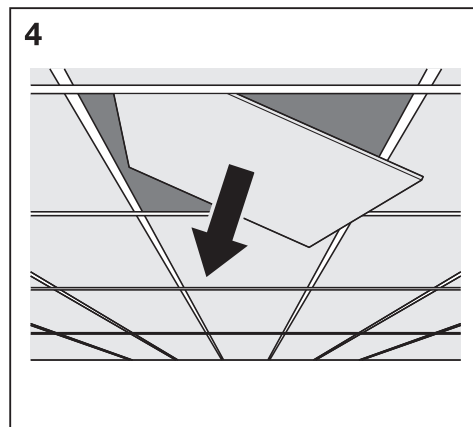
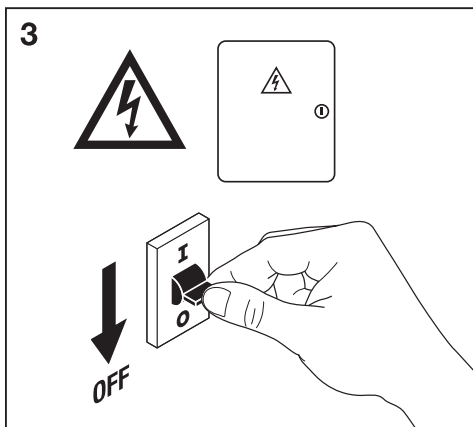
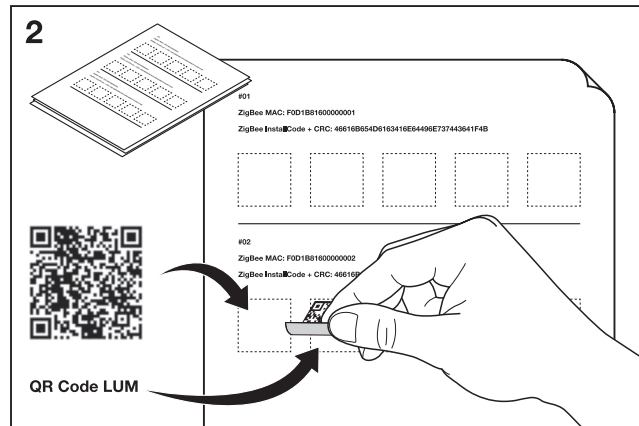
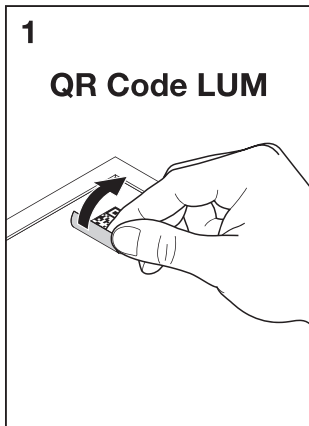
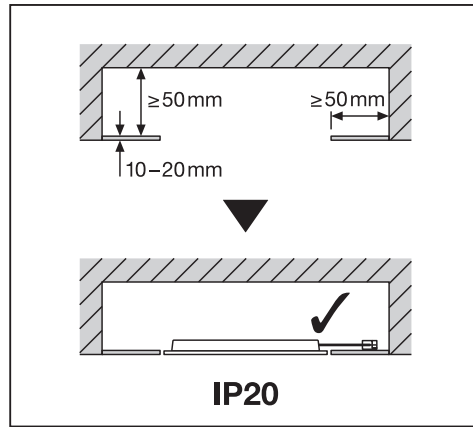
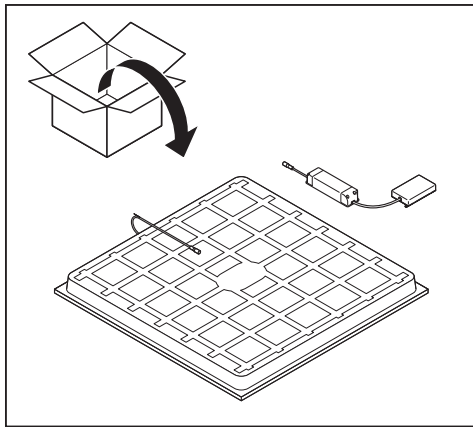
BIOLUX HCL PANEL 600 ZIGBEE

BIOLUX HCL PANEL 625 ZIGBEE

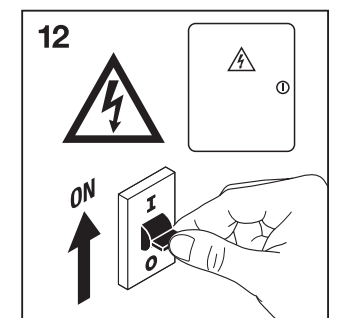
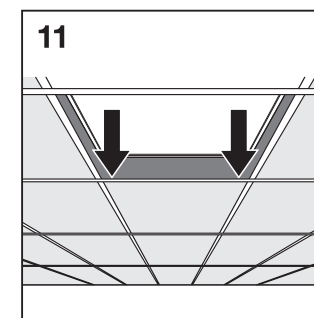
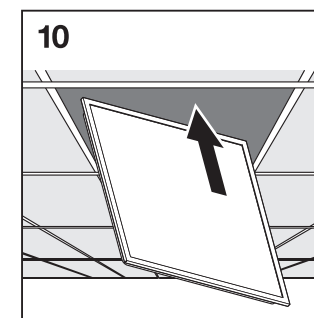
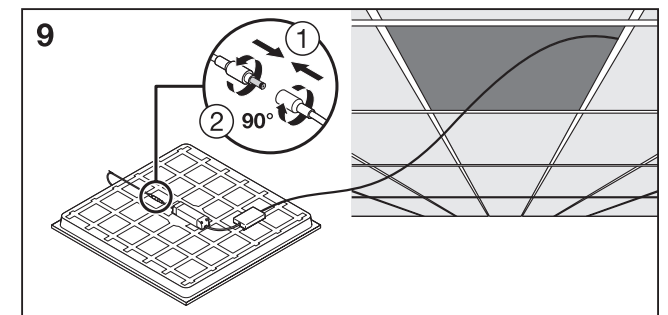
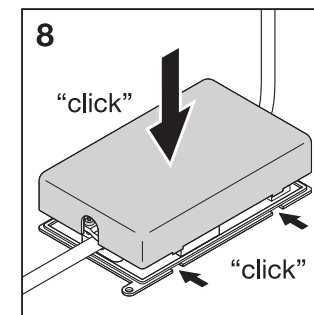
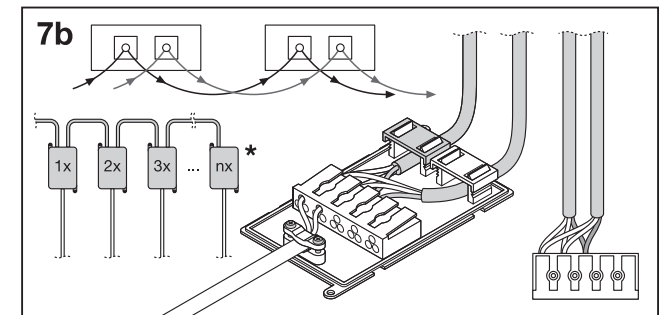
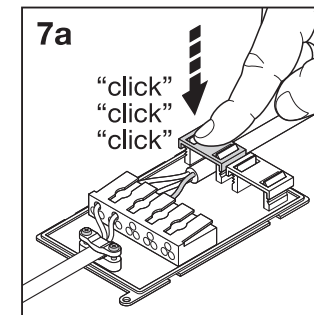
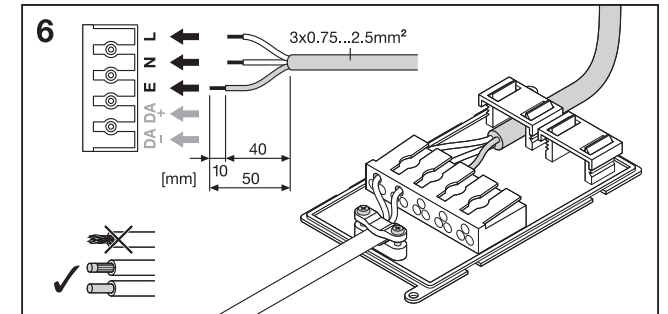
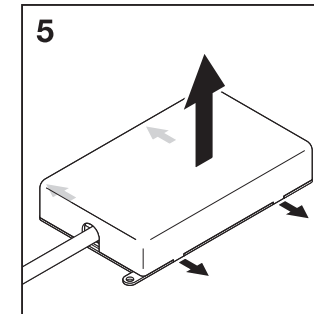


	EAN	I x w x h [mm]	W	V _{AC}	Hz	l _m	l _m /W	K
BIOLUX HCL PL 600 S 40W TW ZB	4058075724549	595x595x11	40	220-240 V	50/60 Hz	4400	110	2700 - 6500
BIOLUX HCL PL 625 S 40W TW ZB	4058075724563	620x620x11	40	220-240 V	50/60 Hz	4400	110	2700 - 6500

	EAN	IP	IK	∇	R _a	∫ (°C)	PF	⚖
BIOLUX HCL PL 600 S 40W TW ZB	4058075724549	20	02	90°	≥90	-20...+40	> 0.9	3.1 kg
BIOLUX HCL PL 625 S 40W TW ZB	4058075724563	20	02	90°	≥90	-20...+40	> 0.9	3.4 kg



2



3