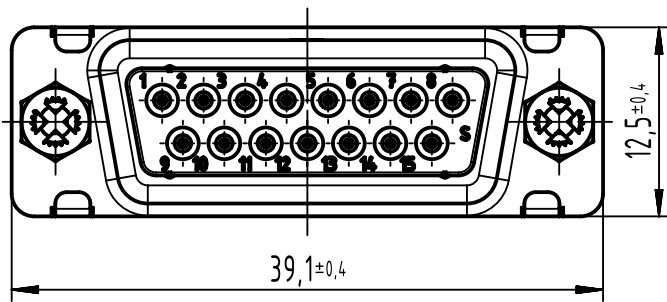
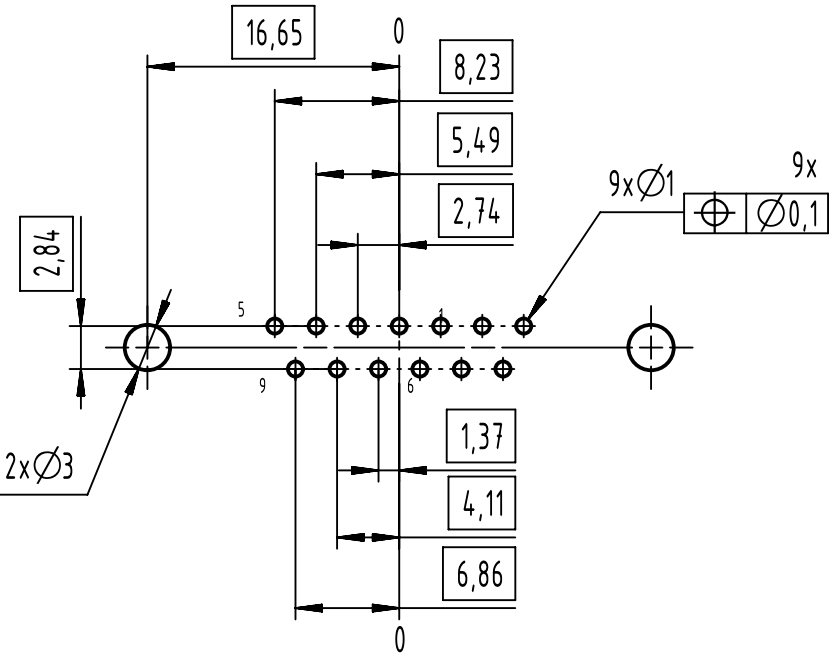
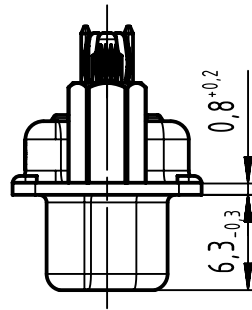
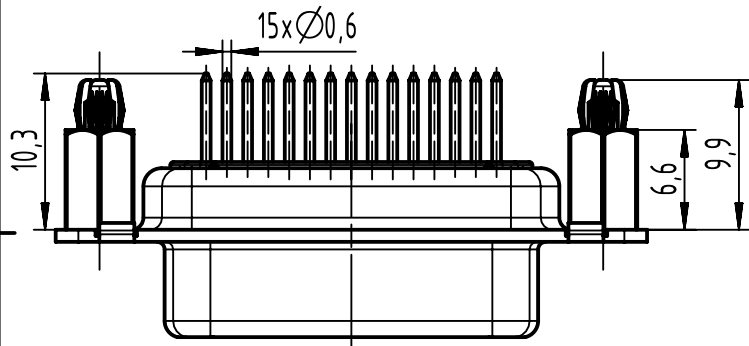


PCB hole patterns,
recommended thickness 1,6



	All dimensions in mm Original Size DIN A4	Scale 2:1	Free size tol.		Ref.
	All rights reserved Department EL PD	Created by ZHUANGJ	Inspected by LUOK	Standardisation ROEBEN	Date 2022-10-29
HARTING D-32339 Espelkamp	Title MIN D FE 15p STR S4 with 4-40 UNC spacer				Doc-Key / ECM-Nr. 101036188/UGD/000/A 500000228663
		Type TB	Number 09670159072		Rev. A Page 1/1