

Wall mounting socket outlet, fused - housing dimension 170x90, with mounting rail

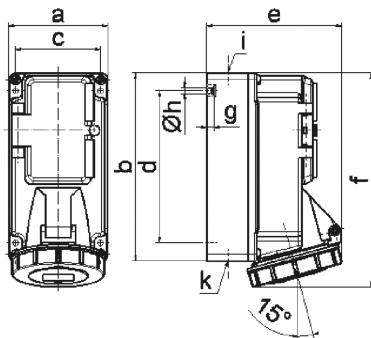


Product description	
BALS-Prd.-Nr	15100
EAN	4024941151009
product category (PG)	Quick-Connect TE wall mounting socket outlet, fused
current (A)	16A
number of poles (P99)	5p
number of poles (P)	3p+N+PE
position of earth contact (H)	6 h
voltage (V)	200/346 up to 240/415V

Product description	
frequency (HZ)	50 and 60Hz
protection degree (SA)	IP67
colour code 1 (KF1)	red RAL 3000
Colour of appliance	Operating window smoky topaz, Hinged lid red RAL 3000, Bayonet ring grey RAL 7035, Housing bottom grey RAL 7035, Housing top grey RAL 7035
connection design (AT)	screwless spring terminals as cage clamp with Kontex-contact
maximum conductor size (LQ)	4,0 qmm
cable entry (KE)	top entry M20 bottom entry M25/20
Height	195mm
Width	90mm
Depth	123mm
dimension of enclosure (GG)	170x90 mm (HxW)
material of enclosure (GM)	Polycarbonate
contact	The contact carrier is made of high temperature resistant material, the contacts are brass nickel plated

Additional technical properties	
	The cable entry is one at top open and two at bottom closed
	Lower part of housing rotatable by 180°
	With mounting rail for 5 modules, vertical, With mounting rail, Protective cover for fuses with stamping

Logistics data	
Weight/pcs	0.58 kg / Piece
Packaging	Carton
Content amount	1 ST
EAN	4024941151009
Length	205 mm
Width	102 mm
Height	134 mm
Weight	0.64 kg
Volume	2,118.48 ccm



14 MB 6

Ampere	16	16	16			
Polzahl	3	4	5			
a	90,0	90,0	90,0			
b	170,0	170,0	170,0			
c	77,0	77,0	77,0			
d	137,5	137,5	137,5			
e	108,0	115,0	121,0			
f	191,5	191,5	191,5			
g	6,0	6,0	6,0			
h ø	5,5	5,5	5,5			
i	M20	M20	M20			
k	M20/25	M20/25	M20/25			