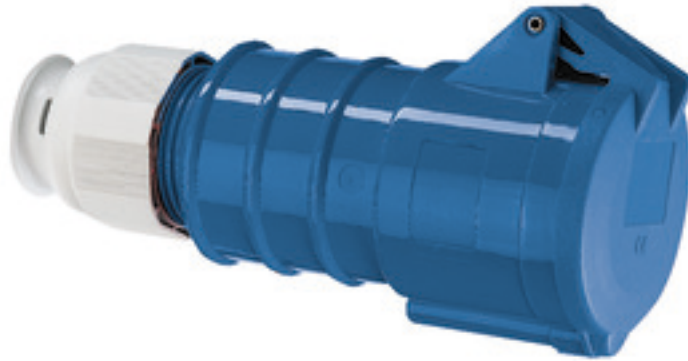


Connector - with screw terminals one piece housing

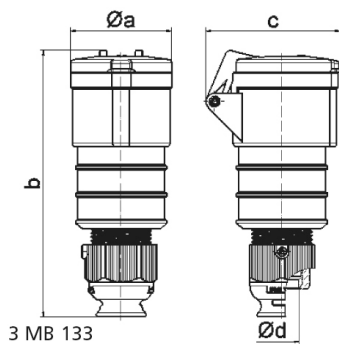


Product description	
BALS-Prd.-Nr	310381
EAN	4024941108669
product category (PG)	Connector
current (A)	32A
number of poles (P99)	7p
number of poles (P)	6p+PE
position of earth contact (H)	9 h
voltage (V)	230V
frequency (HZ)	50 and 60Hz

Product description	
protection degree (SA)	IP44
colour code 1 (KF1)	blue RAL 5015
Colour of appliance	Enclosure blue RAL 5015, Hinged lid blue RAL 5015, Cable gland grey RAL 7035
connection design (AT)	with screw terminal
maximum conductor size (LQ)	6,0 qmm
cable entry (KE)	Cable gland
Height	199mm
Width	72mm
Depth	99mm
material of enclosure (GM)	Polyamide
contact	The contact carrier is made of polyamide, The contacts are brass

Logistics data	
Weight/pcs	0.394 kg / Piece
Packaging	Bag
Content amount	1 ST
EAN	4024941108669
Length	99 mm
Width	72 mm
Height	199 mm
Weight	0.395 kg

Logistics data	
Volume	1,418.472 ccm
Packaging	Carton
Content amount	10 ST
EAN	4024941959063
Length	325 mm
Width	217 mm
Height	210 mm
Weight	4.146 kg
Volume	13,588.4 ccm



Ampere	16	32						
Polzahl	7	7						
a ø	65,0	72,0						
b	168,0	198,0						
c	86,0	99,0						
d ø	21,0	27,0						
Leiter mm ² min	1	2,5						
Leiter mm ² max	2,5	6						