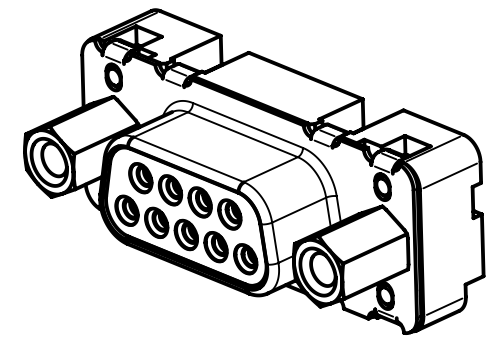
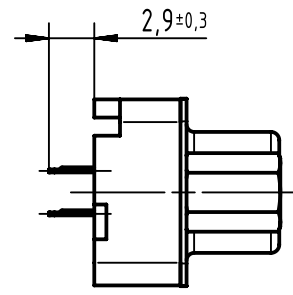
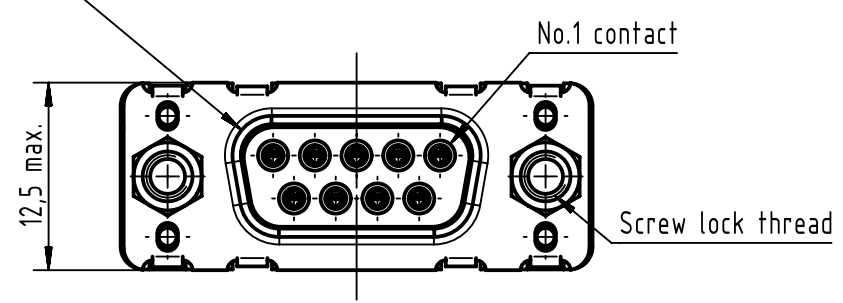
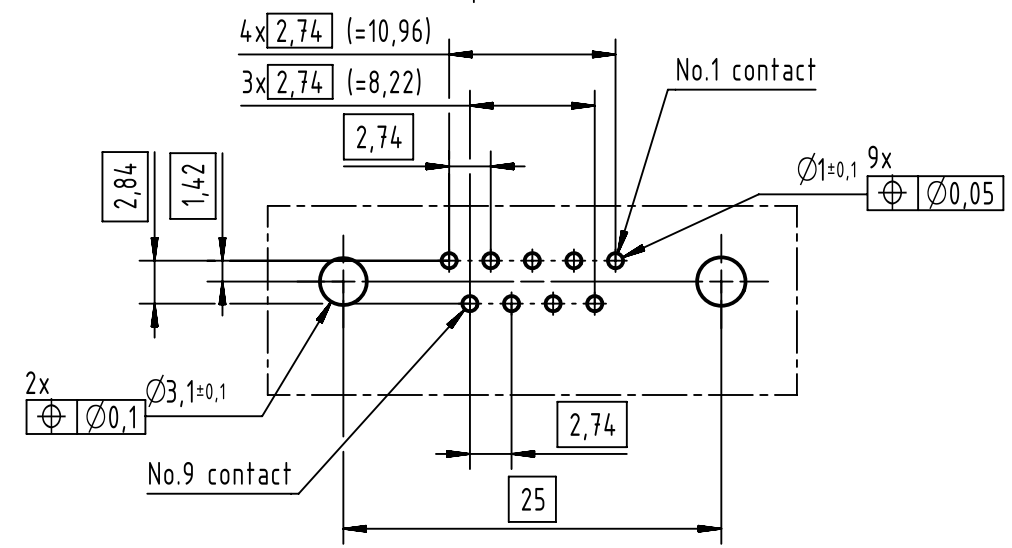
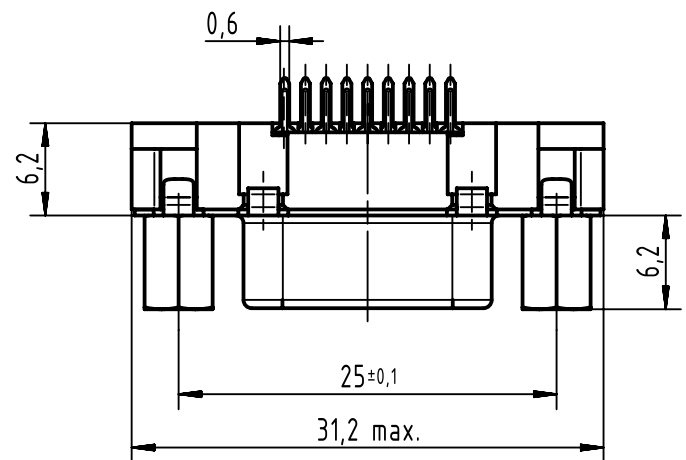


1 2 3 4 5 6

Mating face according to: MIL-C24308/DIN 41652/ CECC 75301-802



Printed board layout component side



	All rights reserved		Scale 2:1		Free size tol.		Ref.			
	Department EC PD - CN		Created by ZHUANGJ		Inspected by LUOK		Standardisation HOFFMANN			
HARTING Electronics GmbH			Title D-Sub str fem 09-pole HT with solder pin & screw lock				Date 2017-06-01		State Final Release	
D-32339 Espelkamp			Type TB				Number 0966115X503		Doc-Key / ECM-Nr. 100727223/UGD/000/A 500000120267	
							Rev. A		Page 1/1	

D	0966 115 5503	4-40 UNC	S4
	0966 115 6503	4-40 UNC	2
	0966 115 7503	4-40 UNC	3
	Part number	Screw lock thread	Performance level