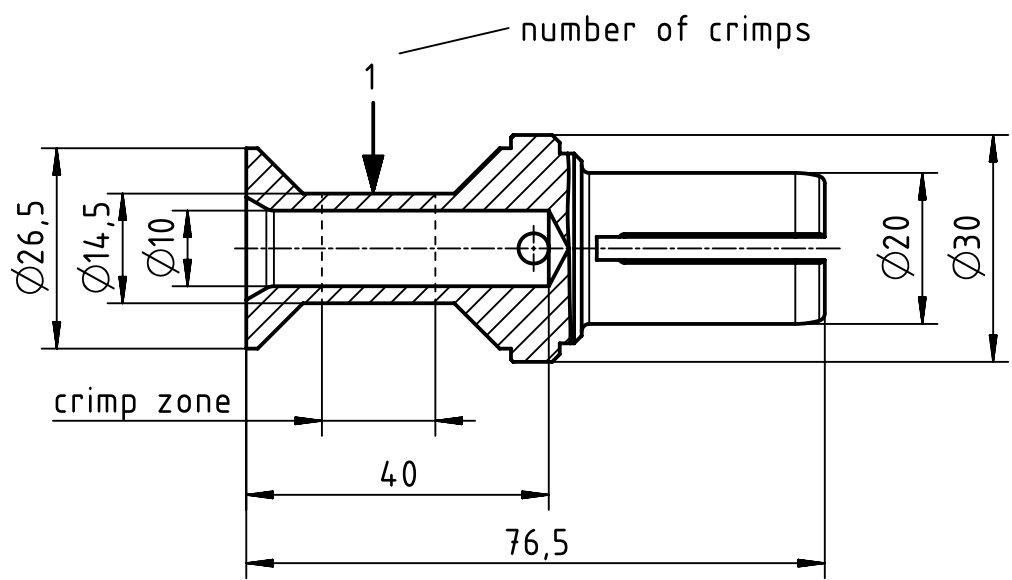


A

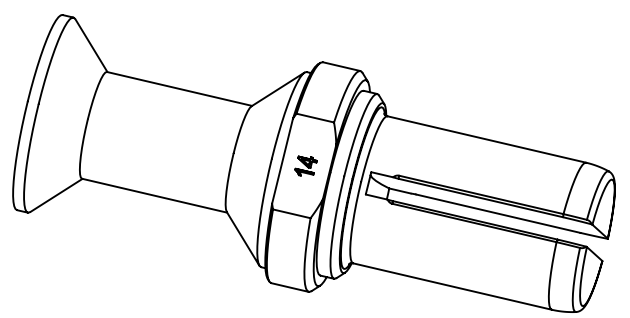
B

C

D



assembly notes see catalog
 crimp zone acc. to DIN EN 46235; indicator 14
 for stranded fine wire acc. to VDE 0295 class5/ IEC 60228 class 5
 wire gauge: 50mm²
 stripping length: 42mm



	All Dimensions in mm Original Size DIN A4	Scale	Free size tol.		Ref.	
		1:1			Sub.	
	All rights reserved Department EL PD	Created by	Inspected by	Standardisation	Date	State
		100887	NICHTERLEIN	SAP_WFRT	2022-05-18	Final Release
HARTING D-32339 Espelkamp		Title Han TC650 male contact 50mm ²				Doc-Key / ECM-Nr. 100870039/UGD/002/B 500000217927
		Type	Number		Rev.	Page
		TB	09 11 000 6561		B	1/1