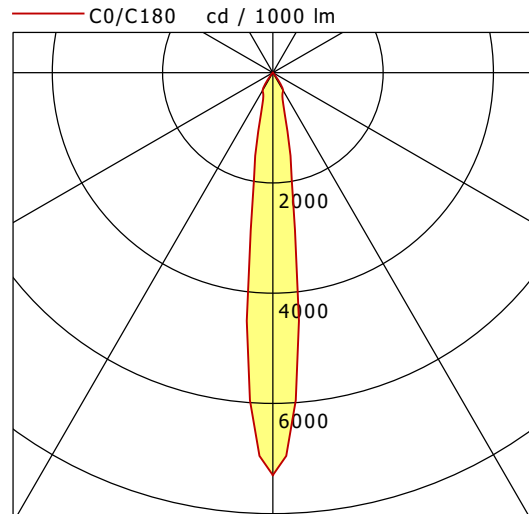


BTN-P 301.30.15.3/DALI

Button 300 Pendant (1xLED 14W 830/3000K 1410lm 15 °)



	C0	C90	C180	C270
0°	7301	7301	7301	7301
15°	920	920	920	920
30°	373	373	373	373
45°	11	11	11	11
60°	12	12	12	12
75°	3	3	3	3
90°	0	0	0	0
cd / 1000 lm				

Offset [m] Cone width [m] Illuminance [lx]

Offset [m]	Cone width [m]	Illuminance [lx]
C0-C180 Plane		
3.0	0.73	1143.8
6.0	1.46	286.0
9.0	2.20	127.1
12.0	2.93	71.5
15.0	3.66	45.8

η	LED
Efficiency	101 lm/W
Direct/Indirect	↓ 100% / ↑ 0%
System Power	14 W
UGR	X=4H, Y=8H
Reflection factors	70/50/20
UGR C0/C180	16.8
UGR C90/C270	16.8
CIE Flux Codes	97 99 100 100 100
Ra/CRI	> 80