

1

2

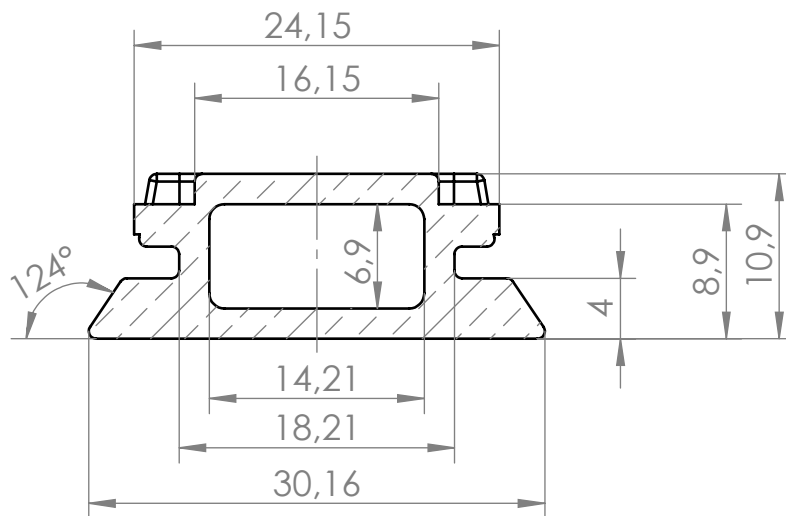
3

4

A

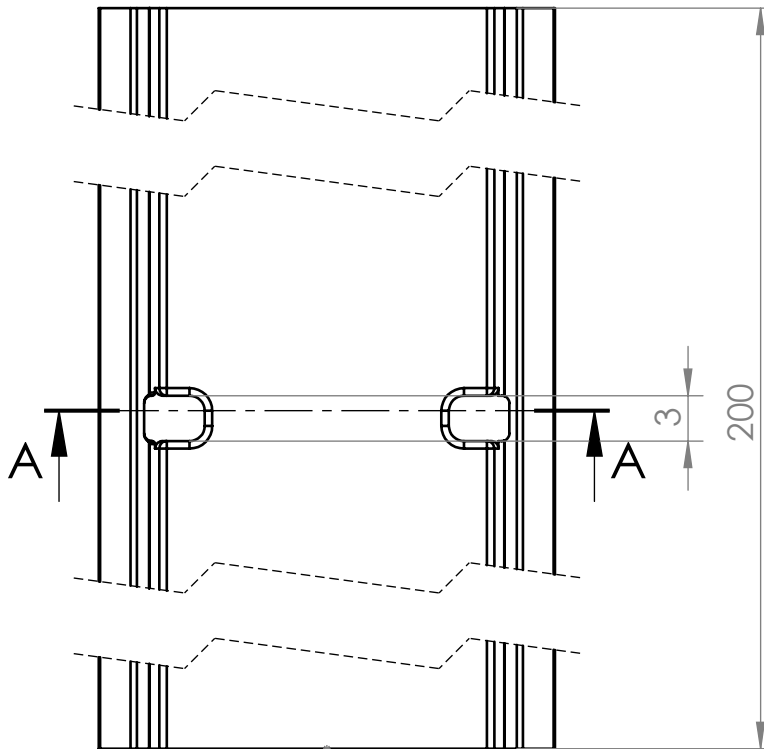
Section A-A

B

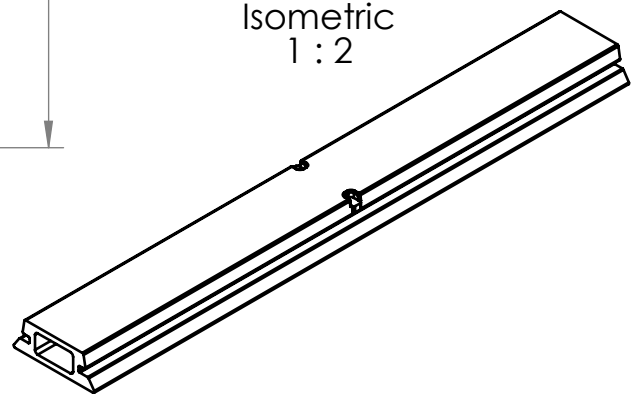


C

D



E

Isometric
1 : 2

K2 Systems GmbH
Industriestr. 18
71272 Renningen
Germany
+49 7159 42059-0

Designation:

Data sheet
InsertionRail 2.0
RailConnector

F

Name	Date	Material:	Item no.:	A4
Designed E. Markou	21.04.2023	EN AW 6063 T66	2004355	
Approved M. Aydemir	13.12.2023	Surface: mill finish	Drawing no.: 01-376-01	All dimensions in mm
Last change E. Markou	13.12.2023	Weight: ca. 88 g/pc	Scale: 2:1	Sheet 1 of 1

This drawing is the sole property of K2 Systems GmbH. It is protected by copyright and may only be copied, reproduced or distributed to a third party with explicit permission!