

## Wall mounting socket outlet - housing dimensions 80x70



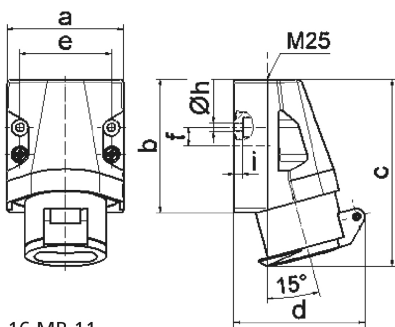
| Product description       |  |
|---------------------------|--|
| BALS-Prd.-Nr              | 419  |
| EAN                       | 4024941004190                                  |
| Product category          | Wall mounting socket outlet, extra-low voltage |
| Current                   | 16A  |
| Number of poles           | 3p   |
| Poles                     | 3P   |
| Position of earth contact | 2 h  |
| Voltage                   | 20 up to 25 and 40 up to 50V                   |
| Frequency                 | 300Hz  |

| Product description    |  |
|------------------------|--|
| Protection degree      | IP44   |
| Colour code            | green RAL 6002   |
| Colour of appliance    | Hinged lid green RAL 6002, Housing bottom grey RAL 7035, Housing top grey RAL 7035, Collar grey RAL 7035 |
| Connection design      | with screw terminal  |
| Maximum conductor size | 10,0 qmm   |
| Cable entry            | top entry M25  |
| Height                 | 113mm  |
| Width                  | 70mm   |
| Depth                  | 79mm   |
| Dimension of enclosure | 80x70 mm (HxW)   |
| Material of enclosure  | Polyamide  |
| Contact                | The contact carrier is made of polyamide, the contacts are brass nickel plated                           |

| Additional technical properties |                                    |
|---------------------------------|------------------------------------|
|                                 | The cable entry is one at top open |

| Logistics data |                |
|----------------|----------------|
| Weight/pcs     | 0.2 kg / Piece |
| Packaging      | Carton         |
| Content amount | 10 ST          |
| EAN            | 4024941836456  |

| Logistics data |           |
|----------------|-----------|
| Length         | 245 mm    |
| Width          | 177 mm    |
| Height         | 185 mm    |
| Weight         | 2.133 kg  |
| Volume         | 7,140 ccm |



| Ampere                     | 16    | 16    | 32    | 32    |  |  |  |
|----------------------------|-------|-------|-------|-------|--|--|--|
| Polzahl                    | 2     | 3     | 2     | 3     |  |  |  |
| a                          | 70,0  | 70,0  | 70,0  | 70,0  |  |  |  |
| b                          | 80,0  | 80,0  | 80,0  | 80,0  |  |  |  |
| c                          | 113,0 | 113,0 | 113,0 | 113,0 |  |  |  |
| d                          | 80,0  | 80,0  | 80,0  | 80,0  |  |  |  |
| e                          | 55,0  | 55,0  | 55,0  | 55,0  |  |  |  |
| f                          | 11,0  | 11,0  | 11,0  | 11,0  |  |  |  |
| h ø                        | 5,2   | 5,2   | 5,2   | 5,2   |  |  |  |
| i                          | 5,0   | 5,0   | 5,0   | 5,0   |  |  |  |
| Leiter mm <sup>2</sup> min | 4     | 4     | 4     | 4     |  |  |  |
| Leiter mm <sup>2</sup> max | 10    | 10    | 10    | 10    |  |  |  |
|                            |       |       |       |       |  |  |  |
|                            |       |       |       |       |  |  |  |