

## Wall mounting socket outlet, switched, interlocked and fused - housing dimensions 365x134, with mounting rail

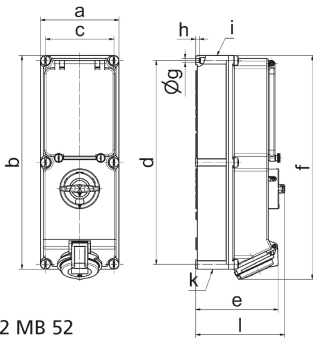


| Product description       |   |
|---------------------------|---|
| BALS-Prd.-Nr              | 17169   |
| EAN                       | 4024941171694   |
| Product category          | Wall mounting socket outlet, switched, interlocked, fused |
| Current                   | 32A   |
| Number of poles           | 4p  |
| Arrangement of phases     | 3P+PE   |
| Position of earth contact | 7 h   |
| Voltage                   | 480 - 500V~   |

| Product description    |  |
|------------------------|--|
| Frequency              | 50/60Hz  |
| Protection degree      | IP44   |
| Colour code            | black RAL 9005   |
| Colour of appliance    | Hinged lid black RAL 9005, Operating window smoky topaz, Housing screws grey RAL 7035, Housing bottom grey RAL 7035, Housing top grey RAL 7035, Control knob grey RAL 7035 |
| Connection design      | screwless spring terminals as cage clamp with Kontex-contact   |
| Maximum conductor size | 10,0 qmm   |
| Cable entry            | top entry M40/M32 bottom entry M40/32  |
| Height                 | 391mm  |
| Width                  | 134mm  |
| Depth                  | 153mm  |
| Dimension of enclosure | 365x134 mm (HxW)   |
| Material of enclosure  | Polycarbonate  |
| Contacts               | The contact carrier is made of high temperature resistant material, the contacts are brass nickel plated   |

| Additional technical properties |  |
|---------------------------------|--|
|                                 | cable entry two at top and two at bottom (open)                    |
|                                 | In 0-position lockable for 3 padlocks with bow diameter up to 7 mm |
|                                 | With mounting rail, With mounting rail for 6 modules, vertical     |

| Logistics data |                |
|----------------|----------------|
| Weight/pcs     | 1.9 kg / Piece |
| Packaging      | Carton         |
| Content amount | 1 ST           |
| EAN            | 4024941171694  |
| Length         | 387 mm         |
| Width          | 222 mm         |
| Height         | 150 mm         |
| Weight         | 2.093 kg       |
| Volume         | 11,029.5 ccm   |



| Ampere Polzahl             | 16<br>3 | 16<br>4 | 16<br>5 | 32<br>3 | 32<br>4 | 32<br>5 |
|----------------------------|---------|---------|---------|---------|---------|---------|
| a                          | 134,0   | 134,0   | 134,0   | 134,0   | 134,0   | 134,0   |
| b                          | 365,0   | 365,0   | 365,0   | 365,0   | 365,0   | 365,0   |
| c                          | 117,0   | 117,0   | 117,0   | 117,0   | 117,0   | 117,0   |
| d                          | 348,0   | 348,0   | 348,0   | 348,0   | 348,0   | 348,0   |
| e                          | 129,0   | 135,0   | 141,0   | 146,0   | 146,0   | 152,0   |
| f                          | 384,0   | 382,0   | 382,0   | 391,0   | 391,0   | 391,0   |
| g ø                        | 6,5     | 6,5     | 6,5     | 6,5     | 6,5     | 6,5     |
| h                          | 8,0     | 8,0     | 8,0     | 8,0     | 8,0     | 8,0     |
| i                          | M25/20  | M32/25  | M32/25  | M40/32  | M40/32  | M40/32  |
| k                          | M25/20  | M32/25  | M32/25  | M40/32  | M40/32  | M40/32  |
| l                          | 156,0   | 156,0   | 156,0   | 156,0   | 156,0   | 156,0   |
| Leiter mm <sup>2</sup> min | 1,5     | 1,5     | 1,5     | 2,5     | 2,5     | 2,5     |
| Leiter mm <sup>2</sup> max | 4       | 4       | 4       | 10      | 10      | 10      |