

1 2 3 4 5 6

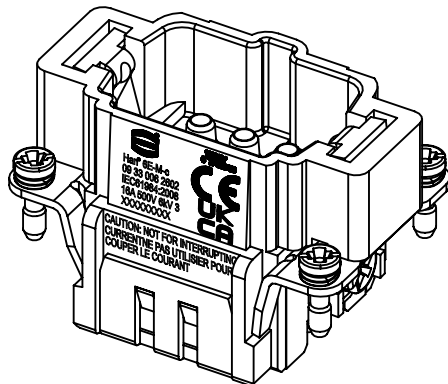
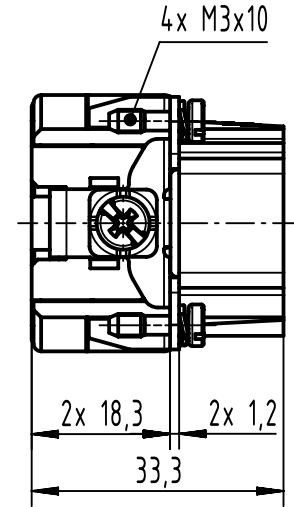
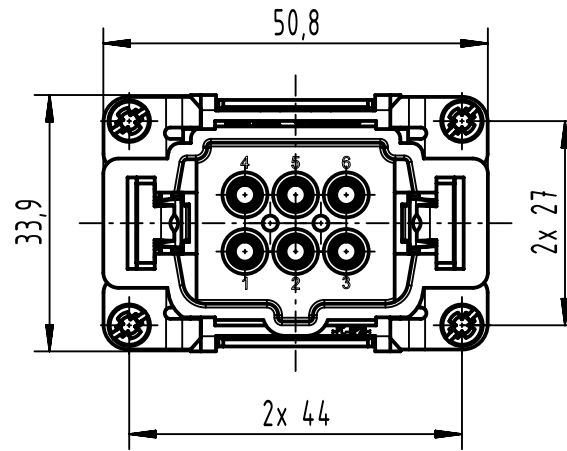
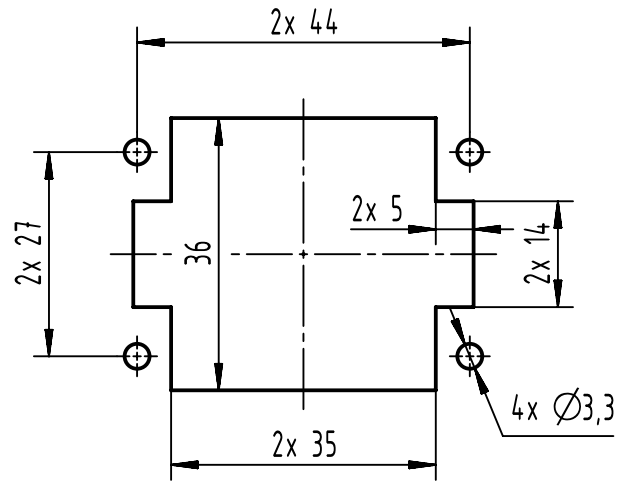
A

B

C

D

panel cut out



	All Dimensions in mm Original Size DIN A4		Scale	Free size tol.		Ref.	
	All rights reserved Department EL PD		1:1			Sub.	
HARTING D-32339 Espelkamp		Created by	Inspected by	Standardisation	Date	State	
		HOLLERT	SCHNIEDER		2022-07-21	Final Release	
		Title				Doc-Key / ECM-Nr.	
		Han 6E insert male crimp				100088996/UGD/006/G 500000219871	
		Type	Number			Rev.	Page
		TB	09 33 006 2602			G	1/1