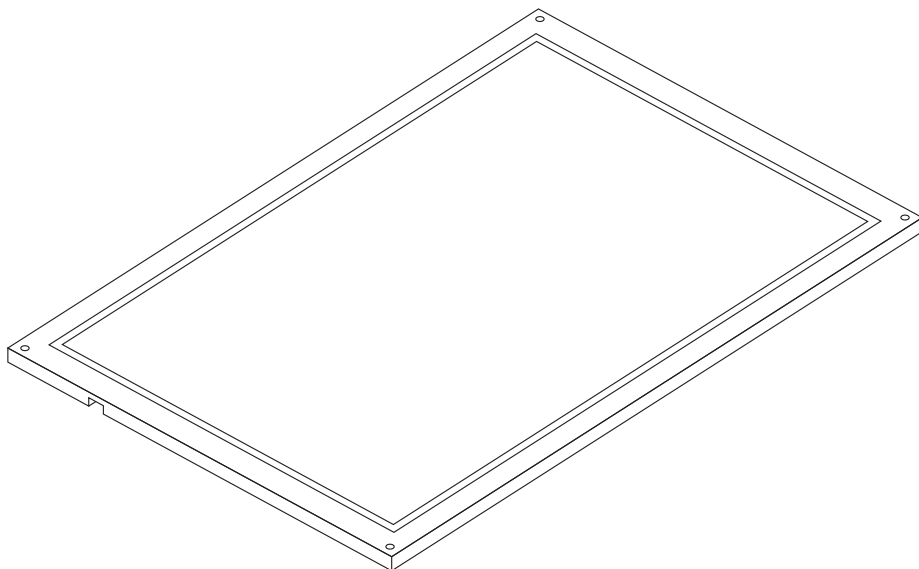
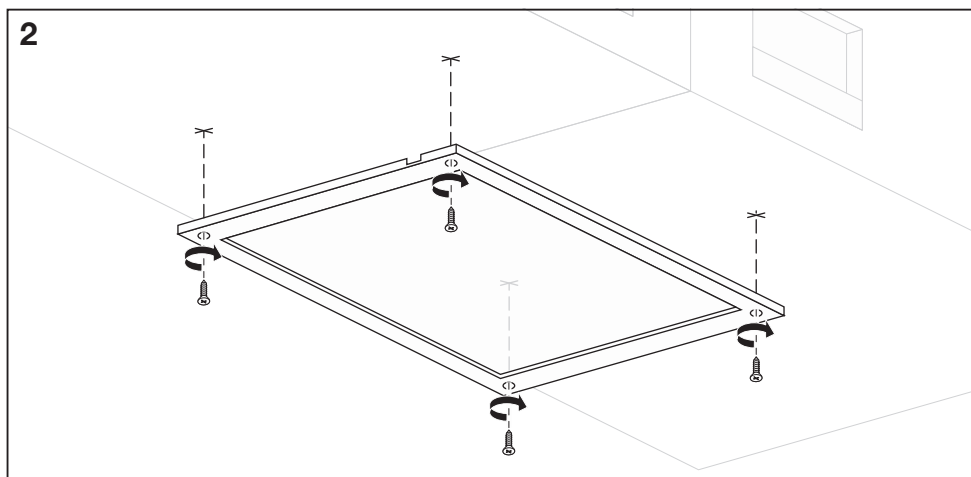
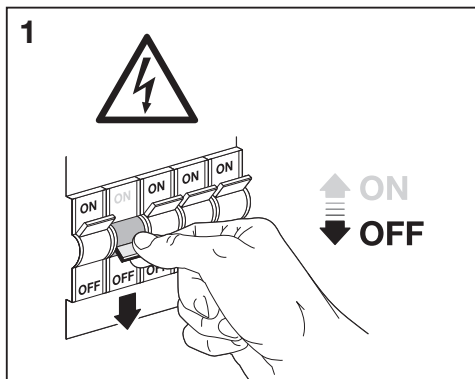
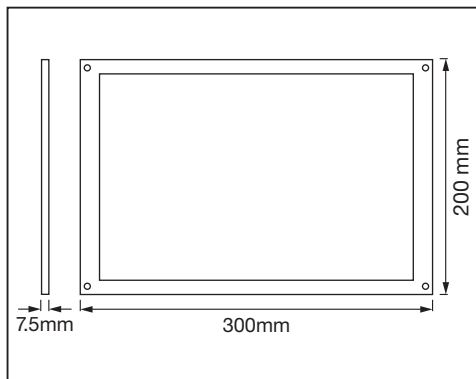
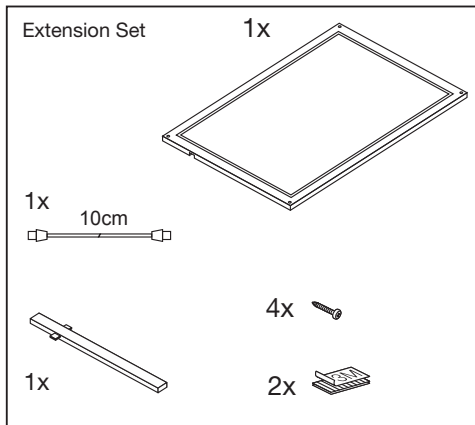
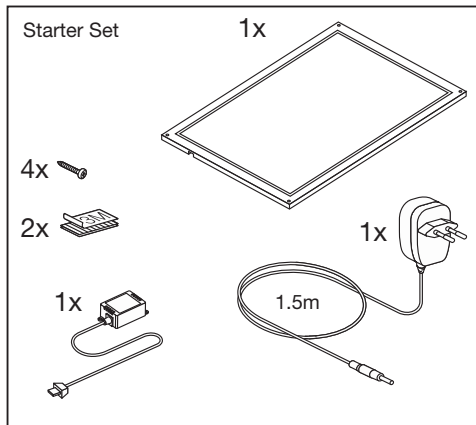


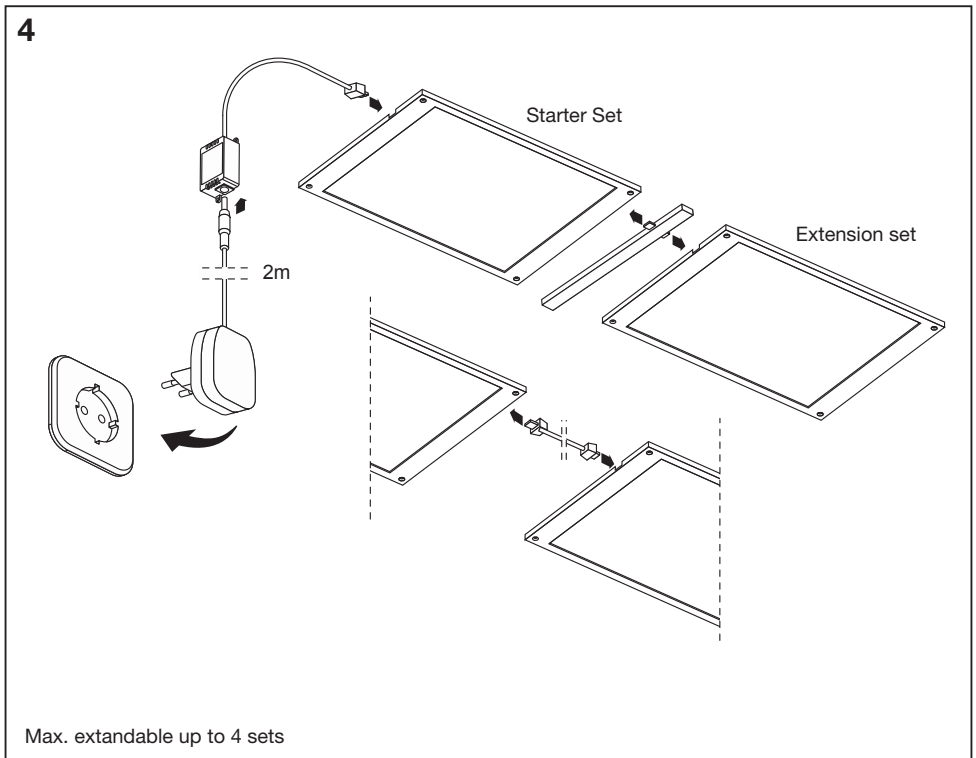
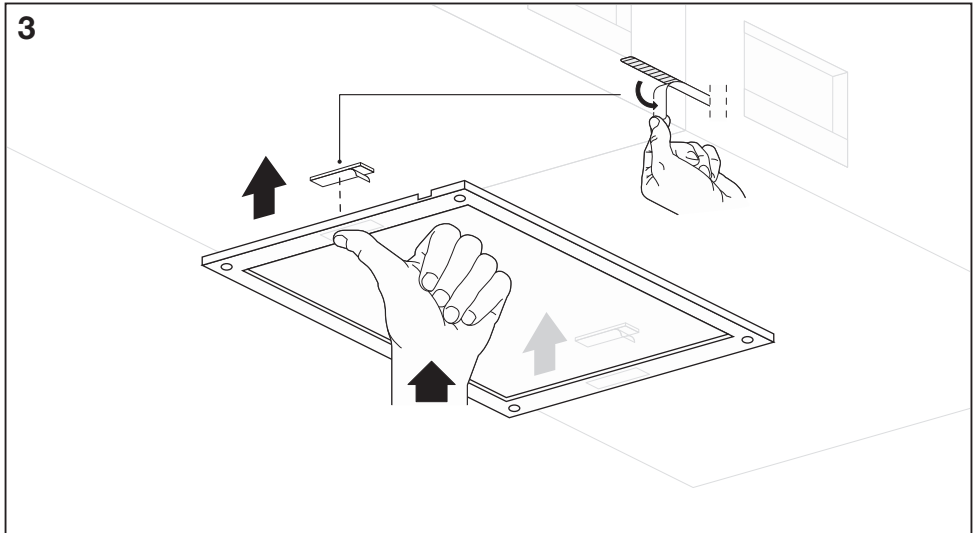




SMART⁺ WIFI UNDERCABINET

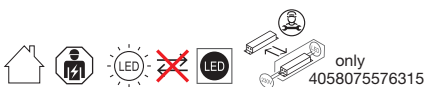


	EAN	W	lm	K	Class	IP	θ_{amb} (°C)	Input	mA	DF
SMART WIFI UNDERCABINET 30X20 TW	4058075576315	8	530	2700-6500	II	20	-20...+40	220-240V~ 50/60Hz	52	≥0.5
SMART WIFI UNDERCABINET 30X20 EXTTW	4058075576339	6.5	530	2700-6500	III	20	-20...+40	24V DC	272	≥0.5





	EAN	This product contains a light source of energy efficiency class	Contained Light Source
SMART WIFI UNDERCABINET 30X20 TW	4058075576315	F	Contains 2 light sources 
SMART WIFI UNDERCABINET 30X20 EXTTW	4058075576339	F	Contains 2 light sources 



C10449057
G11120855
28.06.2021



LEDVANCE GmbH
Steinerne Furt 62
86167 Augsburg, Germany
www.ledvance.com