

## MATRIC F5 | SYSTEM 81MM RECESSED FRAME

### 1. MONTAGE UND INSTALLATION | MOUNTING AND INSTALLATION:

First diffuser removal

PULL

1. Bei allen Montagearbeiten Handschuhe tragen.  
 Use gloves when handling the fixture.

Diffuser removal

CREDIT CARD

LED insets locking system

The foil inserted into the Microprismatic screen has a diffusion function - do not remove it!

PULL

2. All LED gear trays are numbered and the numbering starts from the cable entry side. In non-standard luminaires the numbering of LED gear trays is made in accordance with technical drawings.  
 Avoid touching the strip - connectors because they can break off under excess handling.

L3[mm]

87

3.

Opal/Microprismatic		Louvre	
L1[mm]	L2[mm]	L1[mm]	L2[mm]
615	607	1021	1013
905	897	1272	1264
1198	1190	1523	1515
1490	1482	1773	1765
1780	1772	2024	2016
2075	2067		
2365	2357		
2945	2937		

4.

L4

L5

100

min L4

L4[mm]	L5[mm]
140	12 - 28

5.

Unlocked

Locked

6. Luminaire not suitable for covering with thermally insulating material.

7.

- min/max stripped wire length: 7mm-10mm

- max power supply cable: 1,5mm<sup>2</sup>

CLICK!

CLICK!

CLICK

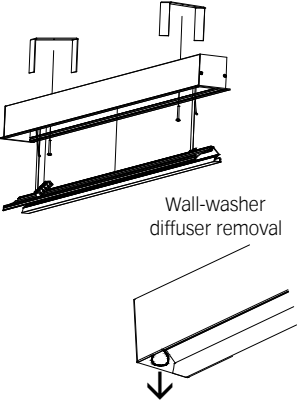
Louvre installation

8. Maximum current load allowed for through-wiring is 13A.  
 Non-user replaceable light source.

The light source contained in this luminaire shall only be replaced by the manufacturer or his service agent or a similar qualified person.

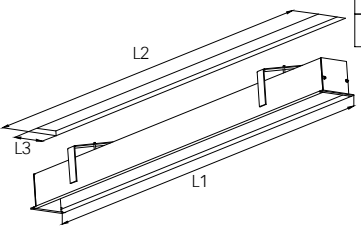
## MATRIC F5 | SYSTEM 81MM RECESSED FRAME WALLWASHER

### 1. MONTAGE UND INSTALLATION | MOUNTING AND INSTALLATION:



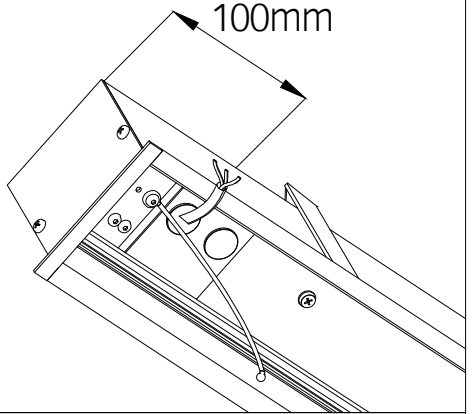
Wall-washer  
diffuser removal

1. Bei allen Montagearbeiten Handschuhe tragen.  
 Use gloves when handling the fixture.

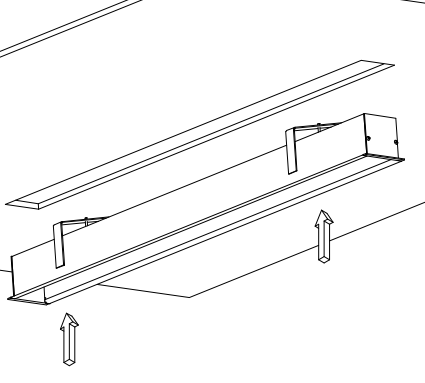


L1[mm]	L2[mm]	L1[mm]	L2[mm]
615	607	1780	1772
905	897	2075	2067
1198	1190	2365	2357
1490	1482	2945	2937

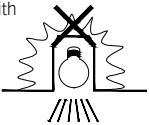
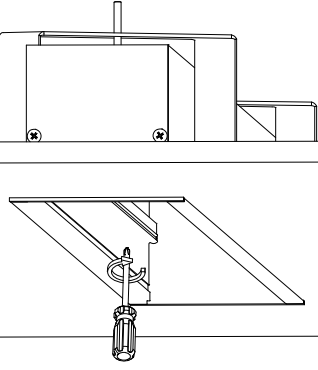
2.



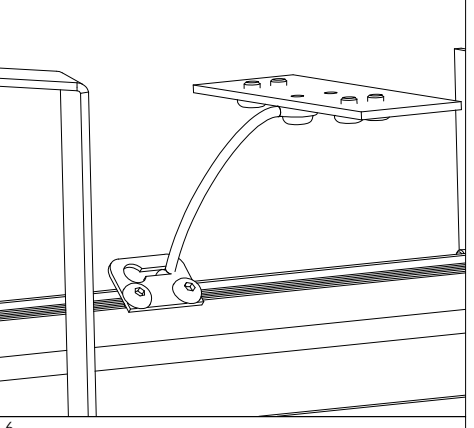
3.



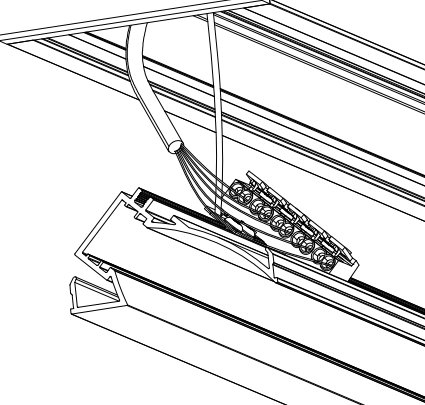
4. Luminaire not suitable for covering with thermally insulating material.

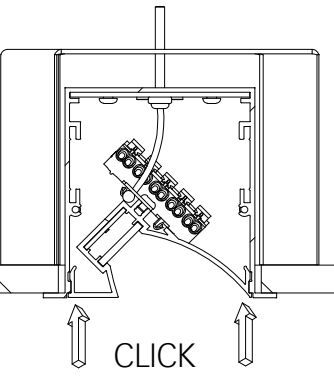
5.



6.



7.



8. Maximum current load allowed for through-wiring is 13A.  
 Non-user replaceable light source.

The light source contained in this luminaire shall only be replaced by the manufacturer or his service agent or a similar qualified person.