

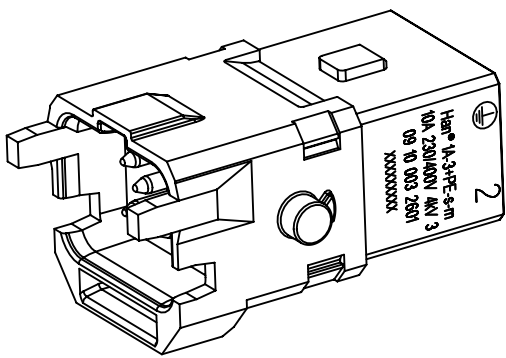
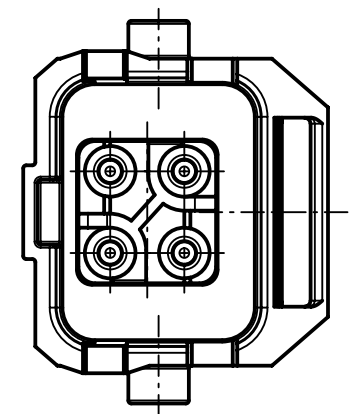
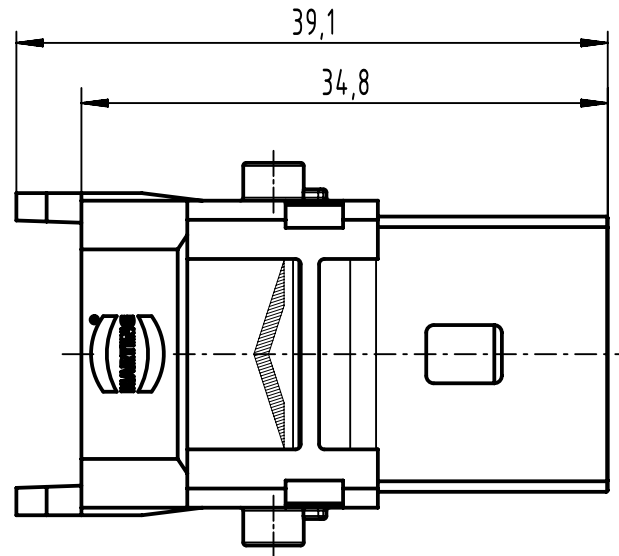
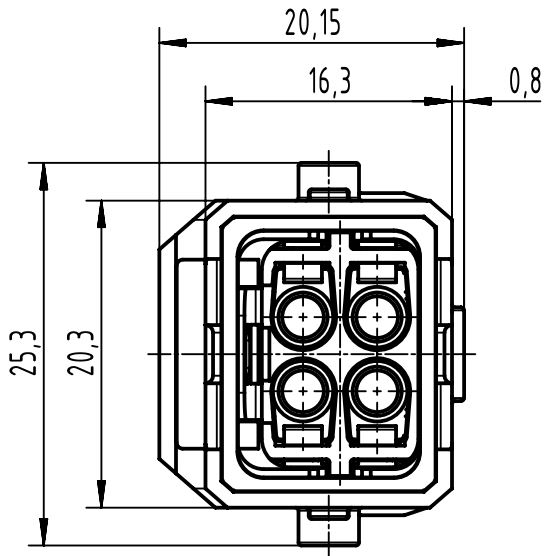
1 2 3 4 5 6

A

B

C

D



	All Dimensions in mm Original Size DIN A4		Scale 2:1	Free size tol.	Ref.
			Created by HOLLERT	Inspected by HERBRECHTSME	Standardisation
All rights reserved Department EL PD		Title Han 1A-3+PE-s-m latch		Date 2021-09-27	State Final Release
HARTING D-32339 Espelkamp		Type TB		Number 09 10 003 2601	Doc-Key / ECM-Nr. 100740254/UGD/001/E 500000202629
				Rev. E	Page 1/1