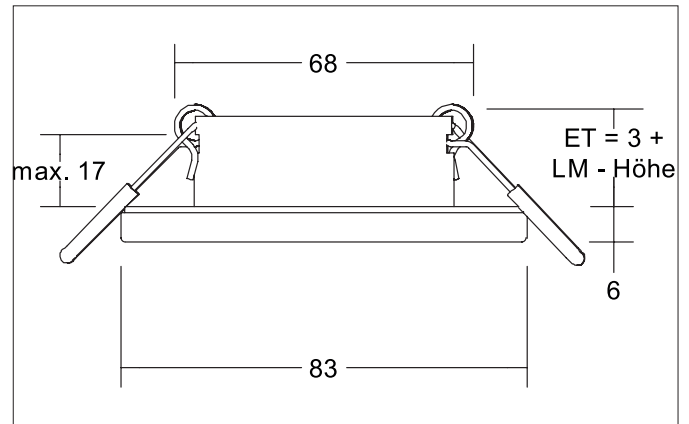


PROTECT-R Recessed downlight, IP44, without LED module

Article no. 20043170

Light.
For Generations.**Tender**

Recessed downlight, IP44, without LED module, white structure, Round. In a compact design, for installation in tool-less rapid assembly systems. All Brumberg MR16 LED modules can be used for the PROTECT recessed unit. The installation depth of the luminaire depends on the LED module used (here: 3 mm, plus height of the LED module). The LED module is not included in the scope of delivery of the installation unit. Mounting method: Recessed mounting, Place of installation: Ceiling-mounted, Material: Aluminium / Glass, Degree of protection: according to DIN EN 60529 IP44, Protection class: (EN 61140) III, Power: 14W, Adjustability: Not adjustable, With control gear: No, Control: Dimming depending on driver.

| Article data | |
|-------------------|--|
| Article no. | 20043170 |
| GTIN | 4251433981268 |
| Series name | PROTECT-R |
| Short description | Recessed downlight, IP44, without LED module |
| Material | Aluminium / Glass |
| Colour | White |
| Type of surface | Structure |
| Shape | Round |
| Outer diameter | 83 mm |
| Built-in diameter | 68 mm |
| Height | 6 mm |
| Scope of delivery | inkl. Glasabdeckung satiniert |
| Weight | 0.082 kg |

PROTECT-R Recessed downlight, IP44, without LED module

Article no. 20043170

Light.
For Generations.

| Lighting technology | |
|---------------------|---|
| Colour temperature | Je nach verwendetem Brumberg MR16-LED-Modul |
| Light output | Direct |
| Light sharing | Symmetric |

| Operating technology of the luminaire | |
|---------------------------------------|-----------------------------|
| System output | 14 W |
| Voltage type | DC |
| Lamp | For LED |
| Protection class | III |
| Degree of protection | IP44 |
| Schutzart deckenseitig | IP20 |
| Control | Dimming depending on driver |
| Bulb change possible | Yes |

| Mounting technology | |
|------------------------|---|
| Mounting method | Recessed mounting |
| Place of installation | Ceiling-mounted |
| Adjustability | Not adjustable |
| Max. ceiling thickness | 17 mm |
| Further references | No cover with thermal insulation material |
| Material cover | Glass, satinised |
| Circlip | Without circlip |

| Packing data | |
|-------------------------|---|
| Gross weight | 0.12 kg |
| Length of packaging | 115 mm |
| Packaging width | 88 mm |
| Packaging height | 54 mm |
| Disposal at end of life | This product must not be disposed of with household waste. You are obliged, to dispose of such electrical waste separately. By disposing of electrical waste and other old or defective electronics separately, you support recycling or other forms of re-use. In that way you help to take care and to avoid that harmful substances get into the environment. |