

Panel mounting socket outlet, angled - flange 85x85, with auxiliary contact normally open - "normally closed"

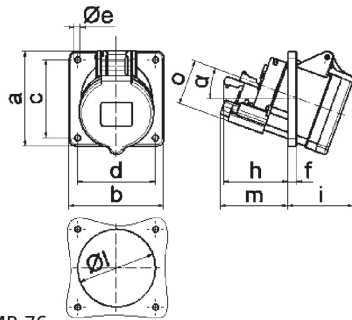


Product description	
BALS-Prd.-Nr	120592
EAN	4024941014809
Product category	TE panel mounting socket outlet Quick-Connect, angled
Current	32A
Number of poles	5p
Poles	3p+N+PE
Position of earth contact	6 h
Voltage	200/346 up to 240/415V

Product description	
Frequency	50 and 60Hz
Protection degree	IP44
Colour code	red RAL 3000
Colour of appliance	Hinged lid red RAL 3000, Enclosure grey RAL 7035
Connection design	screwless spring terminals as cage clamp with Kontex-contact
Maximum conductor size	10,0 qmm
Cable entry	other
Height	102mm
Width	85mm
Depth	128mm
Flange size vertical	85mm
Flange size horizontal	85mm
Drill hole distance vertical	70mm
Drill hole distance horizontal	70mm
Material of enclosure	Polyamide
Contact	The contact carrier is made of high temperature resistant material, the contacts are brass nickel plated

Additional technical properties	
	The inclination is 20°
	With N.O. contact normally close, With N.O.contact normally open

Logistics data	
Weight/pcs	0.262 kg / Piece
Packaging	Bag
Content amount	1 ST
EAN	4024941014809
Length	128 mm
Width	85 mm
Height	102 mm
Weight	0.263 kg
Volume	1,109.76 ccm
Packaging	Carton
Content amount	10 ST
EAN	4024941831055
Length	295 mm
Width	185 mm
Height	215 mm
Weight	2.784 kg
Volume	9,975 ccm



4 MB 76

Ampere	16	16	16	32	32	32
Polzahl	3	4	4	3	4	5
a	85,0	85,0	85,0	85,0	85,0	85,0
b	85,0	85,0	85,0	85,0	85,0	85,0
c	70,0	70,0	70,0	70,0	70,0	70,0
d	70,0	70,0	70,0	70,0	70,0	70,0
e	5,5	5,5	5,5	5,5	5,5	5,5
f	8,0	8,0	8,0	8,0	8,0	8,0
h	46,0	46,0	46,0	61,0	61,0	61,0
i	50,0	51,0	54,0	60,0	60,0	60,0
l	57,0	65,0	70,0	78,0	78,0	78,0
m	57,0	57,0	58,0	62,0	62,0	63,0
o	34,0	37,0	41,0	42,0	42,0	44,0
α	20°	20°	20°	20°	20°	20°