

Panel mounting socket outlet, straight - flange 75x75, fixing centers 60x60

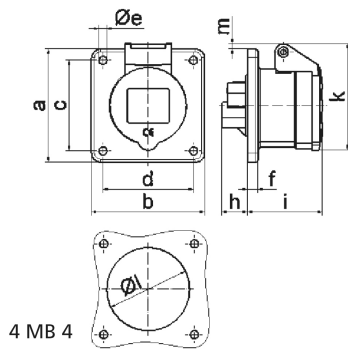


| Product description | |
|---------------------------|--|
| BALS-Prd.-Nr | 13042 |
| EAN | 4024941130424 |
| Product category | Panel mounting socket outlet, straight |
| Current | 16A |
| Number of poles | 3p |
| Poles | 2P+PE |
| Position of earth contact | 7 h |
| Voltage | 480 up to 500V |

| Product description | |
|--------------------------------|--|
| Frequency | 50 and 60Hz |
| Protection degree | IP44 |
| Colour code | black RAL 9005 |
| Colour of appliance | Hinged lid black RAL 9005, Enclosure grey RAL 7035 |
| Connection design | with screw terminal |
| Maximum conductor size | 4,0 qmm |
| Cable entry | other |
| Height | 78.5mm |
| Width | 75mm |
| Depth | 67mm |
| Flange size vertical | 75mm |
| Flange size horizontal | 75mm |
| Drill hole distance vertical | 60mm |
| Drill hole distance horizontal | 60mm |
| Material of enclosure | Polyamide |
| Contact | The contact carrier is made of polyamide, The contacts are brass |

| Logistics data | |
|----------------|------------------|
| Weight/pcs | 0.111 kg / Piece |
| Packaging | Bag |
| Content amount | 1 ST |

| Logistics data | |
|----------------|---------------|
| EAN | 4024941130424 |
| Length | 67 mm |
| Width | 75 mm |
| Height | 78.5 mm |
| Weight | 0.112 kg |
| Volume | 394.463 ccm |
| Packaging | Carton |
| Content amount | 10 ST |
| EAN | 4024941941143 |
| Length | 275 mm |
| Width | 175 mm |
| Height | 137 mm |
| Weight | 1.235 kg |
| Volume | 5,737.5 ccm |



| Ampere Polzahl | 16 3 | 16 4 | 16 5 | 32 3 | 32 4 | 32 5 |
|----------------------------|---------|---------|---------|---------|---------|---------|
| a | 75,0 | 75,0 | 75,0 | 75,0 | 75,0 | 75,0 |
| b | 75,0 | 75,0 | 75,0 | 75,0 | 75,0 | 75,0 |
| c | 60,0 | 60,0 | 60,0 | 60,0 | 60,0 | 60,0 |
| d | 60,0 | 60,0 | 60,0 | 60,0 | 60,0 | 60,0 |
| e ø | 5,5 | 5,5 | 5,5 | 5,5 | 5,5 | 5,5 |
| f | 7,0 | 7,0 | 7,0 | 8,0 | 8,0 | 8,0 |
| h | 17,0 | 26,0 | 17,0 | 36,0 | 36,0 | 19,0 |
| i | 51,0 | 53,0 | 53,0 | 62,0 | 62,0 | 62,0 |
| k | 70,0 | 80,0 | 85,0 | 90,0 | 90,0 | 98,0 |
| l ø | 45,0 | 45,0 | 55,0 | 60,0 | 60,0 | 60,0 |
| m | 3,5 | 7,0 | 11,5 | 12,0 | 12,0 | 17,0 |
| Leiter mm ² min | 1,5 | 1,5 | 1,5 | 2,5 | 2,5 | 2,5 |
| Leiter mm ² max | 4 | 4 | 4 | 10 | 10 | 10 |