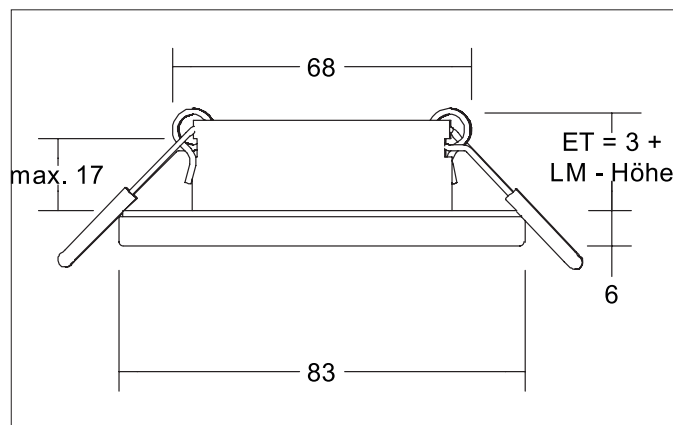


## PROTECT-R Einbaudownlight, IP44, ohne LED-Modul

Article no. 20044170

Light.  
For Generations.



### Tender

Einbaudownlight, IP44, ohne LED-Modul, white structure, Round. In a compact design, for installation in tool-less rapid assembly systems. Alle Brumberg MR16-LED-Module sind für die Einbaueinheit PROTECT verwendbar. Die Einbautiefe der Leuchte richtet sich nach dem jeweils verwendeten LED-Modul (hier: 3 mm, zzgl. Höhe des LED-Moduls). Das LED-Modul ist im Lieferumfang der Einbaueinheit nicht enthalten. Mounting method: Recessed mounting, Place of installation: Ceiling-mounted, Material: Aluminium / Glass, Degree of protection: according to DIN EN 60529 IP44, Protection class: (EN 61140) III, Power: 14W, Adjustability: Not adjustable, With control gear: No.

Article data	
Article no.	20044170
GTIN	4251433981367
Series name	PROTECT-R
Short description	Einbaudownlight, IP44, ohne LED-Modul
Material	Aluminium / Glass
Colour	White
Type of surface	Structure
Shape	Round
Outer diameter	83 mm
Built-in diameter	68 mm
Height	6 mm
Scope of delivery	inkl. Glasabdeckung klar
Weight	0.082 kg

**PROTECT-R Einbaudownlight, IP44, ohne LED-Modul**

Article no. 20044170

Light.  
For Generations.

Lighting technology	
Colour temperature	Je nach verwendetem Brumberg MR16-LED-Modul
Light output	Direct
Light sharing	Symmetric

Operating technology of the luminaire	
System output	14 W
Voltage type	DC
Lamp	For LED
Protection class	III
Degree of protection	IP44
Schutzart deckenseitig	IP20
Bulb change possible	Yes

Mounting technology	
Mounting method	Recessed mounting
Place of installation	Ceiling-mounted
Adjustability	Not adjustable
Max. ceiling thickness	17 mm
Further references	No cover with thermal insulation material
Material cover	Glass transparent
Circlip	Without circlip

Packing data	
Gross weight	0.12 kg
Length of packaging	115 mm
Packaging width	88 mm
Packaging height	54 mm
Disposal at end of life	This product must not be disposed of with household waste. You are obliged, to dispose of such electrical waste separately. By disposing of electrical waste and other old or defective electronics separately, you support recycling or other forms of re-use. In that way you help to take care and to avoid that harmful substances get into the environment.