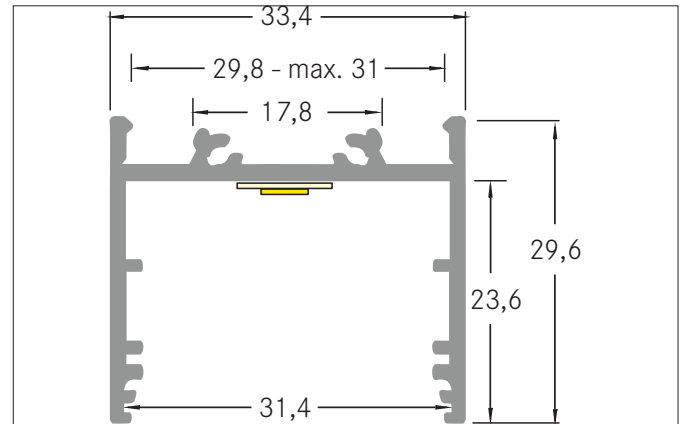


P30-30 Segment LED surface-mounted profile

Article no. 73606070

Light.
For Generations.**Tender**

Segment LED surface-mounted profile, white. For optimal attachment of the profile this holders are suitable 53035000. With the use of profile covers 73404000 73404070 73404080 the additional mechanical protection and optimal light distribution can be achieved. The associated end cap set is under 53024070 available. for Mounting method: Mounting profile. Material: Aluminium, dimensions profile: length: 100 mm x width: 33,4 mm x height: 29,6 mm .

Product Benefits

- Large mounting profile.
- Up to 4 meters in length in one piece. (For deliveries beyond 2,000 mm: please ask for delivery costs separately)
- Matching covers available in transparent, opal and black.
- Available in anodized aluminum, white and black.
- Matching end caps available in anodized aluminum, white and black.

Article data	
Article no.	73606070
GTIN	4251433970965
Series name	P30-30
Short description	Segment LED surface-mounted profile
Material	Aluminium
Colour	White
Length	100 mm
Width	33.4 mm
Hight	29.6 mm
Weight	0.041 kg

P30-30 Segment LED surface-mounted profile

Article no. 73606070

Light.
For Generations.

Packing data	
Gross weight	0.06 kg
Length of packaging	105 mm
Packaging width	80 mm
Packaging height	80 mm
Note	Please note that the materials aluminium and PMMA or PC can expand differently with changes in temperature! At a temperature change of 10°C, the coefficient of expansion is approx. aluminium is approx. 0.7mm per metre, for plastic approx. 1.5mm per metre. This is not a defect in the product, this is a normal physical process.
Disposal at end of life	This product must not be disposed of with household waste. You are obliged, to dispose of such electrical waste separately. By disposing of electrical waste and other old or defective electronics separately, you support recycling or other forms of re-use. In that way you help to take care and to avoid that harmful substances get into the environment.