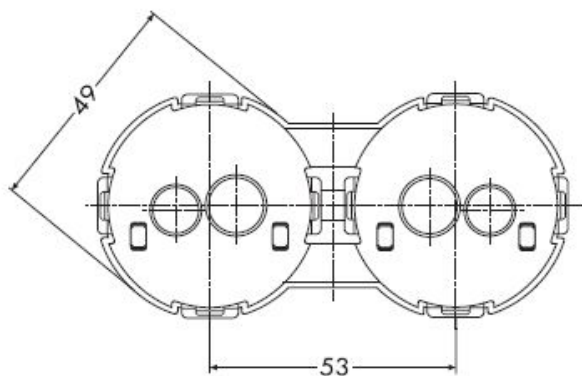


Insulating box
grey**Product Data Sheet**

With screening	No
Halogen free	Yes
Mounting method	Hollow wall
Shape	Oval
Construction type	Built-in installation box (device box)
Model	Double
Mounting switching equipment	Screwing
Material	Plastic
Surface protection	Untreated
Colour	Grey
Degree of protection (IP)	IP20

**Insulating box
grey**

Insulating box, flame-resistant in compliance with VDE 0606, 2 gang

Material No.	Article No.	EAN-code
00609911	D 702 DO	4010105609912

PEHA Elektro GmbH & Co.KG

a Honeywell Company
Daimlerstraße 4
58553 HALVER
DEUTSCHLAND

Tel.: 02353 9118 001
Fax: 02353 9118 311
mail: peha@honeywell.com
www.peha.de

Änderungen vorbehalten. © Honeywell PEHA