

Panel mounting appliance inlet - with closure cap

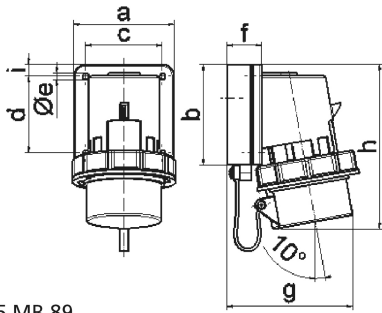


Product description	
BALS-Prd.-Nr	26056
EAN	4024941260565
Product category	TE surface mounting appliance inlet Quick-Connect
Current	16A
Number of poles	5p
Arrangement of phases	3p+N+PE
Position of earth contact	6 h
Voltage	200/346 - 240/415V~
Frequency	50/60Hz

Product description	
Protection degree	IP67
Colour code	red RAL 3000
Colour of appliance	Closure cap grey RAL 7035, Collar red RAL 3000, Bayonet ring grey RAL 7035, Enclosure grey RAL 7035
Connection design	screwless spring-clamp technology
Maximum conductor size	2,5 qmm
Cable entry	other
Height	138mm
Width	87mm
Depth	111mm
Flange size vertical in mm	84mm
Flange size horizontal in mm	84mm
Drill hole dist. vertical mm	64mm
Drill hole dist. horizontal mm	64mm
Material of enclosure	Polyamide
Contacts	The contact carrier is made of high temperature resistant material, the contacts are brass nickel plated

Additional technical properties	
	With closure cap

Logistics data	
Weight/pcs	0.313 kg / Piece
Packaging	Bag
Content amount	1 ST
EAN	4024941260565
Length	111 mm
Width	87 mm
Height	138 mm
Weight	0.314 kg
Volume	1,332.666 ccm
Packaging	Carton
Content amount	10 ST
EAN	4024941833011
Length	325 mm
Width	217 mm
Height	210 mm
Weight	3.336 kg
Volume	13,588.4 ccm



5 MB 89

Ampere	16	32				
Polzahl	5	5				
a	84,0	90,0				
b	84,0	75,0				
c	64,0	78,0				
d	64,0	45,0				
e ø	5,5	5,5				
f	28,0	28,0				
g	111,0	123,0				
h	137,0	148,0				
i	10,0	13,0				
Leiter mm ² min	1	2,5				
Leiter mm ² max	2,5	6				