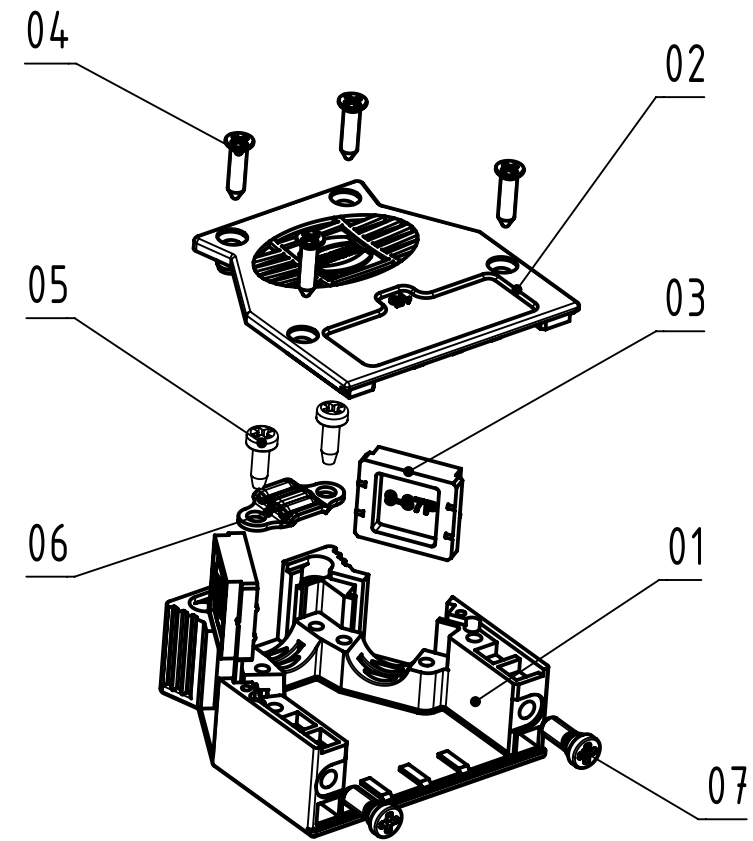


Cable diameter between 3 and 7mm, 9mm max. with longer cable clamp screws(0967 000 9946)
 Cable clamp screws max. torque=0,3Nm
 Cover screws max. torque=0,15Nm for 0967 015 0453
 Cover screws max. torque=0,25Nm for 0967 015 0452



Content D-Sub hood			Spare parts (MOQ100)	
Pos.	Quantity	Description	Part Number	Quantity
01	1	Housing: either thermoplastic metallized housing (for 0967 015 0453) or thermoplastic black housing (for 0967 015 0452)		
02	1	Cover: either thermoplastic metallized cover (for 0967 015 0453) or thermoplastic black cover (for 0967 015 0452)		
03	2	Blank piece: either thermoplastic metallized blank piece (for 0967 015 0453) or thermoplastic black blank piece (for 0967 015 0452)	0967 003 6011	1
04	4	Screws for cover		
05	2	Screws for cable clamp x6,5mm Screws for cable clamp x8,5mm (optional)	0967 000 9944 0967 000 9946	1 1
06	1	Cable clamp	0967 000 9942	1
07	2	Locking bolt	0967 003 6014	1

All rights reserved Department EL PD		All Dimensions in mm Original Size DIN A3	Scale 2:1	Free size tol.	Ref. Sub.
Created by ZENGDO		Inspected by LUOK	Standardisation HOFFMANN	Date 2019-11-06	State Final Release
HARTING Electronics GmbH D-32339 Espelkamp		Title D-Sub 15-pole plastic top and side entry hood			Doc-Key / ECM-Nr. 100671900/UGD/002/B 500000160261
		Type TB	Number 0967015045Y		Rev. B
				Page 1/1	

0967 015 0453	D-Sub 15-pole thermoplastic metallized top and side entry hood for spring or slide locking
0967 015 0452	D-Sub 15-pole thermoplastic black top and side entry hood for spring or slide locking
Part number	Description