

## Plug - with screw terminals one piece housing



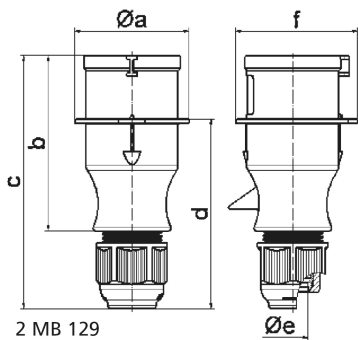
| Product description           |                                      |
|-------------------------------|--------------------------------------|
| BALS-Prd.-Nr                  | 21012-TLS                            |
| EAN                           | 4024941199193                        |
| product category (PG)         | TLS plug with Multi-Grip cable gland |
| current (A)                   | 32A                                  |
| number of poles (P99)         | 3p                                   |
| number of poles (P)           | 2P+PE                                |
| position of earth contact (H) | 4 h                                  |
| voltage (V)                   | 100 up to 130V                       |
| frequency (HZ)                | 50 and 60Hz                          |

| Product description         |  |
|-----------------------------|--|
| protection degree (SA)      | IP44   |
| colour code 1 (KF1)         | yellow RAL 1012  |
| Colour of appliance         | Enclosure yellow RAL 1012, Cable gland grey RAL 7035             |
| connection design (AT)      | with screw terminal  |
| maximum conductor size (LQ) | 6,0 qmm  |
| cable entry (KE)            | Cable gland  |
| Height                      | 167mm  |
| Width                       | 71mm   |
| Depth                       | 81mm   |
| material of enclosure (GM)  | Polyamide  |
| contact                     | The contact carrier is made of polyamide, The contacts are brass |

| Additional technical properties |   |
|---------------------------------|---|
|                                 | one piece housing, Multi-Grip cable gland with gasket and integrated strain relief, For cable diameter from 11 up to max. 23,5 mm |

| Logistics data |                |
|----------------|----------------|
| Weight/pcs     | 0.2 kg / Piece |
| Packaging      | Bag            |
| Content amount | 1 ST           |
| EAN            | 4024941199193  |

| Logistics data |               |
|----------------|---------------|
| Length         | 81 mm         |
| Width          | 71 mm         |
| Height         | 167 mm        |
| Weight         | 0.201 kg      |
| Volume         | 960.417 ccm   |
| Packaging      | Carton        |
| Content amount | 10 ST         |
| EAN            | 4024941826822 |
| Length         | 245 mm        |
| Width          | 177 mm        |
| Height         | 185 mm        |
| Weight         | 2.133 kg      |
| Volume         | 7,140 ccm     |



| Ampere                     | 16    | 16    | 16    | 32    | 32    | 32    |
|----------------------------|-------|-------|-------|-------|-------|-------|
| Polzahl                    | 3     | 4     | 5     | 3     | 4     | 5     |
| a ø                        | 54,0  | 60,0  | 66,0  | 71,0  | 71,0  | 80,0  |
| b                          | 94,5  | 98,0  | 101,0 | 115,0 | 115,0 | 119,0 |
| c                          | 138,0 | 142,0 | 145,0 | 170,0 | 170,0 | 174,0 |
| d                          | 101,5 | 105,5 | 108,5 | 124,0 | 124,0 | 128,0 |
| e ø                        | 18,0  | 18,0  | 18,0  | 23,0  | 23,0  | 23,0  |
| f                          | 56,6  | 64,0  | 71,0  | 76,0  | 76,0  | 85,0  |
| Leiter mm <sup>2</sup> min | 1     | 1     | 1     | 2,5   | 2,5   | 2,5   |
| Leiter mm <sup>2</sup> max | 2,5   | 2,5   | 2,5   | 6     | 6     | 6     |
|                            |       |       |       |       |       |       |
|                            |       |       |       |       |       |       |
|                            |       |       |       |       |       |       |