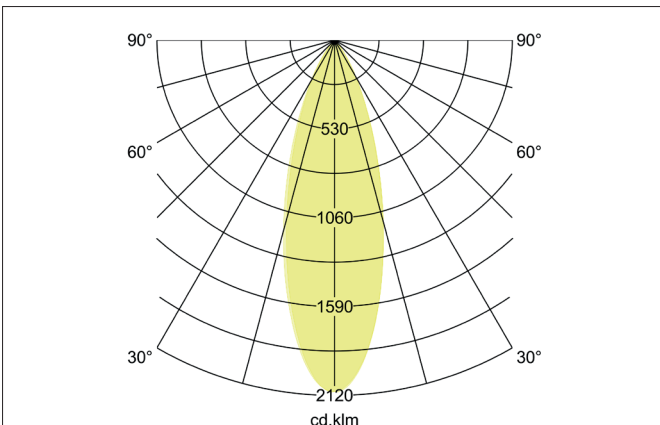
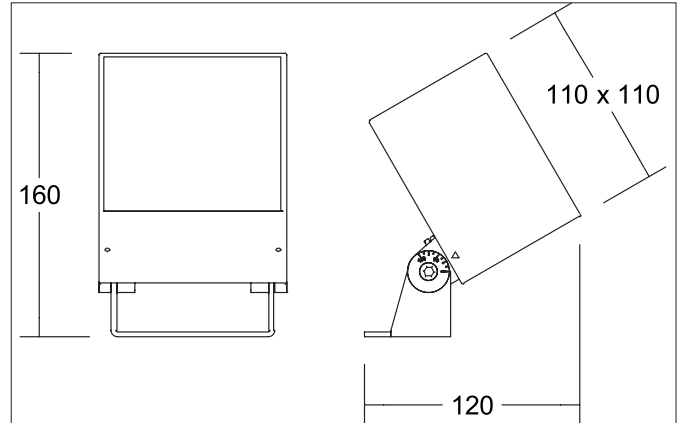


BLOKK LED surface-mounted spot, IP65
Article no. 60112103

Light.
 For Generations.



Tender
 LED surface-mounted spot, IP65, Square. Luminaire length 110.0 mm, Luminaire width 110.0 mm, Hight 160.0 mm Weight 1.674 kg, optimal light distribution due to a glass transparent cover. Luminous flux 1.600 lm, Power 1 x 21 W, System Efficiency 76 lm/W, Light colour warm white, Correlated color temperature (CCT) 3.000 K, Colour rendering index CRI > 80, Housing material: Aluminium / Glass, Colour: Graphite, Permissible ambient temperature (ta): -20 °C - +25 °C, Protection class (EN 61140): I, Degree of protection (DIN EN 60529): IP65, shock resistance according to IEC62262: IK06 . With electronic driver, on/off switchable.

| Article data | |
|-------------------------------|--|
| Article no. | 60112103 |
| GTIN | 4251433925712 |
| Series name | BLOKK |
| Short description | LED surface-mounted spot, IP65 |
| Material | Aluminium / Glass |
| Colour | Graphite |
| Shape | Square |
| Length | 110 mm |
| Width | 110 mm |
| Hight | 160 mm |
| Scope of delivery | Incl. converter for connection to the 230-V mains voltage, on/off switchable and 2,000 mm connecting cable |
| Weight | 1.674 kg |
| Length of the connection line | 3,000 mm |

BLOKK LED surface-mounted spot, IP65
Article no. 60112103




Light.
For Generations.

| Lighting technology | |
|---------------------|---------------|
| Colour temperature | 3000K |
| Light colour | White |
| Luminous flux | 1,600 lm |
| System efficiency | 76 lm/W |
| McAdam-Step | McAdam-Step 3 |
| Colour rendering | CRI > 80 |
| Beam angle | 32° |

| Operating technology of the luminaire | |
|---------------------------------------|----------|
| System output | 21 W |
| Voltage type | AC |
| AC nominal voltage max | 230 V |
| Frequenz max. | 50 Hz |
| Lamp | LED |
| Protection class | I |
| Degree of protection | IP65 |
| Wire number | 3 |
| Control | on/off |
| Length of the connection line | 3,000 mm |
| Bulb change possible | Yes |

| Mounting technology | |
|-----------------------|-------------------|
| Mounting method | Surface mounting |
| Place of installation | Floor-mounted |
| Adjustability | Pivoted |
| Swivel angle | 90° |
| Impact resistance | IK06 |
| Material cover | Glass transparent |

| Packing data | |
|-------------------------|---|
| Gross weight | 1.789 kg |
| Length of packaging | 155 mm |
| Packaging width | 150 mm |
| Packaging height | 140 mm |
| Disposal at end of life | This product must not be disposed of with household waste. You are obliged, to dispose of such electrical waste separately. By disposing of electrical waste and other old or defective electronics separately, you support recycling or other forms of re-use. In that way you help to take care and to avoid that harmful substances get into the environment. |

| Accessories | |
|---|---|
|  | Article no.: 81021000 Ground spike for 60112... Dimensions: 65 mm x 225 mm |
|  | Article no.: 81022000 Mounting strap for 60112... Dimensions: 80 mm x 60 mm x 25 mm |
|  | Article no.: 81023000 Floor anchor to 60112... Dimensions: 172 mm |