

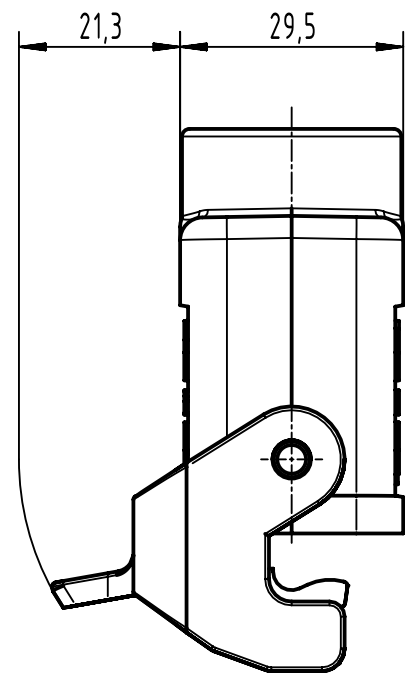
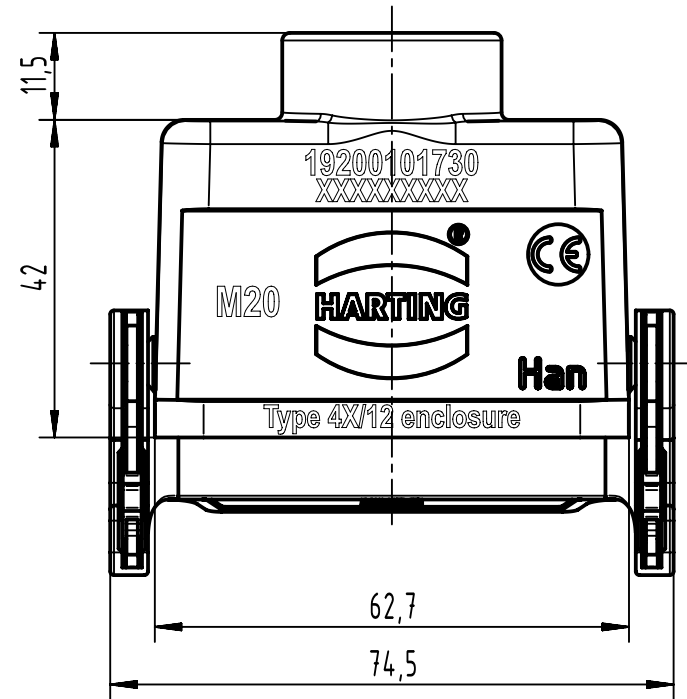
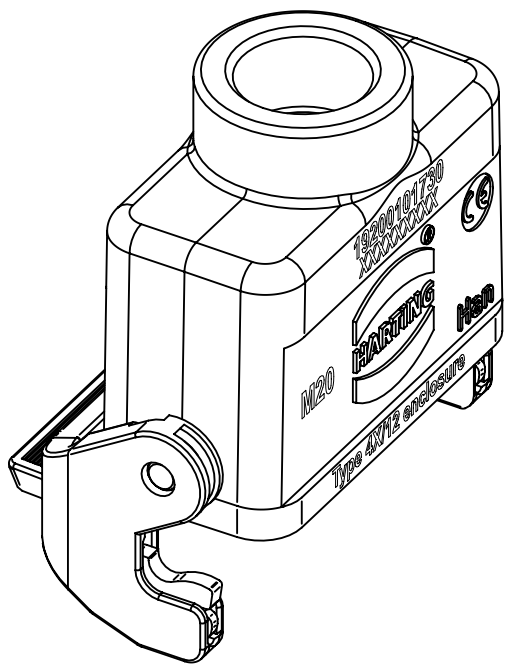
1 2 3 4 5 6

A

B

C

D



	All Dimensions in mm Original Size DIN A4		Scale 1:1	Free size tol.		Ref.
						Sub.
	All rights reserved		Created by HOLLERT	Inspected by RIEPE	Standardisation	Date 2023-03-29
	Department EL PD					State Final Release
HARTING			Title Han 10A-HCC-LC-SL-M20			Doc-Key / ECM-Nr. 100217457/UGD/003/D 50000024.0841
D-32339 Espelkamp			Type TB	Number 19 20 010 1730		
						Page 1/1