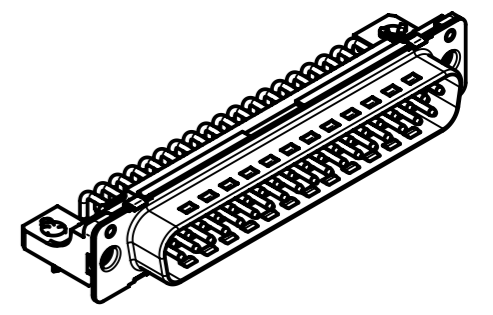
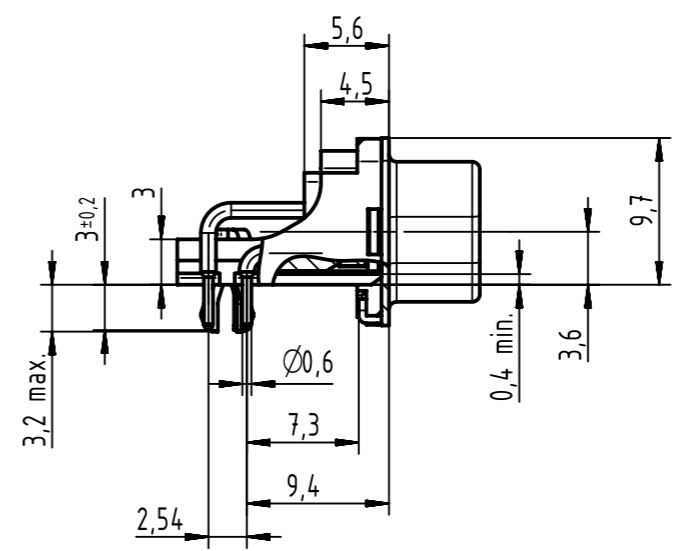
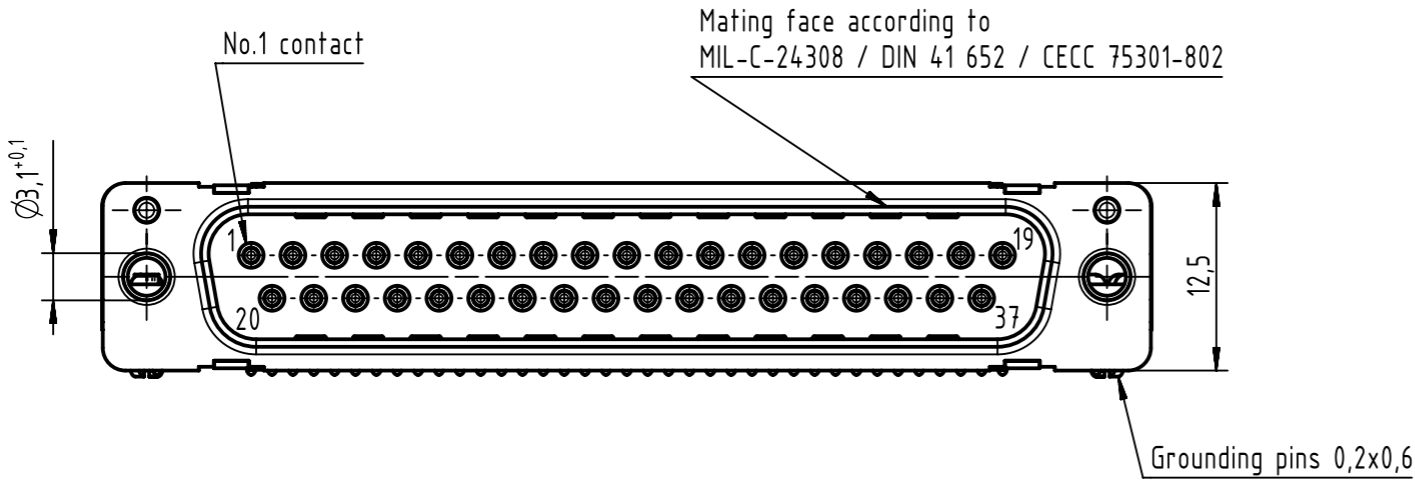
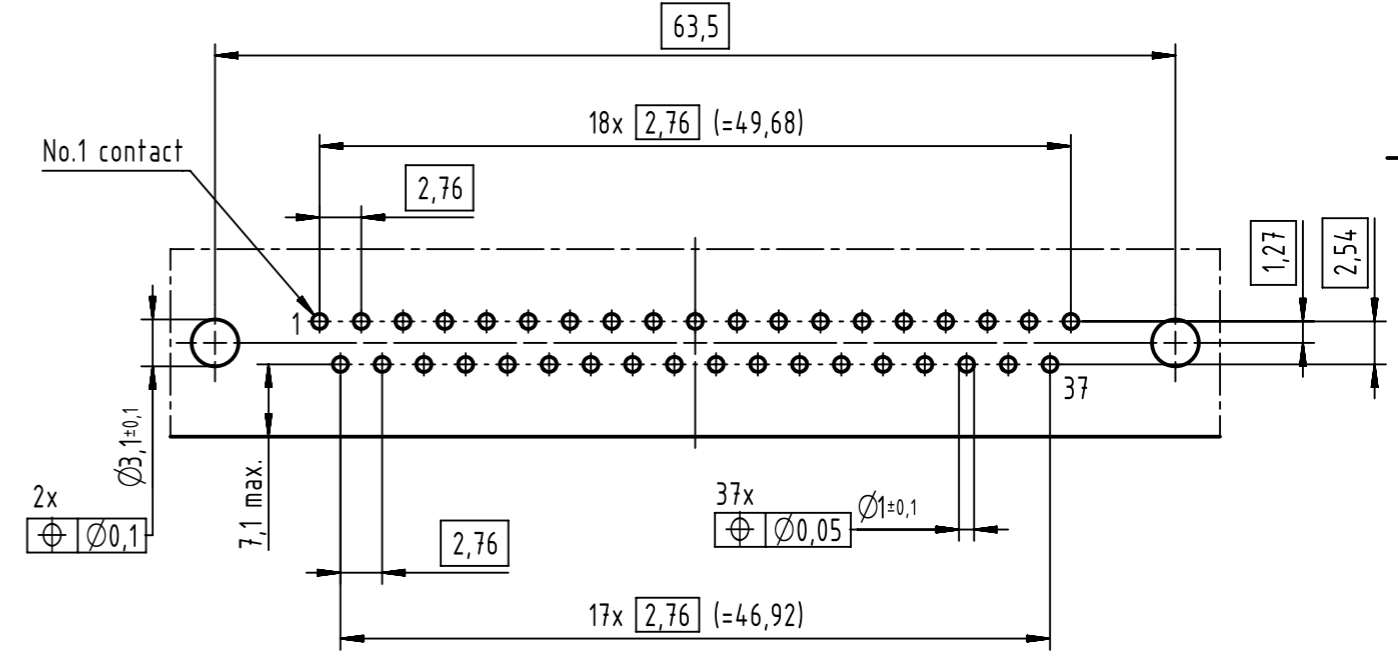
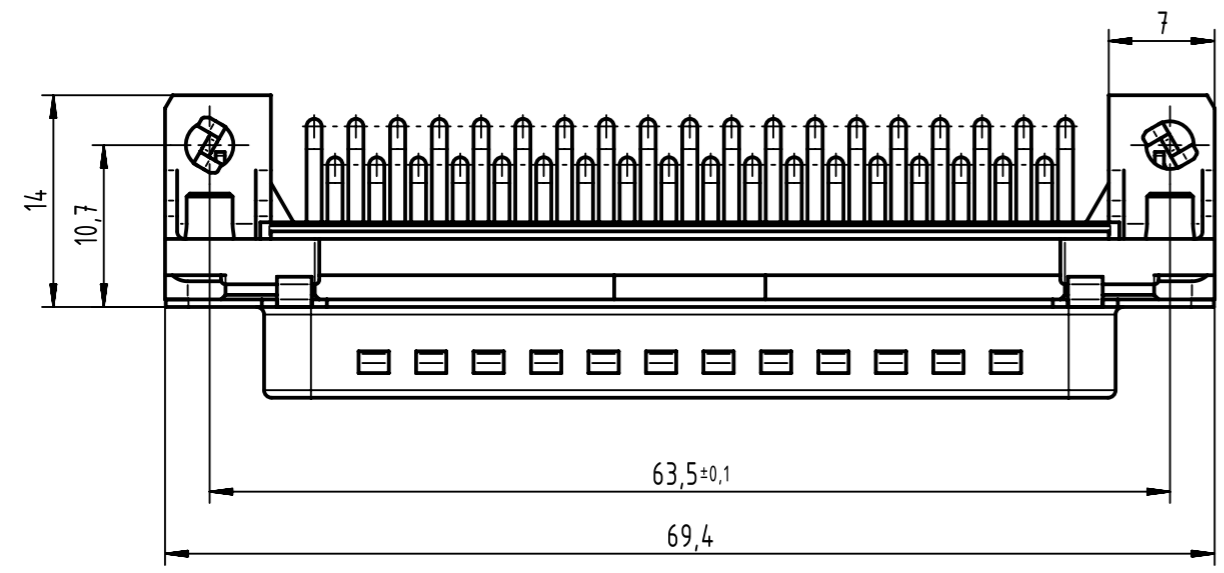


1 2 3 4 5 6 7 8

A  
B  
C  
D  
E  
F



Printed board layout (1,6±0,2 thick)  
view component side  
(PCB plating =Tin)



Mounting force on Printed board: 25-80 N

part number	performance level	nut thread
0966 462 7815	AU3	M3
0966 462 7816	AU3	4-40 UNC
0966 462 6815	AU2	M3
0966 462 6816	AU2	4-40 UNC
0966 462 5815	0,76µm AU	M3
0966 462 5816	0,76µm AU	4-40 UNC

	All rights reserved	Created by	Inspected by	Standardisation	Date	State	
	Department EC PD - CN	ZHUANGJ	LUOK	HOFFMANN	2015-10-27	Final Release	
HARTING Electronics GmbH		Title				Doc-Key / ECM-Nr.	
D-32339 Espelkamp		D-Sub 37-pole male low-profile assembly				100634584/UGD/000/A 50000095926	
		Type	Number		Rev.	Page	
		TB	0966462X81X		A	1/1	