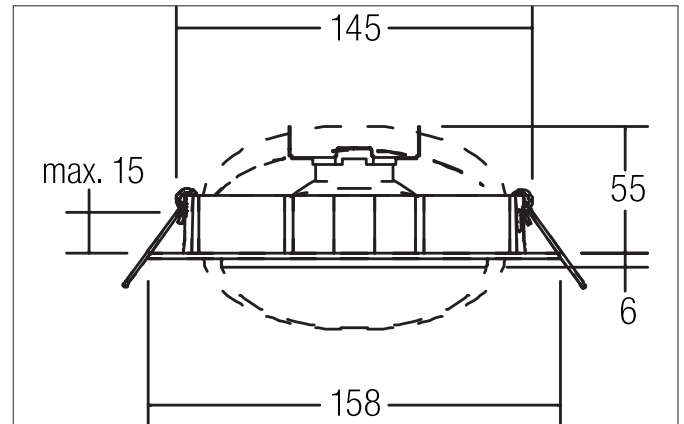


Recessed spot, QR111
 Artikel-Nr. 512771

Licht.
 Für Generationen.



Tender

Recessed spot, QR111, nickel, round. In a compact design, for installation in tool-less rapid assembly systems. Lamp holder: G53, Mounting method: Recessed mounting, Place of installation: Ceiling-mounted, Material: Aluminium, Degree of protection: according to DIN EN 60529 IP20, Protection class: (EN 61140) III, Voltage: 12V, Power: 50W, Amount of light sources / fittings: 1.0 Qty, Adjustability: Pivoted, With control gear: No, Control: Dimming depending on driver.

Article data	
Artikel-Nr.	512771
GTIN	4251433920403
Kurzbeschreibung	Recessed spot, QR111
Material	Aluminium
Colour	Nickel
Type of surface	Matt
Shape	round
Outer diameter	158 mm
Built-in diameter	145 mm
Installation depth	55 mm
Aufbauhöhe	3 mm
weight	0.000 kg

Recessed spot, QR111

Artikel-Nr. 512771

Licht.
Für Generationen.

Operating technology of the luminaires	
System output	50 W
Voltage type	AC
AC nominal voltage max	12 V
Frequenz max.	50 Hz
Lamp	LV halogen lamp
Lamp holder	G53
Protection class	III
Degree of protection	IP20
Control	Dimming depending on driver
Leuchtmittelwechsel möglich	ja

Mounting technology	
Mounting method	
Place of installation	Ceiling-mounted
Adjustability	Pivoted
Swivel angle	30°
Further references	No cover with thermal insulation material
Circlip	Without circlip

Packing data	
Gross weight	0.248 kg
Length of packaging	170 mm
Packaging width	60 mm
Packaging height	170 mm