

5

4

3

2

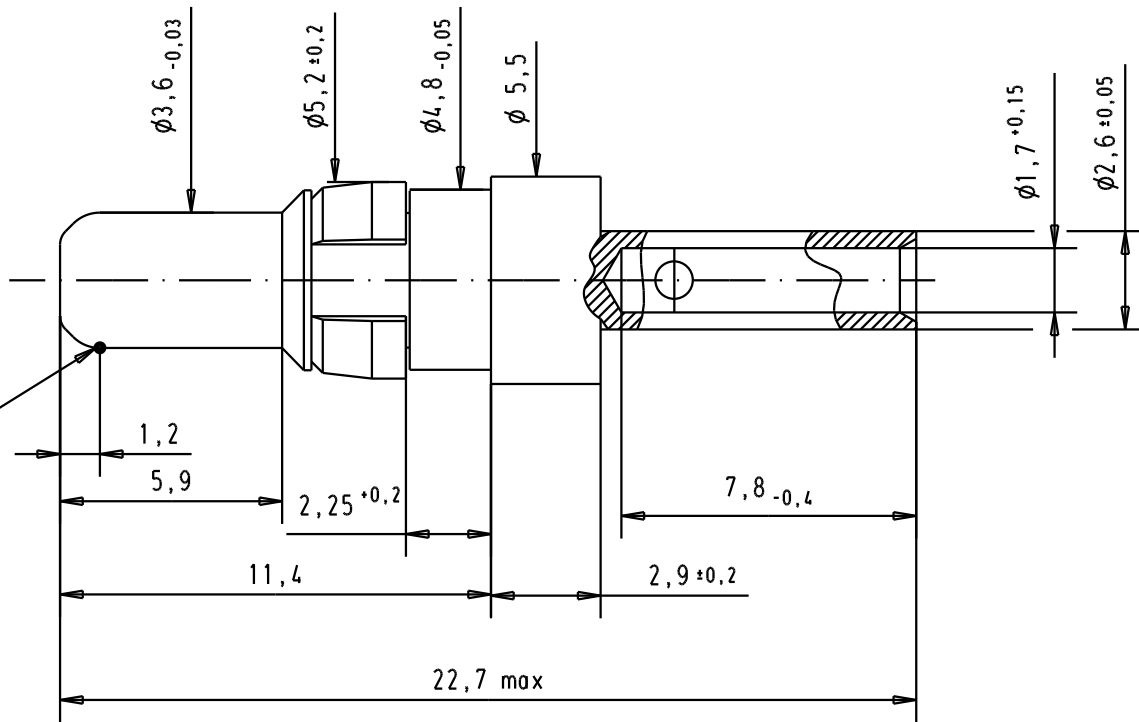
1

D

C

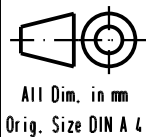

B

Point of plating thickness measurement



Crimping tool: 09 99 000 0509
Positioner: 09 99 000 0504

A

						Dat.		Name		 All Dim. in mm Orig. Size DIN A 4	Male High power contact, 10A, straight cable termination, crimp for AWG 16-20	Maßstab/ Scale 5:1
						Detail.	JH					
09692827420	Mating area	0,2 μm Au				Insp.						
	Termination area	0,2 μm Au				Stand.						
09692825420	Mating area	0,8 μm Au	32809	21/04/05	AL	HARTING EURL F-95972 Paris				TB 09 69 282 x420	Blatt/ Page 1 / 1	
	Termination area	0,2 μm Au	31887	14/04/04	JH							
Part number	Plating		Mod.	Dat.	Name				Sub.			