

Panel mounting appliance inlet - with closure cap



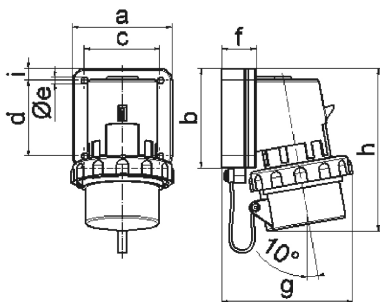
Product description	
BALS-Prd.-Nr	2638
EAN	4024941026383
Product category	Surface mounting appliance inlet
Current	16A
Number of poles	3p
Poles	2P+PE
Position of earth contact	6 h
Voltage	200 up to 250V
Frequency	50 and 60Hz

Product description	
Protection degree	IP67
Colour code	blue RAL 5015
Colour of appliance	Closure cap grey RAL 7035, Collar blue RAL 5015, Bayonet ring grey RAL 7035, Enclosure grey RAL 7035
Connection design	with screw terminal
Maximum conductor size	2,5 qmm
Cable entry	other
Height	132mm
Width	74mm
Depth	80mm
Flange size vertical	84mm
Flange size horizontal	74mm
Drill hole distance vertical	64mm
Drill hole distance horizontal	58mm
Material of enclosure	Polyamide
Contact	The contact carrier is made of polyamide, the contacts are brass nickel plated

Additional technical properties	
	With closure cap

Logistics data	
Weight/pcs	0.196 kg / Piece

Logistics data	
Packaging	Bag
Content amount	1 ST
EAN	4024941026383
Length	80 mm
Width	74 mm
Height	132 mm
Weight	0.197 kg
Volume	781.44 ccm
Packaging	Carton
Content amount	10 ST
EAN	4024941966207
Length	258 mm
Width	183 mm
Height	212 mm
Weight	2.112 kg
Volume	8,750 ccm



5 MB 3

Ampere	16	16	16	32	32	32
Polzahl	3	4	5	3	4	5
a	74,0	75,0	84,0	90,0	90,0	90,0
b	84,0	100,0	84,0	75,0	75,0	75,0
c	58,0	62,0	64,0	78,0	78,0	78,0
d	64,0	74,0	64,0	45,0	45,0	45,0
e ø	5,5	4,3	5,5	5,5	5,5	5,5
f	12,0	12,0	29,0	29,0	29,0	29,0
g	80,0	88,0	111,0	123,0	123,0	123,0
h	133,0	152,0	134,0	147,0	147,0	148,0
i	-	-	10,0	13,0	13,0	13,0
Leiter mm ² min	1	1	1	2,5	2,5	2,5
Leiter mm ² max	2,5	2,5	2,5	6	6	6