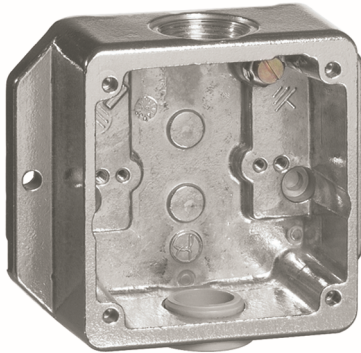
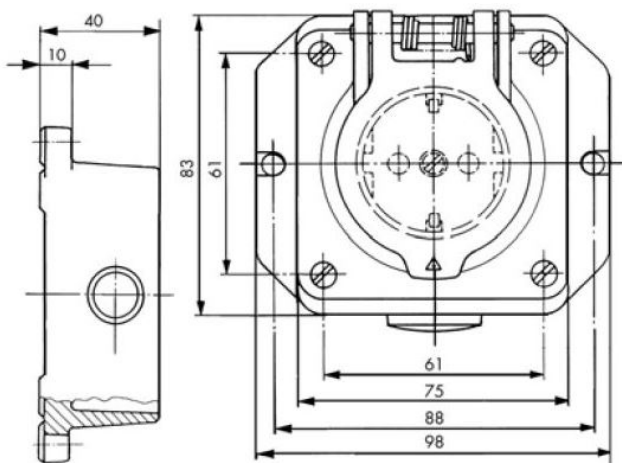


**Pattress  
aluminium**

**Product Data Sheet**



Assembly arrangement	Housing base
Mounting direction	Horizontal and vertical
Material	Metal
Material quality	Aluminium
Surface protection	Untreated
Surface finishing	Glossy
Colour	Aluminium
Halogen free	Yes



**Pattress  
aluminium**

Pattress, single, with thread for M 20, without threaded joint,  
for surface-mounting devices, with 2 entries

Material No.	Article No.	EAN-code
00906394	D 391.69 AGU WA	4010105906394

---

**PEHA Elektro GmbH & Co.KG**

a Honeywell Company  
Daimlerstraße 4  
58553 HALVER  
DEUTSCHLAND

Tel.: 02353 9118 001  
Fax: 02353 9118 311  
mail: [peha@honeywell.com](mailto:peha@honeywell.com)  
[www.peha.de](http://www.peha.de)

Änderungen vorbehalten. © Honeywell PEHA