

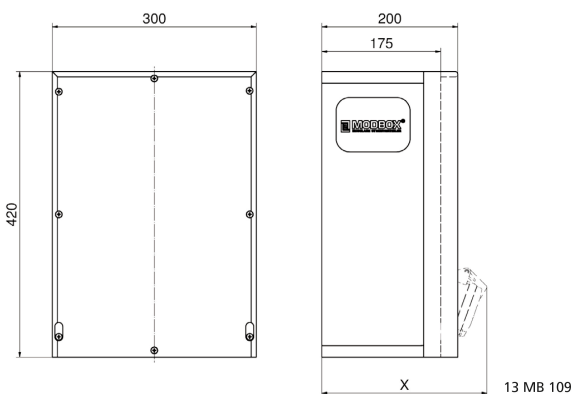
Surface-mounting distributor, rubber - MODBOX



Product description	
BALS-Prd.-Nr	5401662
EAN	4024941948647
Product category	MODBOX
Protection degree	IP44
Colour of appliance	Housing bottom black s RAL9017, Housing top si black RAL 9017
Height	420mm
Width	300mm
Depth	175mm
RDF factor	1

Product description	
Nominal current InA	63

Logistics data	
Weight/pcs	0.0 kg / Piece
Packaging	Carton
Content amount	1 ST
EAN	4024941948647
Length	320 mm
Width	346 mm
Height	511 mm
Weight	0.71 kg
Volume	56,577.92 ccm



Tiefenmaß/ depth X (mm)

Bezeichnung/ with	IP44	IP67
Schutzk. Steckdose/domestic socket	192	235
CEE 16A 3p	230	230
CEE 16A 4p	234	232
CEE 16A 5p	237	235
CEE 32A 3p/4p	241	243
CEE 32A 5p	243	244
CEE 63A 3p/4p/5p	259	261