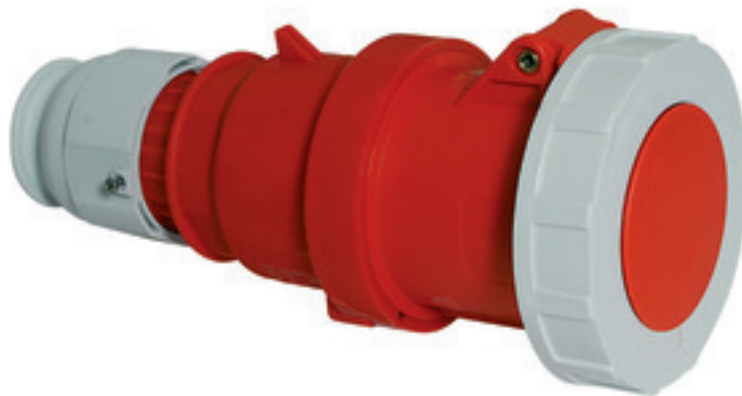


Connector - with screwless terminals, for harsh applications



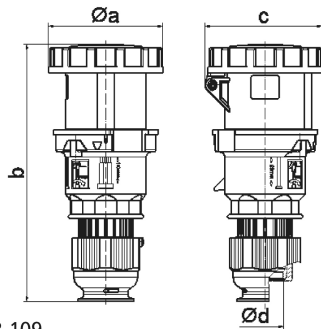
Product description	
BALS-Prd.-Nr	310491
EAN	4024941146944
product category (PG)	Connector QUICK-CONNECT TE
current (A)	63A
number of poles (P99)	4p
number of poles (P)	3P+PE
position of earth contact (H)	6 h
voltage (V)	380 up to 415V

Product description	
frequency (HZ)	50 and 60Hz
protection degree (SA)	IP67
colour code 1 (KF1)	red RAL 3000
Colour of appliance	Housing cover red RAL 3000, Collar red RAL 3000, Hinged lid red RAL 3000, Bayonet ring grey RAL 7035, Cable gland grey RAL 7035
connection design (AT)	screwless spring terminal with box terminals and kontext-contact
maximum conductor size (LQ)	16,0 qmm
cable entry (KE)	Cable gland
Height	251mm
Width	110mm
Depth	115mm
material of enclosure (GM)	Polyamide
contact	The contact carrier is made of high temperature resistant material, the contacts are brass nickel plated

Additional technical properties	
	For cable diameter from 16 up to max. 36 mm, Screwless housing connection, Multi-Grip cable gland with gasket, integrated cable clamp and additional water evacuation openings

Logistics data	
Weight/pcs	0.8 kg / Piece
Packaging	Carton

Logistics data	
Content amount	5 ST
EAN	4024941958868
Length	325 mm
Width	217 mm
Height	210 mm
Weight	4.206 kg
Volume	13,588.4 ccm



3 MB 109

Ampere	63	63	63				
Polzahl	3	4	5				
a ø	110,0	110,0	110,0				
b	251,0	251,0	251,0				
c	113,0	113,0	113,0				
d ø	36,0	36,0	36,0				
Leiter mm ² min	6	6	6				
Leiter mm ² max	16	16	16				