

Panel mounting appliance inlet - without closure cap

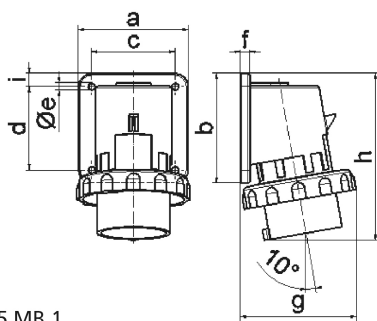


| Product description | |
|---------------------------|----------------------------------|
| BALS-Prd.-Nr | 2694 |
| EAN | 4024941026949 |
| Product category | Surface mounting appliance inlet |
| Current | 32A |
| Number of poles | 4p |
| Poles | 3P+PE |
| Position of earth contact | 9 h |
| Voltage | 200 up to 250V |
| Frequency | 50 and 60Hz |

| Product description | |
|--------------------------------|--|
| Protection degree | IP67 |
| Colour code | blue RAL 5015 |
| Colour of appliance | Collar blue RAL 5015, Bayonet ring grey RAL 7035, Enclosure grey RAL 7035 |
| Connection design | with screw terminal |
| Maximum conductor size | 6,0 qmm |
| Cable entry | other |
| Height | 137mm |
| Width | 94mm |
| Depth | 98mm |
| Flange size vertical | 75mm |
| Flange size horizontal | 90mm |
| Drill hole distance vertical | 45mm |
| Drill hole distance horizontal | 78mm |
| Material of enclosure | Polyamide |
| Contact | The contact carrier is made of polyamide, the contacts are brass nickel plated |

| Logistics data | |
|----------------|------------------|
| Weight/pcs | 0.265 kg / Piece |
| Packaging | Bag |
| Content amount | 1 ST |
| EAN | 4024941026949 |

| Logistics data | |
|----------------|---------------|
| Length | 98 mm |
| Width | 94 mm |
| Height | 137 mm |
| Weight | 0.266 kg |
| Volume | 1,262.044 ccm |
| Packaging | Carton |
| Content amount | 10 ST |
| EAN | 4024941833394 |
| Length | 325 mm |
| Width | 217 mm |
| Height | 210 mm |
| Weight | 2.856 kg |
| Volume | 13,588.4 ccm |



5 MB 1

| Ampere | 16 | 16 | 16 | 32 | 32 | 32 |
|----------------------------|-------|-------|-------|-------|-------|-------|
| Polzahl | 3 | 4 | 5 | 3 | 4 | 5 |
| a | 74,0 | 75,0 | 84,0 | 90,0 | 90,0 | 90,0 |
| b | 84,0 | 100,0 | 84,0 | 75,0 | 75,0 | 75,0 |
| c | 58,0 | 62,0 | 64,0 | 78,0 | 78,0 | 78,0 |
| d | 64,0 | 74,0 | 64,0 | 45,0 | 45,0 | 45,0 |
| e ø | 5,5 | 4,3 | 5,5 | 5,5 | 5,5 | 5,5 |
| f | 12,0 | 12,0 | 7,0 | 7,0 | 7,0 | 7,0 |
| g | 80,0 | 88,0 | 90,0 | 100,0 | 100,0 | 101,0 |
| h | 128,0 | 145,0 | 129,0 | 138,0 | 138,0 | 139,0 |
| i | - | - | 10,0 | 13,0 | 13,0 | 13,0 |
| Leiter mm ² min | 1 | 1 | 1 | 2,5 | 2,5 | 2,5 |
| Leiter mm ² max | 2,5 | 2,5 | 2,5 | 6 | 6 | 6 |