



**DMT GmbH & Co. KG**  
Plant and Product Safety  
Testing Body for Fire Protection

Tremoniastrasse 13  
44137 Dortmund  
Germany

Phone +49 231 5333-240  
Fax +49 231 5333-297  
dmt-firetest@dmt-group.com  
www.dmt-group.com

TÜV NORD GROUP

## General Building Authority Test Certificate

*[Allgemeines bauaufsichtliches Prüfzeugnis]*

Test Certificate No.	P-1042 DMT DO
Applicant	Günther Spelsberg GmbH + Co. KG Im Gewerbepark 1 58579 Schalksmühle Germany
Subject	Design types for the manufacture of electrical cable systems subject to the requirements regarding functional integrity under the influence of fire of the functional integrity classes "E30", "E60" and "E90" as per DIN 4102-12:1998-11 according to the VV TB NRW, edition of June 2019, serial No. C 4.9, with the product designation(s):  <b>Junction boxes "WKE" of Günther Spelsberg GmbH + Co KG attached to cable tray "RVLC 60.400" of Niedax GmbH &amp; Co. KG make, for use in cable systems with integrated functional integrity [Abzweigdosen "WKE" der Günther Spelsberg GmbH + Co. KG befestigt an Kabelrinne "RVLC 60.400" der Firma Niedax GmbH &amp; Co. KG, zur Verwendung in Kabelanlagen mit integriertem Funktionserhalt]</b>
Date of issue	03 November 2021
Valid until	03 November 2026

Based on this General Building Authority Test Certificate, the above subject is applicable within the meaning of the building regulations of the respective federal state.

This General Building Authority Test Certificate comprises 45 pages *[refers to the German original - translator's comment]*, including the cover sheet and annexes. Each page of this General Building Authority Test Certificate bears the stamp of DMT GmbH & Co. KG, Dortmund. Documents without signature and stamp are not valid.

*[translator's comment: The seal of DMT-Prüfstelle für Brandschutz (DMT Testing Body for Fire Protection) appears on every page.]*

<b>CONTENTS</b>	<b>PAGE</b>
<b>1 General provisions</b> .....	<b>4</b>
<b>2. Special provisions</b> .....	<b>5</b>
2.1 Subject and scope of application/scope of use .....	5
2.1.1 Subject.....	5
2.1.2 Scope of application/scope of use .....	5
2.2 Provisions for the design type.....	8
2.2.1 Basis for issuing the General Building Authority Test Certificate.....	8
2.2.2 Marking .....	9
<b>3. Proof of conformity</b> .....	<b>10</b>
<b>4. Provisions for execution</b> .....	<b>10</b>
4.1 General .....	10
4.2 Cable design types.....	11
4.3 Junction boxes, support system, accessories and nearest mounting.....	12
4.3.1 Junction boxes .....	12
4.3.1.1 WKE 2 .....	12
4.3.1.2 WKE 4 .....	13
4.3.1.3 WKE 6 .....	14
4.3.2 Support system .....	15
4.3.2.1 Cable tray "RLVC 60.400.....	15
4.3.3 Cable terminals .....	17
4.3.4 Cable bushings .....	17
4.3.4.1 Membrane bushings .....	17
4.3.5 Fastening distance of first cable clamp after cable junction box WKE on cable tray.....	18
4.3.6 Single clip/RS clip .....	18
<b>5 Maintenance and servicing of the construction product</b> .....	<b>19</b>
<b>6 Legal basis</b> .....	<b>19</b>
<b>7 Information on legal remedies</b> .....	<b>20</b>
<b>Annex 1</b>	
<b>Annex 2</b>	
<b>Annex 3</b>	

**DMT GmbH & Co. KG**

Plant and Product Safety – Testing Body for Fire Protection  
General Building Authority Test Certificate  
P-1042 DMT DO of 03 November 2021



- Annex 4**
- Annex 5**
- Annex 6**
- Annex 7**
- Annex 8**
- Annex 9**
- Annex 10**
- Annex 11**
- Annex 12**
- Annex 13**
- Annex 14**
- Annex 15**
- Annex 16**
- Annex 17**
- Annex 18**
- Annex 19**
- Annex 20**
- Annex 21**
- Annex 22**
- Annex 23**
- Annex 24**
- Annex 25**

## **1 General provisions**

- This General Building Authority Test Certificate proves the usability of the design type indicated as the subject within the meaning of the federal state building regulations.
- The General Building Authority Test Certificate does not replace the approvals, consents and certificates required by law for the execution of building projects.
- The General Building Authority Test Certificate is issued without prejudice to third-party rights, in particular private property rights.
- Notwithstanding any further regulations under "Special provisions", manufacturers and distributors of the design type are required to provide the user of the construction product with copies of the General Building Authority Test Certificate and point out that the General Building Authority Test Certificate must be available at the place of use. Copies of the General Building Authority Test Certificate must be made available to the authorities involved on request.
- The General Building Authority Test Certificate must only be duplicated in full. Publication of excerpts requires the consent of DMT GmbH & Co. KG, Testing Body for Fire Protection. Texts and drawings of advertising material must not contradict to the General Building Authority Test Certificate. Translations of the General Building Authority Test Certificate must bear the note "Translation of the German original version not verified by DMT GmbH & Co. KG, Testing Body for Fire Protection" [Von der DMT GmbH & Co. KG, Prüfstelle für Brandschutz, nicht geprüfte Übersetzung der deutschen Originalfassung] in the German and the translated languages.
- The General Building Authority Test Certificate is issued on a revocable basis. The provisions set out herein may be subsequently supplemented and amended, in particular if such supplements and amendments are required due to new technical findings.
- The construction product listed as the subject of the General Building Authority Test Certificate requires proof of conformity (proof of conformity certificate) and marking with the conformity mark (Ü mark) according to the conformity mark regulations of the federal states.
- In the further course (adjoining the section 'single clip-junction box-single clip' described in this document) of the cable system, its installation has to be carried out with a supporting/fixing system suitable for the respective cable (e.g. bracket clip with long trough, single clip, etc.). To this end, the necessary certificates of usability issued by the building authorities are required.

## **2. Special provisions**

### **2.1 Subject and scope of application/scope of use**

#### **2.1.1 Subject**

This General Building Authority Test Certificate according to MVV-TB and VV TB Bln C 4.9 "Design types for the manufacture of electrical cable systems which are subject to requirements with regard to functional integrity under fire impact" [*Bauarten zur Herstellung von elektrischen Kabelanlagen, an die Anforderungen hinsichtlich des Funktionserhalts unter Brandeinwirkung gestellt werden*] is valid for the manufacture and use of cable systems as a design type. The cable system with integrated functional integrity qualifies, depending on the cable design types together with the junction boxes, for classification in the functional integrity classes "E30", "E60" and "E90" according to DIN 4102-12:1998-11.

The cable system with integrated functional integrity must consist of cable design types according to section 4.2 and junction boxes according to section 4.3.

This General Building Authority Test Certificate describes junction boxes, which have to be used in conjunction with cable systems with integrated functionality integrity.

#### **2.1.2 Scope of application/scope of use**

- The scope of application is restricted to cables with a rated voltage of  $\leq 1$  kV. When dimensioning cable systems with integrated functional integrity, functional impairment of the cables as a result of thermally induced increase in resistance must be considered.
- The cable system with integrated functional integrity is classified as functional integrity classes "E30", "E60" or "E90" if the cable design types and dimensions indicated in Table 1 are used with the appropriate junction boxes.
- The junction box with integrated functional integrity must be fixed to  
solid walls made of masonry according to DIN 1053-1 to -4, concrete or reinforced concrete according to DIN 1045 or aerated concrete building slabs according to DIN 4166  
or  
ceilings made of concrete or reinforced concrete according to DIN 1045 or aerated concrete according to DIN 4223  
the fire resistance class of which according to DIN 4102-2 corresponds at least to the functional integrity class of the cable system with integrated functional integrity.

- For fixing to other than the above components, applicability must be proven separately, e.g. by a general building authority test certificate.
- Combination of different installation types is permitted, provided that the functional integrity classes are the same and the usability is proven by a building authority certificate of usability.
- The applicant declared that no products are used in the design type that are subject to the German Hazardous Substances Ordinance [*Gefahrstoffverordnung*], the German Chemicals Prohibition Ordinance [*Chemikalienverbotsverordnung*] or the German CFC/Halon Prohibition Ordinance [*FCKW-Halon-Verbotsverordnung*], or that he fulfils the requirements (in particular with regard to marking) of the above regulations.

Moreover, the applicant declared that – to the extent measures relating to hygiene, health protection or environmental protection are required for trade and placing on the market, such measures are taken by the applicant and communicated as appropriate.

Due to the above declaration of the applicant, there was no reason to assess the impact of the construction product in its installed state on the fulfilment of requirements relating to health and environmental protection.

- This General Building Authority Test Certificate only addresses the construction product with regard to its fire protection properties (other aspects, such as sound and heat insulation or stability, are not taken into account).
- To the extent, further requirements are imposed on the cable system or individual parts of the cable system, their fulfilment must be demonstrated separately.

**2.1.2.1 Scope of application for power cables**

Table 1: Classification of cable design types depending on installation conditions

Cable design type <sup>1</sup>	Classifi- cation <sup>2</sup>	Junction box <sup>3</sup>	Arrangement of junction box <sup>4</sup>	Dimension <sup>5</sup>
Dätwyler Keram (N)HXH FE 180 E90 VDE 7780	E90	WKE 2	Field centre Joint	n x 1.5 mm <sup>2</sup> to n x 6 mm <sup>2</sup>
	E90	WKE 4	Field centre Joint	n x 1.5 mm <sup>2</sup> to n x 6 mm <sup>2</sup>
	E90	WKE 6	Field centre Joint	n x 1.5 mm <sup>2</sup>
	E90	WKE 6	Boom	n x 16 mm <sup>2</sup>

<sup>1</sup> According to Table 3: Cable design types used

<sup>2</sup> According to DIN 4102-12:1998-11

<sup>3</sup> According to section 4.3

<sup>4</sup> Position of junction box on support system (see section 4.3.2.1)

<sup>5</sup> Number of cores x nominal conductor cross-section [n x mm<sup>2</sup>] or number of pairs of conductors x 2 x conductor cross-section [n x 2 x mm<sup>2</sup>]; the relevant VDE papers (reference via VDE REG. NO.) must be observed with regard to further restrictions on the number of cores and on the conductor cross-section;

## 2.2 Provisions for the design type

### 2.2.1 Basis for issuing the General Building Authority Test Certificate

The basis for issuing the General Building Authority Test Certificate are the documents listed in Table 2.

Table 2: Documents underlying this General Building Authority Test Certificate (AbP)

	<b>Designation of document</b>	<b>Reference date</b>	<b>Subject</b>	<b>Issuer/testing body</b>
<b>1</b>	Application for an AbP	22 Sept. 2021	Application and formal declarations/ assurances	Günther Spelsberg GmbH + Co. KG Im Gewerbepark 1 58579 Schalksmühle
<b>2</b>	Test Report DMT - 31/164 811 94 03 109	Date of report: 28 Jul. 2021  Date of test: 22 Jul. 2021	Testing according to DIN 4102-12 under consideration of the ABM Decision BT-PRF-DE-12-14m	DMT-Prüfstelle für Brandschutz, NRW 49
<b>3</b>	VDE Certificate 40004684  VDE REG. No. 7780	14 Jan. 2003  Last amendment 31 May 2021	VDE Certificate; Opinion with production monitoring	VDE Prüf- und Zertifizierungsinstitut
<b>4</b>	Summarising assessment 811 96 40 006-10	13 Oct. 2021	Summarising assessment re P-1032 DMT DO	DMT-Prüfstelle für Brandschutz, NRW 49

This General Building Authority Test Certificate was assessed and issued according to the decisions of the working group 'Components' of the German Working Group of the Fire Protection Laboratories of the Materials Testing Bodies [ABM]. The results are presented in a summary assessment 811 96 40 006-10 re P-1042 DMT-DO dated 13 October 2021. This assessment has not been published and is deposited with the testing body.



## 2.2.2 Marking

Each cable system must be permanently marked as described below. If it is not possible to affix marks directly on the cable system, the marking must be placed close to it such that it can be easily identified. Marking must be permanent by means of a sign or a sticker.

The marking must contain the following information:

- Name of the contractor who installed the cable system
- Product designation: Cable system with junction boxes "WKE" of Günther Spelsberg GmbH + Co KG attached to cable tray "RVLC 60.400" of Niedax GmbH & Co. KG make, for use in cable systems with integrated functional integrity [*Kabelanlage mit Abzweigdosen "WKE" der Günther Spelsberg GmbH + Co. KG befestigt an Kabelrinne "RLVC 60.400" der Firma Niedax GmbH & Co. KG, zur Verwendung in Kabelanlagen mit integriertem Funktionserhalt*]
- Name of the manufacturer of the cable system
- Lettering: "Cable system with integrated functional integrity E...<sup>6</sup> according to DIN 4102-12:1998-11" [*"Kabelanlage mit integriertem Funktionserhalt E...<sup>6</sup> entsprechend DIN 4102-12:1998-11"*]
- Test certificate number: "P-1042 DMT DO of 03 November 2021"
- Lettering: "Holder of the test certificate: Günther Spelsberg GmbH + Co. KG" [Inhaber des Prüfzeugnis: Günther Spelsberg GmbH + Co. KG]
- Lettering: "Testing body: DMT GmbH & Co. KG, Testing Body for Fire Protection" [*Prüfstelle: DMT GmbH & Co. KG, Prüfstelle für Brandschutz*]
- Year of manufacture/batch designation

Markings must only be affixed if the conditions set out in section 3 for proof of conformity are fulfilled.

---

<sup>6</sup> Indication of the real functional integrity class according to Table 1

### **3. Proof of conformity**

The design type indicated in this General Building Authority Test Certificate requires proof of conformity (proof of conformity certificate) according to the specifications of VV TB NRW, edition of June 2019, Chapter C1 Paragraph 14 Sentence 2, by means of a declaration of conformity by the user (installer).

The user manufacturing the cable system with integrated functional integrity is required to issue a declaration of conformity (for a model declaration, refer to Annex 1) to the customer, certifying that the cable system with integrated functional integrity manufactured by him complies with the provisions of this General Building Authority Test Certificate.

### **4. Provisions for execution**

#### **4.1 General**

- The principal/the parties involved in the construction work commissioned by the principal are responsible for the stability and safe execution of the use of the design type, including all fixing mounts. The stability or the execution of fixing the construction product was not part of the tests underlying this General Building Authority Test Certificate.
- The construction product must not be used where requirements relating to the generation of toxic gases in case of fire must be fulfilled.
- It must be ensured that the cable system with integrated functional integrity is not adversely affected by surrounding components in case of fire for the period corresponding to its functional integrity class.
- The fixing elements for mounting the cable support systems to solid structural elements must be fixed to the solid ceiling or wall with steel expansion anchors suitable for the installation surface. Anchors without fire safety suitability proof must comply with the specifications of valid general building authority approvals issued by the German Institute for Building Technology [*Deutsches Institut für Bautechnik (DIBt)*], Berlin, and, in addition, must be installed twice as deep as stated in the approval notice - however, not less than 60 mm deep - unless stated otherwise in the approval. The calculated tensile load per anchor must not exceed 500 N (cf. DIN 4102-4:1994-03, Section 8.5.7.5).

Alternatively, anchors may be used, the fire safety suitability of which has been proved by a general building authority approval, a European technical approval or a general building authority test certificate for the duration corresponding to the classification of the cable system. They must be installed according to the specifications in the general building authority approval or general building authority test certificate.

#### 4.2 Cable design types

- Only cable design types according to Table 3 with a valid VDE approval or expert opinion with production monitoring must be used to the extent their use is provided for according to Table 1.
- The cable must be marked according to the VDE regulations.
- Only the following cable design types must be used. In this respect, the assignment according to Table 1 must be observed. At the time of use, the VDE certificate (expert opinion with production monitoring) must be available and valid.

Table 3: Cable design types used

Manufacturer	Design type/designation	VDE certificate
DÄTWYLER Cabling Solutions AG Gotthardstr. 31 CH-6460 Altdorf Switzerland	Dätwyler Keram (N)HXH FE 180 E90	7780

**4.3 Junction boxes, support system, accessories and nearest mounting**

**4.3.1 Junction boxes**

**4.3.1.1 WKE 2**

Designation:	Cable junction box, "WKE 2" type
Manufacturer:	Günther Spelsberg GmbH + Co. KG Im Gewerbepark 1 58579 Schalksmühle GERMANY
Dimensions of junction box, incl. lid:	100.2 x 100 x 69.8 (LxWxH in mm)
Material:	Polycarbonate – flame retardant (PC-FR)
Colour:	RAL 2004 (pure orange)
Enclosure:	IP 66
Cable bushing from socket:	<ul style="list-style-type: none"> <li>■ Double-membrane seal of thermoplastic elastomer (TPE)</li> <li>■ According to section 4.3.4</li> <li>■ Only one cable may be routed out of the bushing.</li> </ul>
Cable terminal:	<ul style="list-style-type: none"> <li>■ According to section 4.3.3</li> </ul>
Support bracket/ mounting plate of junction box: (designation, dimensions, material)	<p>Mounting plate "WKE"</p> <ul style="list-style-type: none"> <li>■ Dimensions: 60 mm x 68 mm x 65 mm x 180 mm</li> <li>■ Steel</li> </ul>
Fastening of cable junction box to mounting plate "WKE":	<p>Fastening of cable junction box to mounting plate "WKE"</p> <ul style="list-style-type: none"> <li>■ The junction box is fastened to the mounting plate "WKE" by means of fastening lugs on the sides of the cable junction box with one pan head screw each with square neck "FLM 6x12" and hexagon flange nut</li> <li>■ Number of mounting plates "WKE": 1 off</li> </ul>
Fastening of support rail (for cable terminal) with cable junction box:	<p>Fastening of support rail for cable terminal with cable junction box</p> <ul style="list-style-type: none"> <li>■ Fastening lug (rail) pressed into two floor recesses;</li> <li>■ Centrally in cable junction box support rail by means of an M5 x 12 screw and matching washer</li> </ul>
Construction details of the support structure:	see Annexes

**4.3.1.2 WKE 4**

Designation:	Cable junction box, "WKE 4" type
Manufacturer:	Günther Spelsberg GmbH + Co. KG Im Gewerbepark 1 58579 Schalksmühle GERMANY
Dimensions of junction box, incl. lid:	150.2 x 150 x 84.8 (LxWxH in mm)
Material:	Polycarbonate – flame retardant (PC-FR)
Colour:	RAL 2004 (pure orange)
Enclosure:	IP 66
Cable bushing from socket:	<ul style="list-style-type: none"> <li>■ Double-membrane seal of thermoplastic elastomer (TPE)</li> <li>■ According to section 4.3.4</li> <li>■ Only one cable may be routed out of the bushing.</li> </ul>
Cable terminal:	<ul style="list-style-type: none"> <li>■ According to section 4.3.3</li> </ul>
Support bracket/ mounting plate of junction box: (designation, dimensions, material)	<p>Mounting plate "WKE"</p> <ul style="list-style-type: none"> <li>■ Dimensions: 60 mm x 68 mm x 65 mm x 180 mm</li> <li>■ Steel</li> </ul>
Fastening of cable junction box to mounting plate "WKE"	<p>Fastening of cable junction box to mounting plate "WKE"</p> <ul style="list-style-type: none"> <li>■ The junction box is fastened to the mounting plate "WKE" by means of fastening lugs on the sides of the cable junction box with one pan head screw each with square neck "FLM 6x12" and hexagon flange nut</li> <li>■ Number of mounting plates "WKE": 2 off</li> </ul>
Fastening of support rail (for cable terminal) with cable junction box:	<p>Fastening of support rail for cable terminal with cable junction box</p> <ul style="list-style-type: none"> <li>■ Fastening lug (rail) pressed into two floor recesses;</li> <li>■ Centrally in cable junction box support rail by means of an M5 x 12 screw and matching washer</li> </ul>
Construction details of the support structure:	see Annexes

**4.3.1.3 WKE 6**

Designation:	Cable junction box, "WKE 6" type
Manufacturer:	Günther Spelsberg GmbH + Co. KG Im Gewerbepark 1 58579 Schalksmühle GERMANY
Dimensions of junction box, incl. lid:	250.2 x 200 x 119.8 (LxWxH in mm)
Material:	Polycarbonate – flame retardant (PC-FR)
Colour:	RAL 2004 (pure orange)
Enclosure:	IP 66
Cable bushing from socket:	<ul style="list-style-type: none"> <li>■ Double-membrane seal of thermoplastic elastomer (TPE)</li> <li>■ According to section 4.3.4</li> <li>■ Only one cable may be routed out of the bushing.</li> </ul>
Cable terminal:	<ul style="list-style-type: none"> <li>■ According to section 4.3.3</li> </ul>
Support bracket/ mounting plate of junction box: (designation, dimensions, material)	<p>Mounting plate "WKE"</p> <ul style="list-style-type: none"> <li>■ Dimensions: 60 mm x 68 mm x 65 mm x 180 mm</li> <li>■ Steel</li> </ul>
Fastening of cable junction box to mounting plate "WKE"	<p>Fastening of cable junction box to mounting plate "WKE"</p> <ul style="list-style-type: none"> <li>■ The junction box is fastened to the mounting plate "WKE" by means of fastening lugs on the sides of the cable junction box with one pan head screw each with square neck "FLM 6x12" and hexagon flange nut</li> <li>■ Number of mounting plates "WKE": 2 off</li> </ul>
Fastening of support rail (for cable terminal) with cable junction box:	<p>Fastening of support rail for cable terminal with cable junction box</p> <ul style="list-style-type: none"> <li>■ Fastening lug (rail) pressed into two floor recesses;</li> <li>■ Centrally in cable junction box support rail by means of an M5 x 12 screw and matching washer</li> </ul>
Construction details of the support structure:	see Annexes

**4.3.2 Support system**

**4.3.2.1 Cable tray "RLVC 60.400**

Designation:	Cable tray, "RLVC 60.400 S" type
Manufacturer:	Niedax GmbH & Co. KG Asbacher Strasse 141 53545 Linz/Rhine GERMANY
Mounting type:	<ul style="list-style-type: none"> <li>■ Ceiling mounting</li> <li>■ Wall mounting</li> </ul>
Support spacing:	≤ 1500 mm
Total load:	≤ 20 kg/m
Cable tray: (designation, material, fastening)	<p>Cable tray type "RLVC 60.400 S"</p> <ul style="list-style-type: none"> <li>■ Width: 400 mm</li> <li>■ Tie bar height: 60 mm</li> <li>■ Material thickness: 0.9 mm</li> <li>■ Hole percentage: 11.4%</li> <li>■ Steel, surface strip galvanised according to DIN EN 10346</li> </ul> <p>Mounting on bracket "KTAS 400"</p> <ul style="list-style-type: none"> <li>■ The cable tray "RLVC 60.400 S" is screwed to the bracket on each side with a pan head screw with square neck "FLM 6 x 12" and hexagon flange nut</li> <li>■ Screw head to the cable tray interior</li> </ul>
Joint connection: (designation, material, description)	<ul style="list-style-type: none"> <li>■ Cable trays "RLVC 60.400 S" inserted into each other at joints; additional fastening in the cable tray bottom by means of two pan head screws with square neck "FLM 6x12" and hexagon flange nuts as well as one pan head screw "FLM 6x12" and hexagon flange nut per tray tie bar</li> </ul>
Suspension pole: (designation, material)	<p>Suspension pole, "HU 5050/1100" type</p> <ul style="list-style-type: none"> <li>■ U section: 50 x 50 mm</li> <li>■ L = 1105 mm</li> <li>■ Material thickness: 2.5 mm</li> <li>■ Dimensions of head plate (LxWxD):             <ul style="list-style-type: none"> <li>- 140 x 80 x 5 mm</li> </ul> </li> <li>■ Steel hot-dip galvanised DIN EN ISO 1461</li> </ul>

Designation:	Cable tray, "RLVC 60.400 S" type
Suspension pole attachment for ceiling mounting: (designation, material, description)	Suspension pole of "HU 5050/1100" type are fastened by means of two fasteners $\geq$ M12(also see section 4.1): <ul style="list-style-type: none"> <li>■ Galvanised steel</li> </ul>
Number of levels on suspension pole:	<ul style="list-style-type: none"> <li>■ Provided with up to two levels</li> <li>■ Distance between levels not less than <math>\geq</math> 400 mm</li> <li>■ Distance from ceiling to lowest level: <math>\leq</math> 780 mm</li> </ul>
Bracket/console: (designation, material)	Suspension pole and wall bracket, "KTAS 400" type <ul style="list-style-type: none"> <li>■ Steel 2.0 mm</li> <li>■ Hot-dip galvanised steel</li> </ul>
Bracket or console attachment: (designation, material, description)	Suspension pole and wall bracket, "KTAS 400" type, mounted to suspension pole "HU 5050/1100": <ul style="list-style-type: none"> <li>■ Using hexagon head screw "SKM 10 x 80" with washer and hexagon flange nut "SMF 10 1661 F"</li> <li>■ Inserted suspension pole spacer "HDS 5050"                     <ul style="list-style-type: none"> <li>- Dimensions: 80 mm x 36 mm</li> <li>- Width: 43 mm</li> <li>- Material thickness 1.5 mm</li> <li>- Hot-dip galvanised steel</li> </ul>                     fixed by means of the above hexagon head screw "SKM 10 x 80" hexagon flange nut                 </li> </ul>
Fastening of mounting plate "WKE" to cable tray:	<ul style="list-style-type: none"> <li>■ The "WKE" mounting plate is pushed over the tray tie bar and fastened in the cable tray bottom by means of two pan head screws with square neck "FLM 6x12" and hexagon flange nuts</li> </ul>
Positioning of mounting plate "WKE" with cable junction box on support system:	Permitted positioning of mounting plate "WKE" with cable junction box on support system: <ul style="list-style-type: none"> <li>■ WKE 2:                     <ul style="list-style-type: none"> <li>- Field centre</li> <li>- Joint (next to screwed joint)</li> </ul> </li> <li>■ WKE 4:                     <ul style="list-style-type: none"> <li>- Field centre</li> <li>- Joint (next to screwed joint)</li> </ul> </li> <li>■ WKE 6:                     <ul style="list-style-type: none"> <li>- Field centre</li> <li>- Joint (next to screwed joint, not centrally above joint)</li> <li>- Tie bar (1st mounting plate "WKE" above tie bar "KTAS 400")</li> </ul> </li> </ul>



Designation:	Cable tray, "RLVC 60.400 S" type
Construction details of the support structure:	see Annexes

### 4.3.3 Cable terminals

Cable terminals must be selected according to, and suitable for, the relevant core cross-section. The following cable terminals (also refer to the drawings in the appendix) may be considered:

- Spelsberg make single ceramic terminal 6 mm<sup>2</sup>
- Spelsberg make single ceramic terminal 10 mm<sup>2</sup>
- Spelsberg make single ceramic terminal 16 mm<sup>2</sup>
- Spelsberg make double ceramic terminal 6 mm<sup>2</sup>
- Spelsberg make double ceramic terminal 10 mm<sup>2</sup>
- Spelsberg make double ceramic terminal 16 mm<sup>2</sup>

The terminal box must be made of a Steatite MRP 6 ceramic material. The socket terminal body must be made of copper material. Further constructional details regarding the design of the terminals can be found in the annexes.

### 4.3.4 Cable bushings

#### 4.3.4.1 Membrane bushings

Membrane bushings must be made of thermoplastic elastomer (TPE). The following membrane bushings may be considered:

- Spelsberg make, type M16 double-membrane seal
- Spelsberg make, type M20 double-membrane seal
- Spelsberg make, type M25 double-membrane seal
- Spelsberg make, type M32 double-membrane seal
- Spelsberg make, type double-membrane seal four-fold DMS-M32
- Spelsberg make, type M40 double-membrane seal
- Spelsberg make, type double-membrane seal four-fold DMS-M40

Further constructional details regarding the design of the membrane bushings can be found in the annexes.

#### **4.3.5 Fastening distance of first cable clamp after cable junction box WKE on cable tray**

The fastening distance of the first cable clip after the cable junction box "WKE" on the cable tray results from the core cross-section used. The following fastening distances may be considered:

- Core cross-section  $1.5 \text{ mm}^2$ : fastening distance = 350 mm
- Core cross-section  $> 1.5 \text{ mm}^2 \leq 6 \text{ mm}^2$ : fastening distance = 400 mm
- Core cross-section  $> 6 \text{ mm}^2 \leq 16 \text{ mm}^2$ : fastening distance = 500 mm

#### **4.3.6 Single clip/RS clip**

The cable must be routed using single-shell pipe clips of Althaus make or equivalent. The single clips must be made of steel.

The nominal application range of the single clip must correspond to the diameter of the cable.

Further constructional details regarding the design of the single-shell pipe clips can be found in the annexes.

## **5 Maintenance and servicing of the construction product**

- The construction product in use must not be exposed to any loads beyond or outside the intended purpose. The manufacturer is required to describe the intended use in his accompanying documents, not giving rise to concern that the properties of the construction product will be adversely affected.
- The construction product in use must not be exposed to the impact of aggressive/harsh chemicals/cleaning agents. The manufacturer is required to specify such cleaning methods and products in the accompanying documents, the use of which does not adversely affect the properties of the construction product.
- If significant deterioration of the properties of the construction product over time cannot be ruled out, the manufacturer is required to specify a maximum durability of the construction product.
- For any design of the cable system with integrated functional integrity, the user is required to notify the principal that the fire safety effect of the cable system with integrated functional integrity can only be ensured in the long term if the cable system, i.e. the cable design types and the cable support structure, is always kept in proper condition and the condition of the cable system with integrated functional integrity according to its intended use is restored after any retrofitting with cables.

## **6 Legal basis**

This General Building Authority Test Certificate is issued on the basis of Section 17 Paragraph 3 in conjunction with Section 22 Paragraph 2 of the Building Regulations for the Federal State of North Rhine-Westphalia (*BauO NRW*) of 15 December 2016 in conjunction with the VV TB NRW, serial number C4.9, edition of June 2019. The building regulations of the other federal states contain corresponding legal bases in Section 19 Paragraph 2 Sentence 2 in conjunction with Section 18 Paragraph 7 of the Model Building Code (*MBO*), in the version of November 2002 and last amended by the Resolution of the Conference of Ministers of Construction (*Bauministerkonferenz*) in May 2016, which also govern the recognition of general building authority test certificates issued by the testing bodies of other federal states.

**7 Information on legal remedies**

This notice may be disputed by bringing an action against it within one month upon notification. The action shall be filed in writing with, or recorded at, the Administrative Court of Gelsenkirchen, Bahnhofsvorplatz 3, 45879 Gelsenkirchen.

The action may also be submitted in electronic form to the administrative courts and fiscal courts in the Federal State of North Rhine-Westphalia according to the Electronic Legal Transactions Regulation - ERVVO VG/FG - of 7 November 2012 (GVNRW.2012 p. 548). In this case, the electronic document must be provided with a qualified signature according to Section 2 No. 3 of the Signature Act (*Signaturgesetz*) of 16 May 2001 (Federal Gazette I p. 876), as amended, and needs to be sent to the electronic inbox of the court.

Note: Special technical conditions must be observed when using the electronic form. Such special technical requirements are listed at [www.egvp.de](http://www.egvp.de).

Dortmund, 03 November 2021

*[Seal: DMT Testing Body for Fire Protection  
DMT]*

*[signature illegible]*  
\_\_\_\_\_  
Dipl.-Ing. (FH) Nadine Niederberghaus  
(Deputy Head of the Testing Body)

*[signature illegible]*  
\_\_\_\_\_  
Sebastian Feldmann, M.Sc.  
(Clerk)

DECLARATION OF CONFORMITY

Name and address of the contractor having built the cable system with integrated functional integrity:  
.....\*

Construction site/building/property/project:  
.....\*

Date of manufacture:  
.....\*

Required functional integrity class of the cable system(s) with integrated functional integrity:  
E.....\* according to DIN 4102-12:1998-11

It is hereby confirmed that the cable system(s) with integrated functional integrity of the functional integrity class mentioned above has/have been manufactured and installed in a professional manner regarding any details and in compliance with all provisions of the General Building Authority Test Certificate No. P-1042 DMT DO issued by DMT GmbH & Co. KG, Prüfstelle für Brandschutz, Dortmund, dated 03 November 2021.

For the construction products or individual parts not manufactured by the signatory himself (e.g. cable design types), this is also hereby confirmed on the basis of [the existing marking of the parts according to the provisions of the general building authority test certificate/own inspections/relevant written confirmations of the manufacturers of the construction products or parts, which are kept by the signatory]\*\*.

\_\_\_\_\_  
Place, date

\_\_\_\_\_  
Stamp and signature

(This certificate must be handed over to the principal to be forwarded to the competent building supervisory authority!)

\*) to be completed by the signatory \*\*) delete as applicable

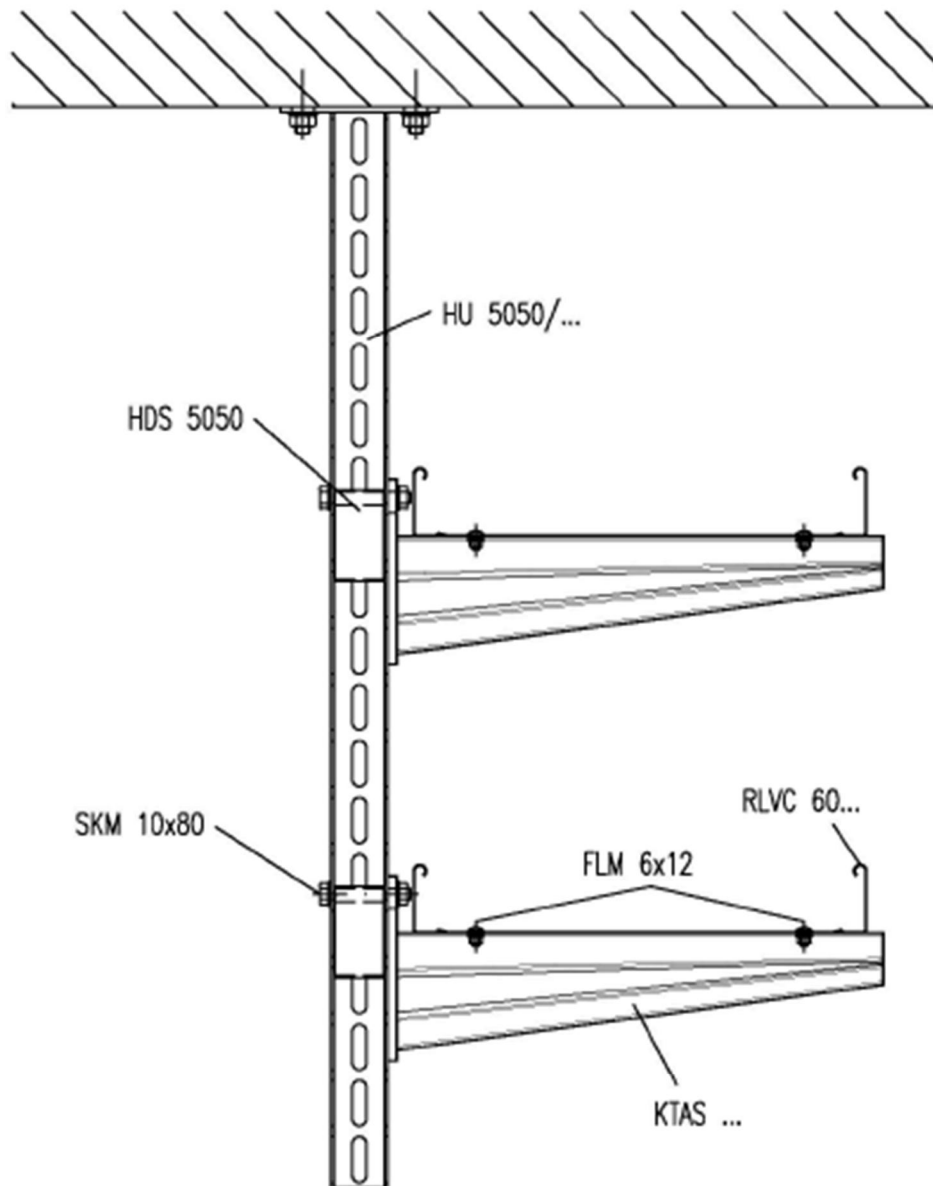
[Seal: DMT Testing Body  
for Fire Protection  
DMT]


Cable system with integrated functional integrity: "WKE" junction boxes of Günther Spelsberg GmbH + Co KG attached to cable tray "RLVC 60.400" of Niedax GmbH & Co. KG, for use in cable systems with integrated functional integrity



Model of a declaration of conformity

to the General Building Authority Test  
Certificate P-1042 DMT DO of 03/11/2021



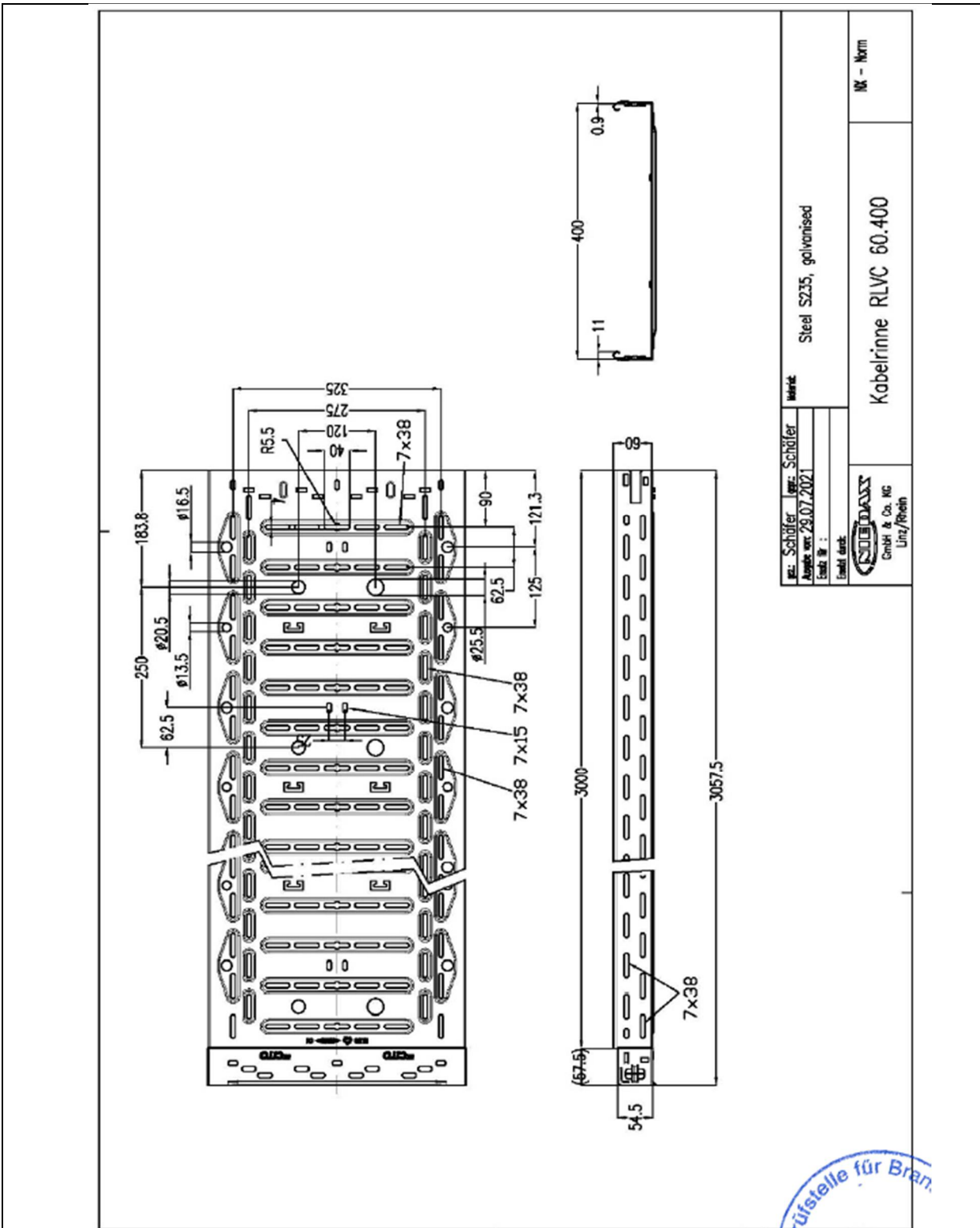
 GmbH & Co. KG Linz/Rhein	Verwendung: <b>Kabelrinnen-Abhängung</b> Ausgabe vom: 28.07.2021
--	---

Cable system with integrated functional integrity: "WKE" junction boxes of Günther Spelsberg GmbH + Co KG attached to cable tray "RLVC 60.400" of Niedax GmbH & Co. KG, for use in cable systems with integrated functional integrity

Support system, ceiling mounting design:  
 Cable tray "RLVC 60.400"



Annex 2  
 to the General Building Authority Test  
 Certificate P-1042 DMT DO of 03/11/2021



Ing. Schäfer Ausfert. vom 29.07.2021 Blatt Nr. : Einzel druck	Ing. Schäfer Ausfert. vom 29.07.2021 Blatt Nr. : Einzel druck	Stahl S235, galvanised Kabelrinne RLVC 60.400 WK - Norm
--	--	---

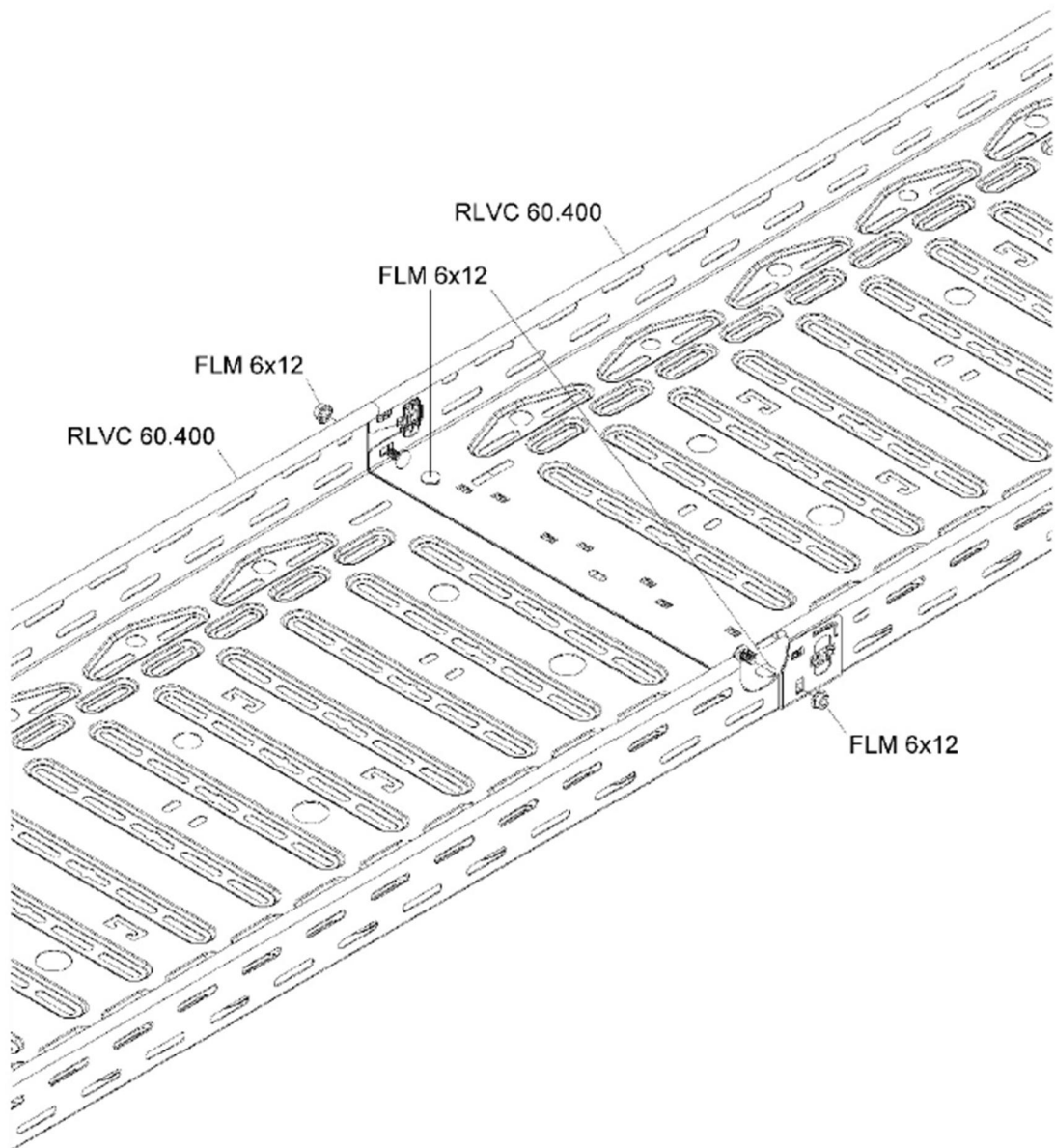
Originalformet A3

DMT  
 Prüfstelle für Brand  
 Das Bild zeigt nicht die tatsächliche Ausführung des Bauteils.  
 Die Ausführung ist im Detail zu entnehmen.  
 Die Ausführung ist im Detail zu entnehmen.

Cable system with integrated functional integrity: "WKE" junction boxes of Günther Spelsberg GmbH + Co KG attached to cable tray "RLVC 60.400" of Niedax GmbH & Co. KG, for use in cable systems with integrated functional integrity

Support system cable tray "RLVC 60.400":  
 Detail drawing

**DMT**  
 Annex 3  
 to the General Building Authority Test  
 Certificate P-1042 DMT DO of 03/11/2021



 GmbH & Co. KG Linz/Rhein	Verwendung: Stoßstelle Kabelrinne RLVC 60.400 <span style="float: right;">Ausgabe vom: 03.12.2010</span>
--	---

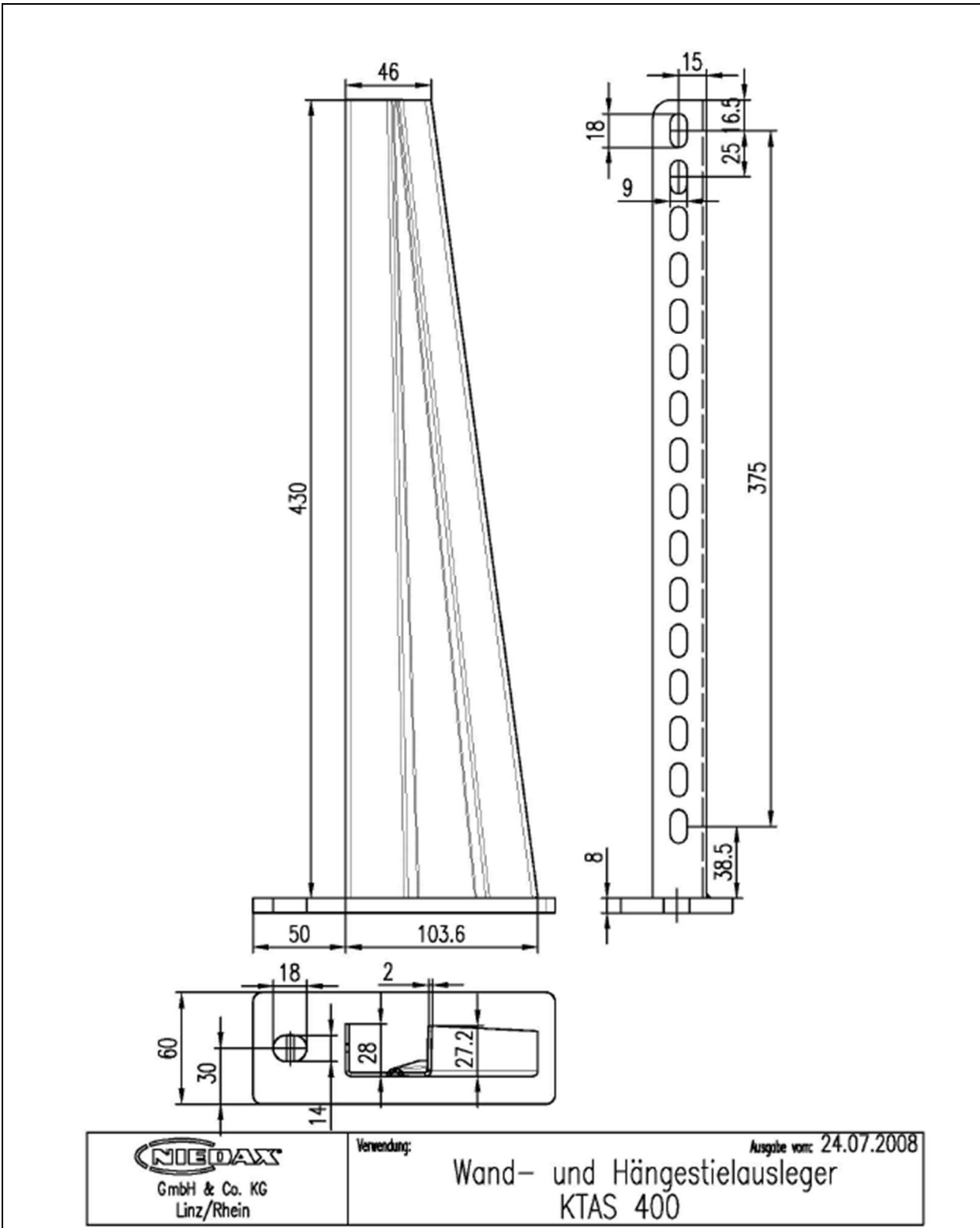
Cable system with integrated functional integrity: "WKE" junction boxes of Günther Spelsberg GmbH + Co KG attached to cable tray "RLVC 60.400" of Niedax GmbH & Co. KG, for use in cable systems with integrated functional integrity

Support system cable tray "RLVC 60.400":  
 Design of joint




Annex 4  
 to the General Building Authority Test  
 Certificate P-1042 DMT DO of 03/11/2021

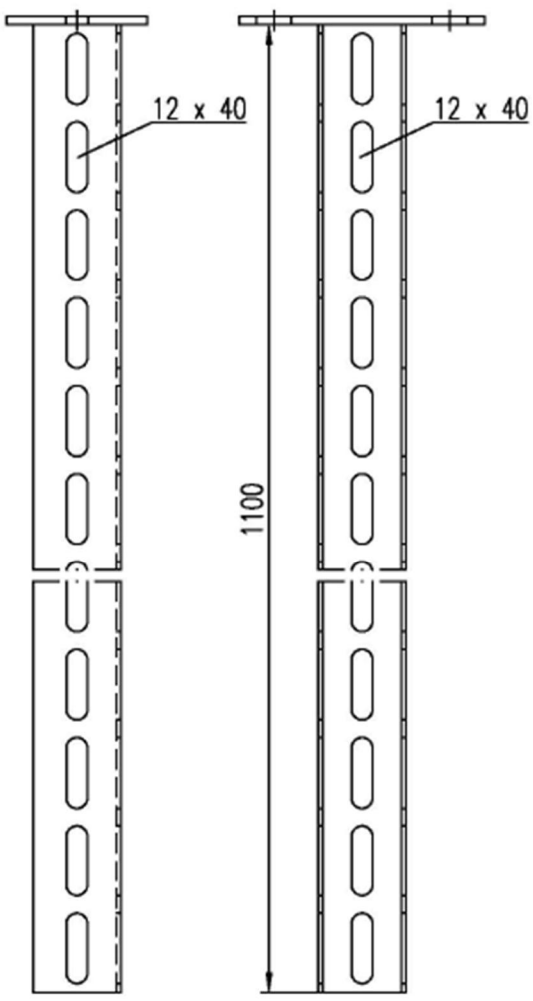
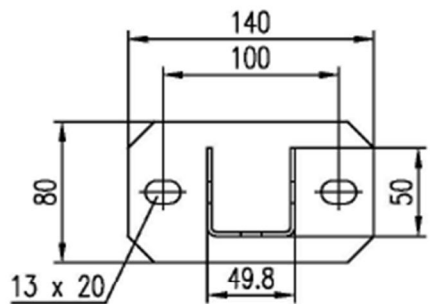




Cable system with integrated functional integrity: "WKE" junction boxes of Günther Spelsberg GmbH + Co KG attached to cable tray "RLVC 60.400" of Niedax GmbH & Co. KG, for use in cable systems with integrated functional integrity

Support system cable tray "RLVC 60.400":  
 Detail drawing "Wall and suspension pole KTAS 400"

  
 Annex 5  
 to the General Building Authority Test  
 Certificate P-1042 DMT DO of 03/11/2021



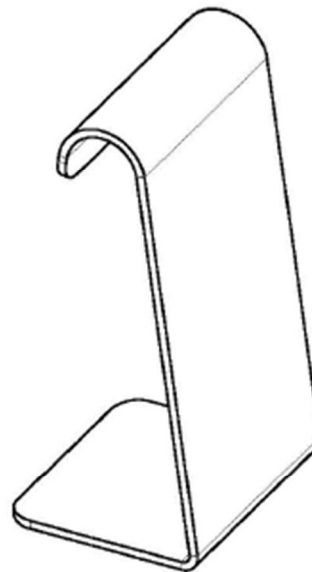
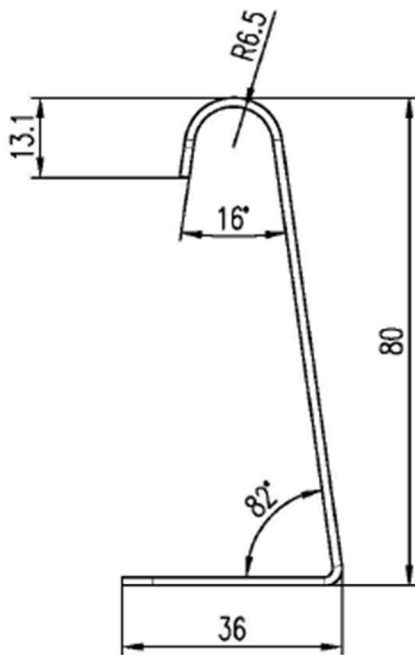
 GmbH & Co. KG Linz/Rhein	Verwendung:	Hängestiel HU 5050/1100	Ausgabe vom: 28.07.2021
--	-------------	----------------------------	-------------------------

Cable system with integrated functional integrity: "WKE" junction boxes of Günther Spelsberg GmbH + Co KG attached to cable tray "RLVC 60.400" of Niedax GmbH & Co. KG, for use in cable systems with integrated functional integrity

Support system cable tray "RLVC 60.400":  
 Detail drawing "Suspension pole HU 5050/1100"



Annex 6  
 to the General Building Authority Test  
 Certificate P-1042 DMT DO of 03/11/2021



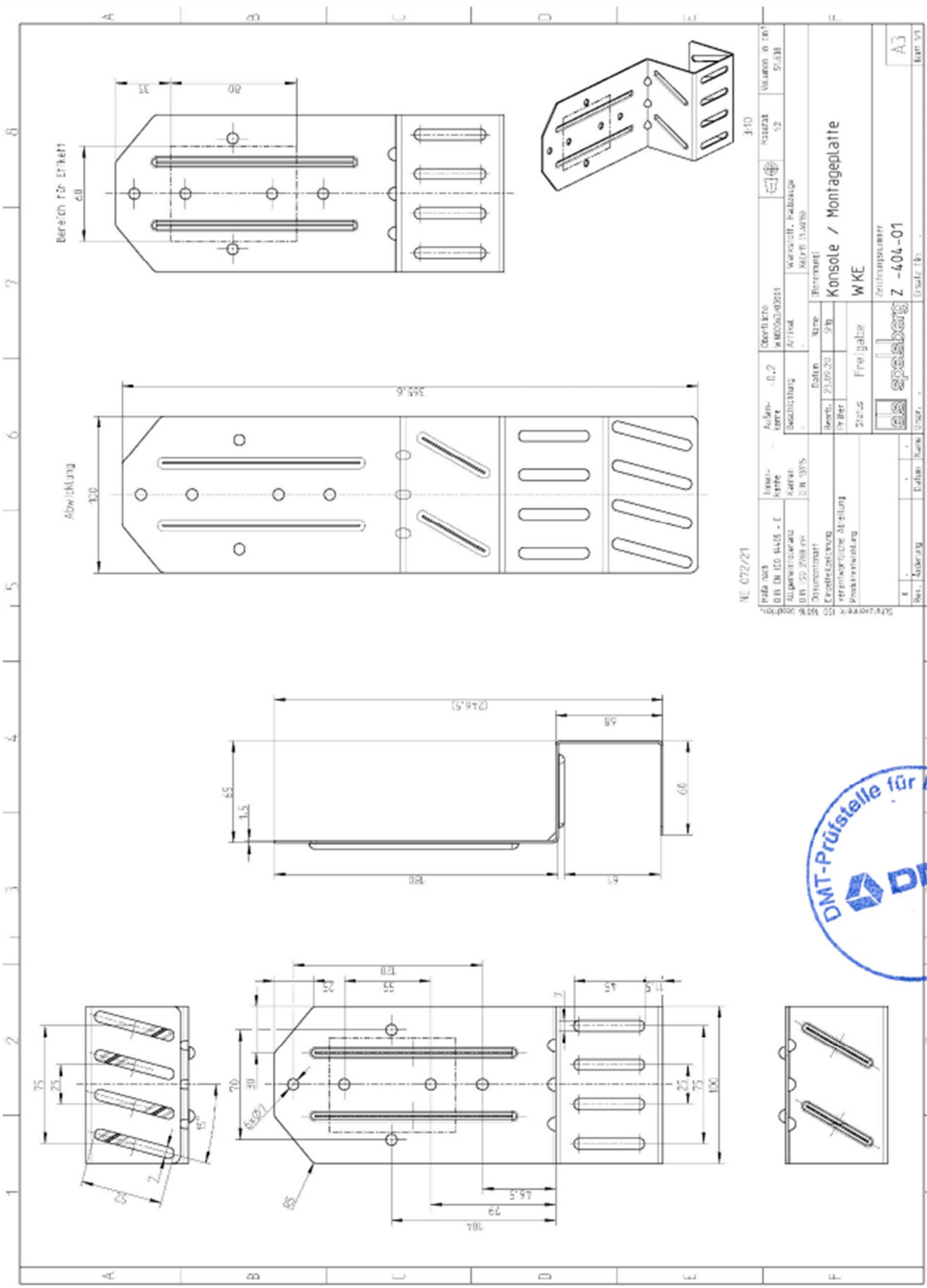
 GmbH & Co. KG Linz/Rhein	Verwendung: Hängestieldistanzprofil HDS 5050	Ausgabe vom: 23.07.2008
--	---	-------------------------

Cable system with integrated functional integrity: "WKE" junction boxes of Günther Spelsberg GmbH + Co KG attached to cable tray "RLVC 60.400" of Niedax GmbH & Co. KG, for use in cable systems with integrated functional integrity

Support system cable tray "RLVC 60.400":  
 Detail drawing "Suspension pole spacer HDS 5050"




Annex 7  
 to the General Building Authority Test  
 Certificate P-1042 DMT DO of 03/11/2021



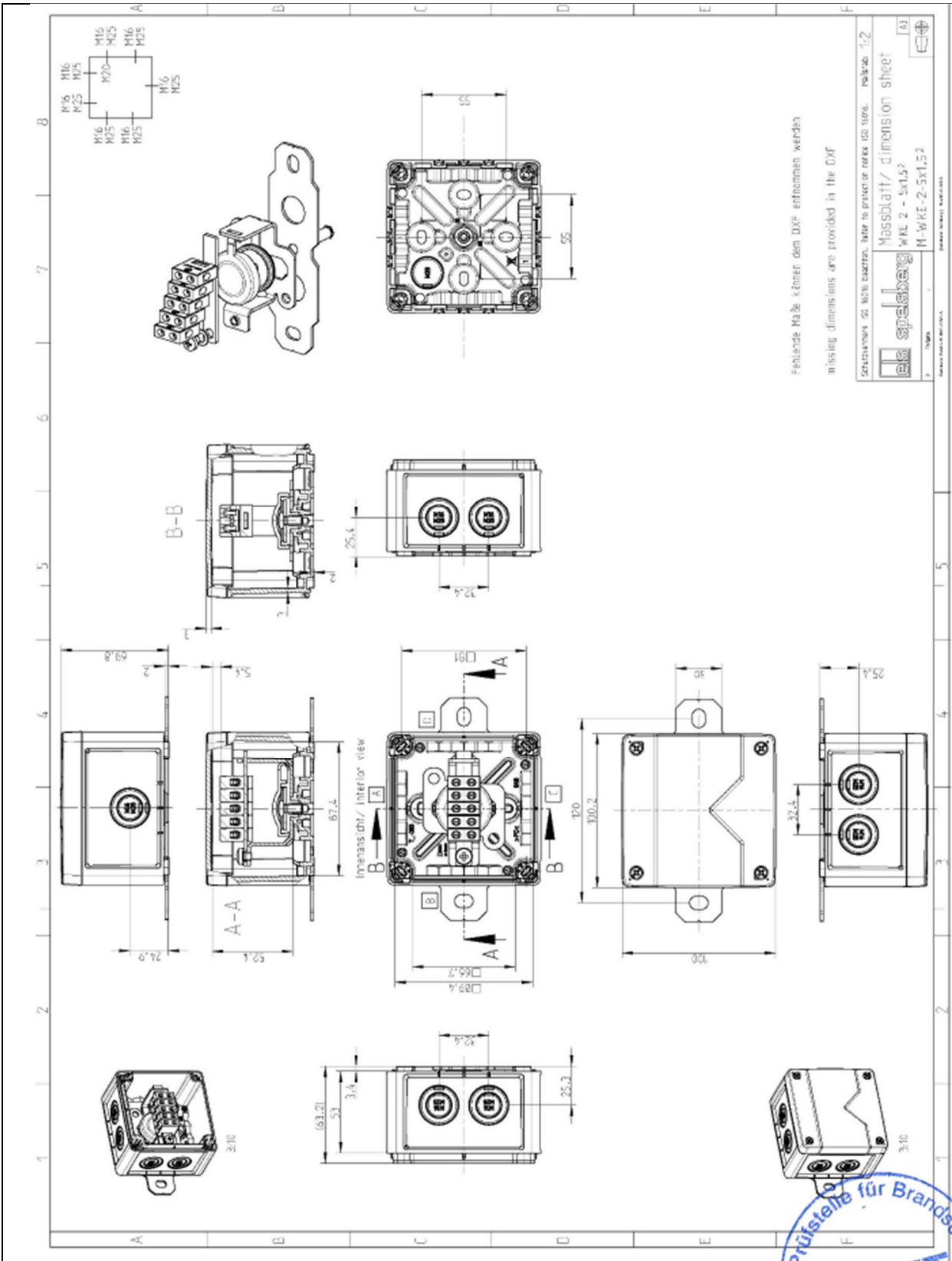
ME 072/21		Auftrag 0.2		Obwohl 40003/00251	3-D	Menge 52		Maßstab 1:1	
Produzent Günther Spelsberg GmbH + Co KG		Arbeitsart Freigabe		Projekt 11-0010	Menge 52		Maßstab 1:1		
Zustellung 0.1.19.20		Arbeitsart Freigabe		Projekt 11-0010		Menge 52		Maßstab 1:1	
Bezeichnung Konsolle / Montageplatte		Arbeitsart Freigabe		Projekt 11-0010		Menge 52		Maßstab 1:1	
Produzent Günther Spelsberg GmbH + Co KG		Arbeitsart Freigabe		Projekt 11-0010		Menge 52		Maßstab 1:1	
Zustellung 0.1.19.20		Arbeitsart Freigabe		Projekt 11-0010		Menge 52		Maßstab 1:1	

Cable system with integrated functional integrity: "WKE" junction boxes of Günther Spelsberg GmbH + Co KG attached to cable tray "RLVC 60.400" of Niedax GmbH & Co. KG, for use in cable systems with integrated functional integrity

Support system cable tray "RLVC 60.400"  
Detail drawing of console / mounting plate "WKE"



**DMT**  
 Annex 8  
 to the General Building Authority Test  
 Certificate P- 1042 DMT DO of 03/11/2021

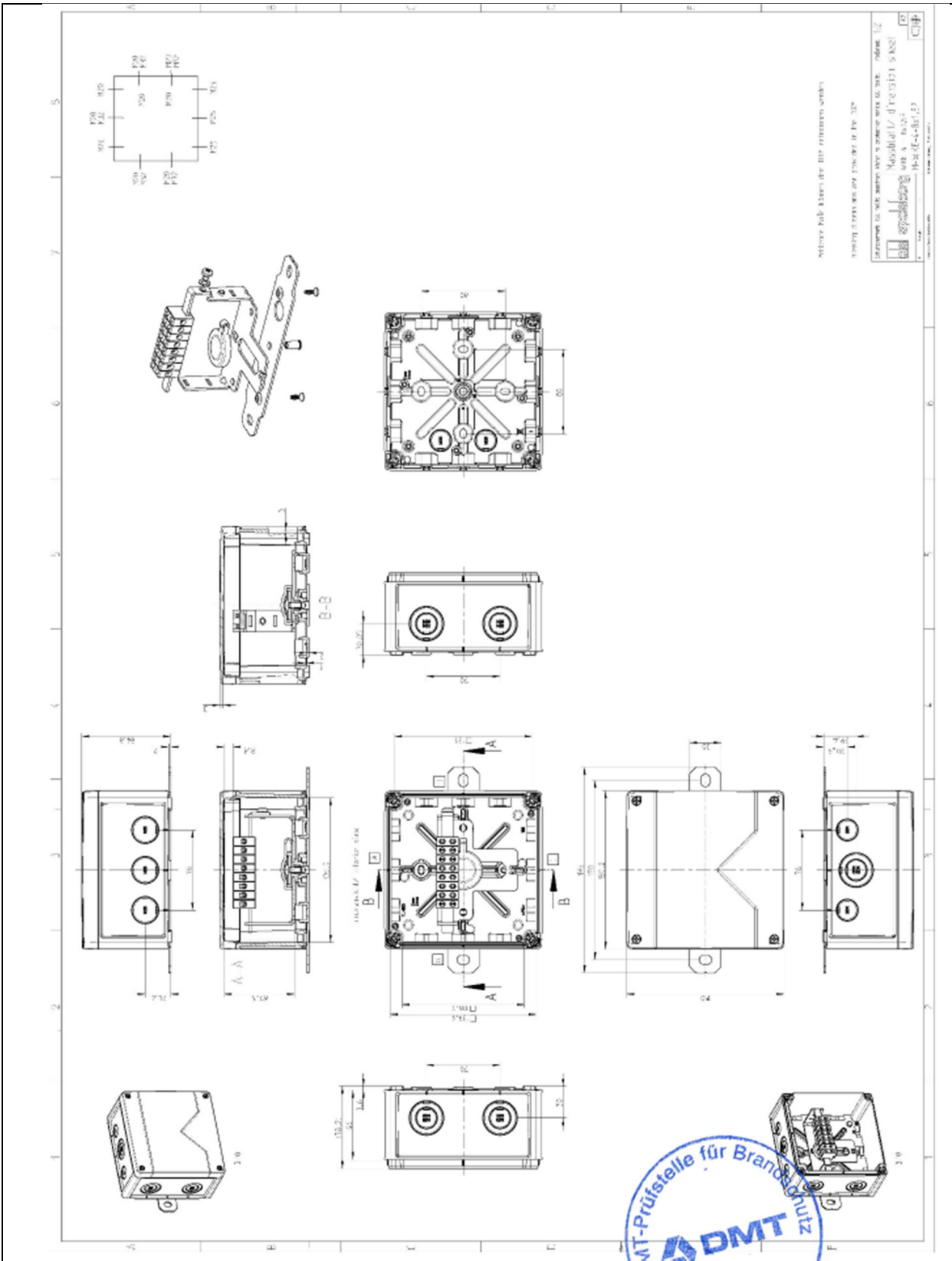




Cable system with integrated functional integrity: "WKE" junction boxes of Günther Spelsberg GmbH + Co KG attached to cable tray "RLVC 60.400" of Niedax GmbH & Co. KG, for use in cable systems with integrated functional integrity


WKE 2:  
Drawing of junction box "WKE 2"

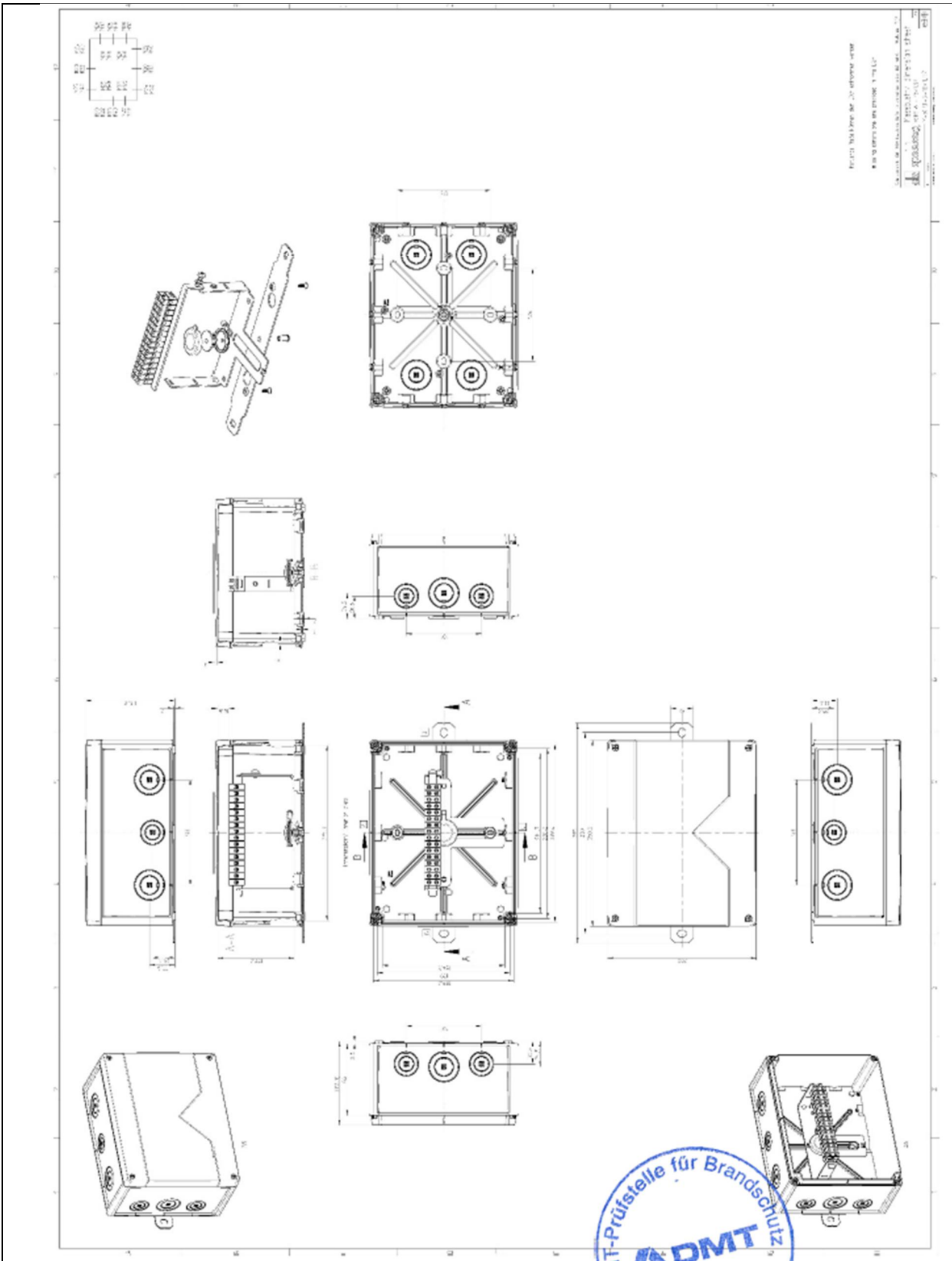
  
 Annex 9  
 to the General Building Authority Test  
 Certificate P-1042 DMT DO of 03/11/2021



Cable system with integrated functional integrity: "WKE" junction boxes of Günther Spelsberg GmbH + Co KG attached to cable tray "RLVC 60.400" of Niedax GmbH & Co. KG, for use in cable systems with integrated functional integrity


WKE 4:  
Drawing of junction box "WKE 4"

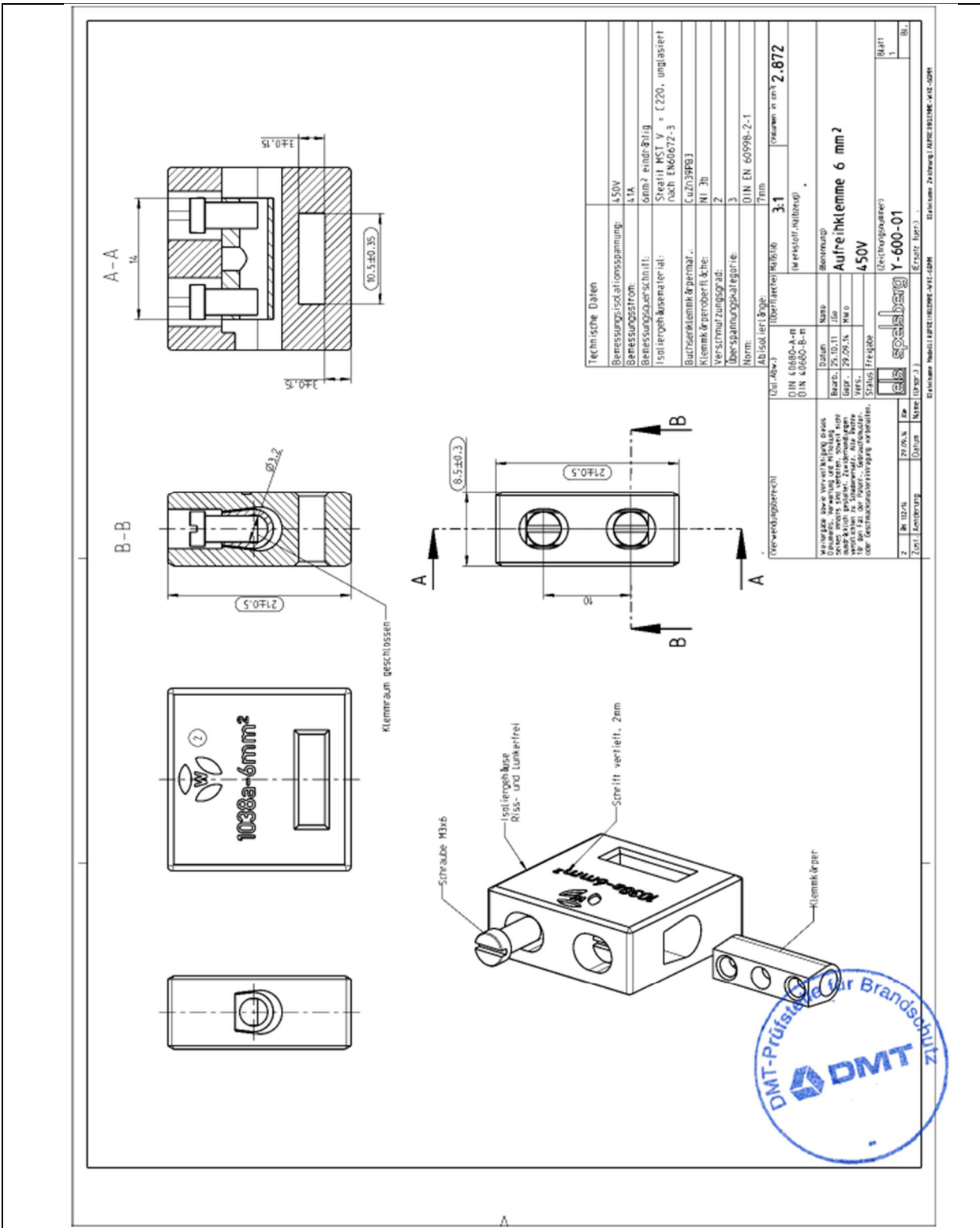
  
 Annex 10  
 to the General Building Authority Test  
 Certificate P-1042 DMT DO of 03/11/2021



Cable system with integrated functional integrity: "WKE" junction boxes of Günther Spelsberg GmbH + Co KG attached to cable tray "RLVC 60.400" of Niedax GmbH & Co. KG, for use in cable systems with integrated functional integrity

WKE 6:  
Drawing of junction box "WKE 6"


  
 Annex 11  
 to the General Building Authority Test  
 Certificate P-1042 DMT DO of 03/11/2021



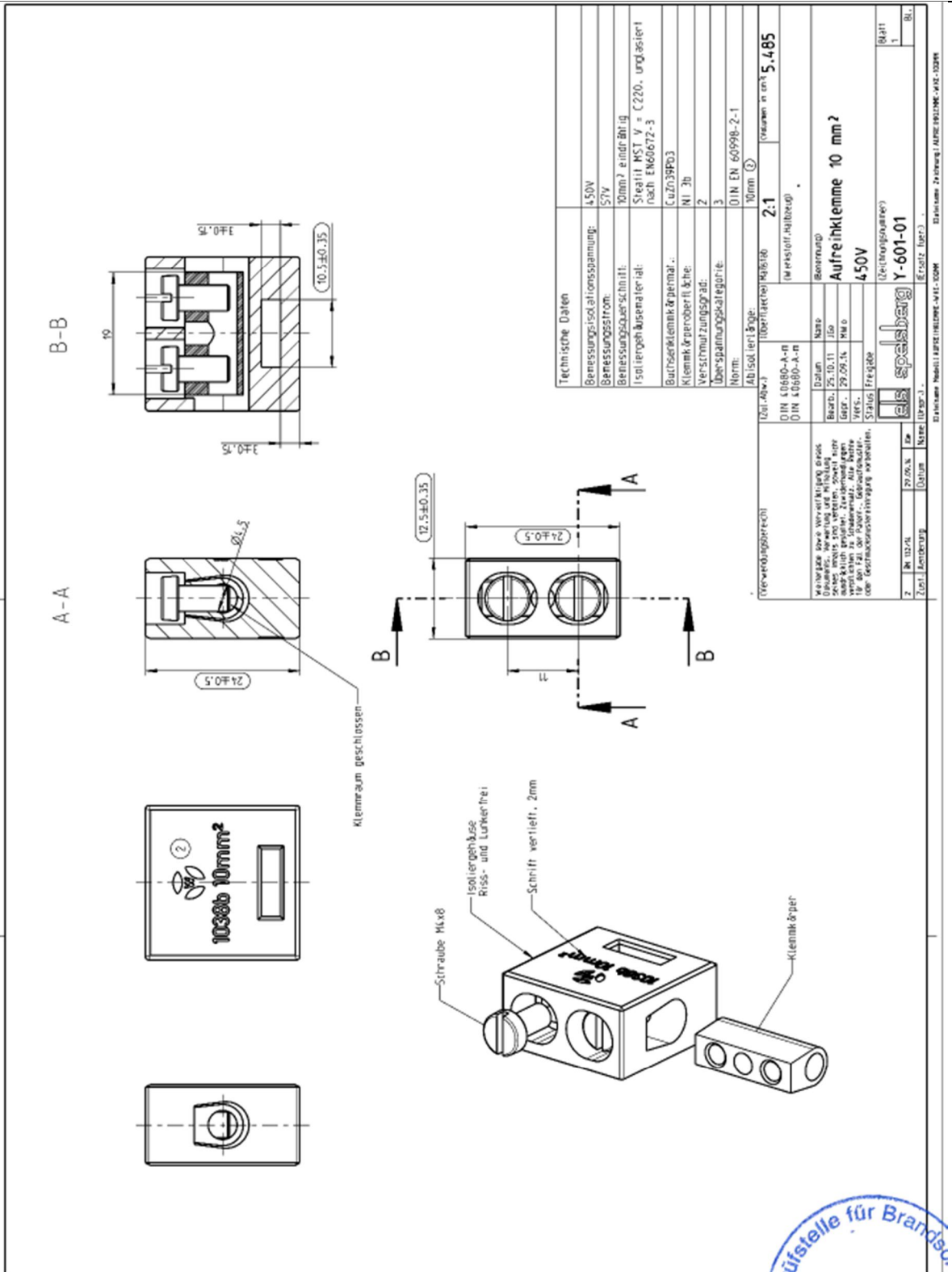
Cable system with integrated functional integrity: "WKE" junction boxes of Günther Spelsberg GmbH + Co KG attached to cable tray "RLVC 60.400" of Niedax GmbH & Co. KG, for use in cable systems with integrated functional integrity

Single clip 6 mm<sup>2</sup>  
 Drawing of single clip 6 mm<sup>2</sup>



Annex 12  
 to the General Building Authority Test  
 Certificate P-1042 DMT DO of 03/11/2021





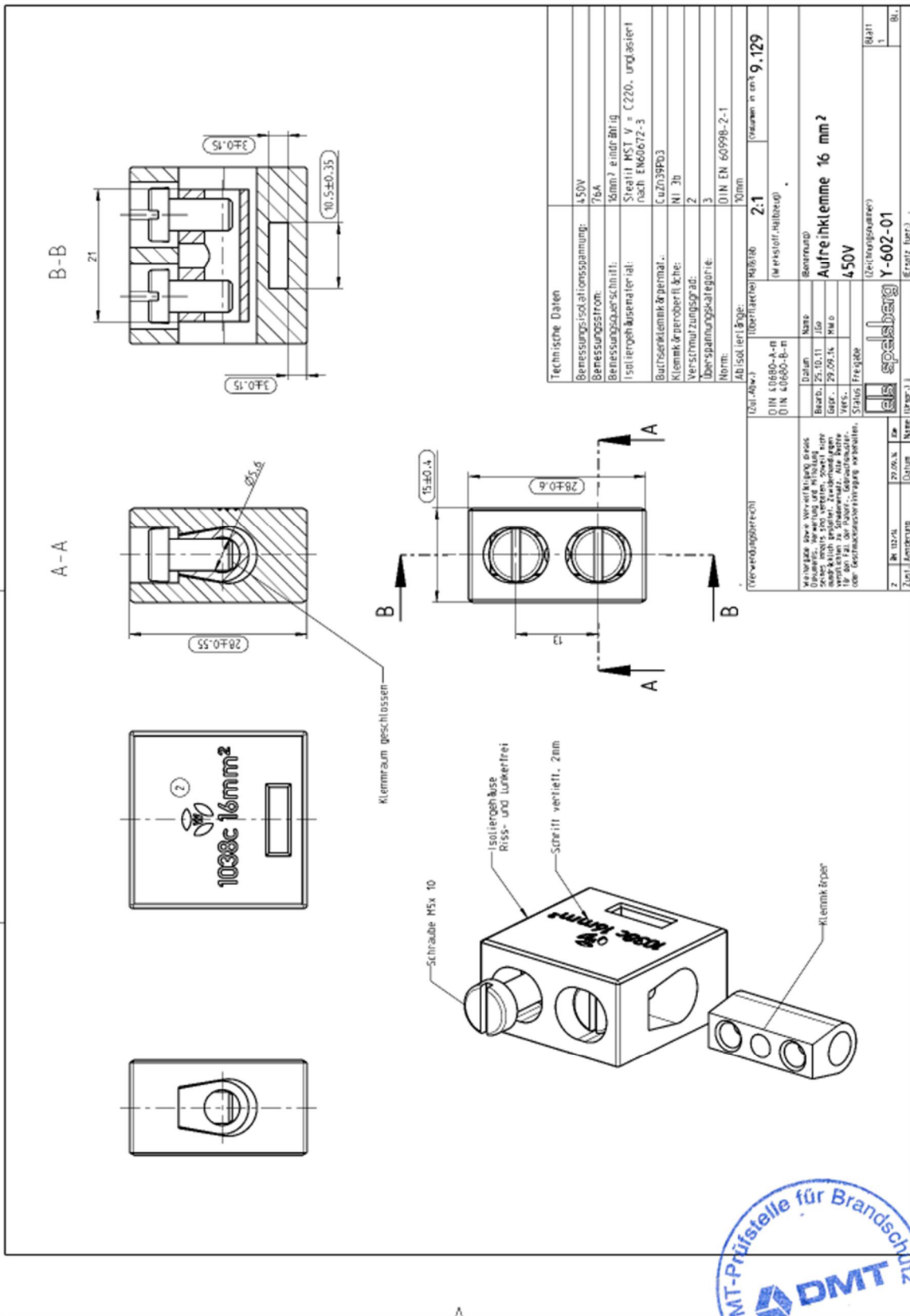
Technische Daten	
Bemessungsisolationsspannung:	450V
Bemessungsstrom:	57V
Bemessungsquerschnitt:	10mm² einadr. Btl.ig.
Isolierstoffausmaterial:	Styrolit MST Y = C220, unglasfaserlastet nach EM60672-3
Bauformklemmclip perma...:	CuZn39Pb3
Klemmclip oberfl. & be...:	NI 2b
Verstärkungsgrad:	2
Überspannungskategorie:	3
Norm:	DIN EN 60998-2-1
Abisolierlänge:	10mm
Verhältnis Höhe/Breite:	2:1
DIN 40680-A-R	(weinstoff-Haltbeug)
DIN 40680-A-R	
Bezeichnung:	
Name:	<b>Aufreihklemme 10 mm²</b>
Datum:	
Zeichn. Nr.:	15.10.11
Gez.:	29.09.14
Mkz.:	
Verf.:	
Status:	Freigebe
Druck:	
Blatt:	1
von:	1
von:	1

Cable system with integrated functional integrity: "WKE" junction boxes of Günther Spelsberg GmbH + Co KG attached to cable tray "RLVC 60.400" of Niedax GmbH & Co. KG, for use in cable systems with integrated functional integrity

Single clip 10 mm<sup>2</sup>  
Drawing of single clip 10 mm<sup>2</sup>



Annex 13  
to the General Building Authority Test  
Certificate P-1042 DMT DO of 03/11/2021



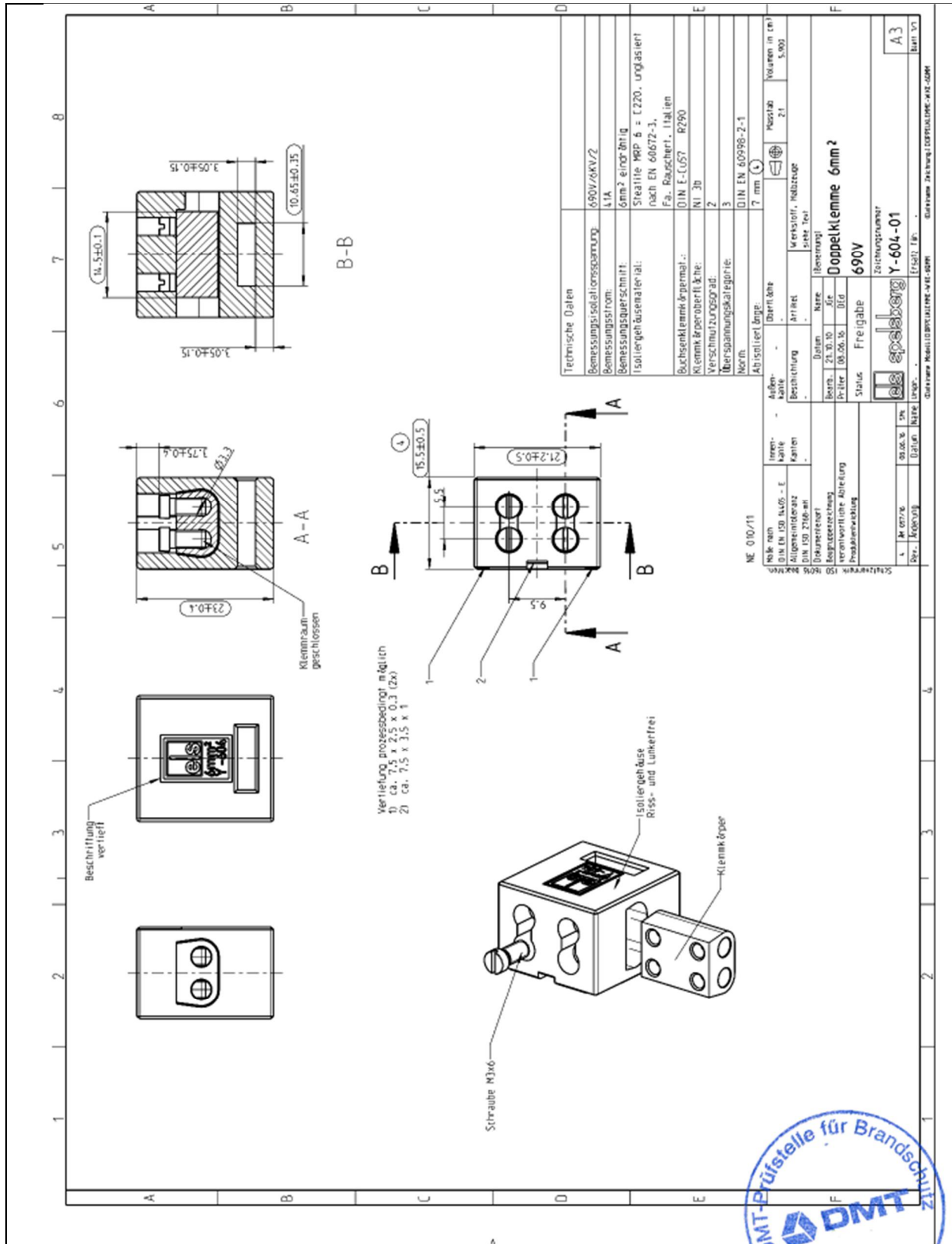
Cable system with integrated functional integrity: "WKE" junction boxes of Günther Spelsberg GmbH + Co KG attached to cable tray "RLVC 60.400" of Niedax GmbH & Co. KG, for use in cable systems with integrated functional integrity

Single clip 16 mm<sup>2</sup>  
Drawing of single clip 16 mm<sup>2</sup>




Annex 14  
to the General Building Authority Test  
Certificate P-1042 DMT DO of 03/11/2021



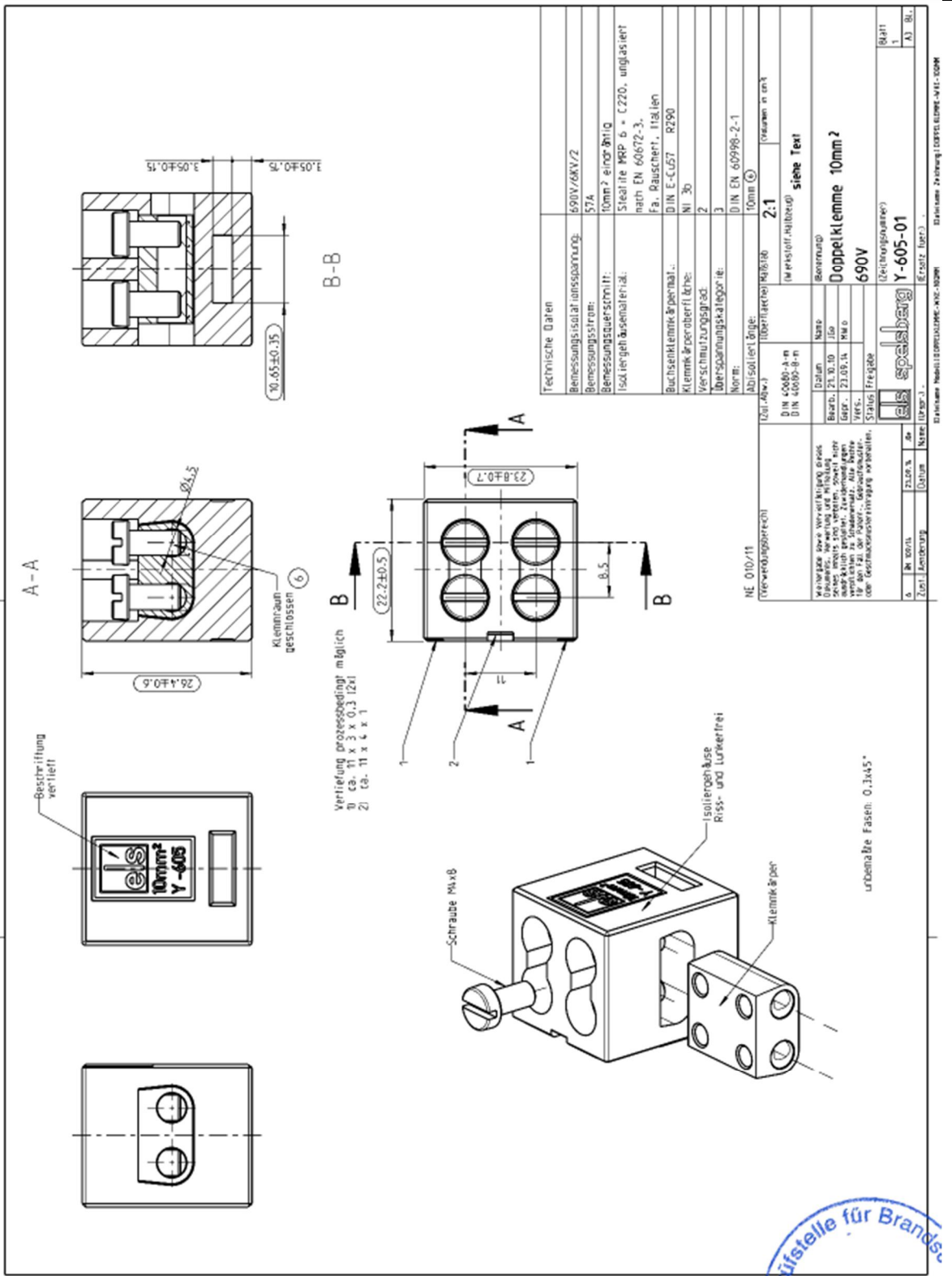


Cable system with integrated functional integrity: "WKE" junction boxes of Günther Spelsberg GmbH + Co KG attached to cable tray "RLVC 60.400" of Niedax GmbH & Co. KG, for use in cable systems with integrated functional integrity

Double clip 6 mm<sup>2</sup>  
Drawing of double clip 6 mm<sup>2</sup>



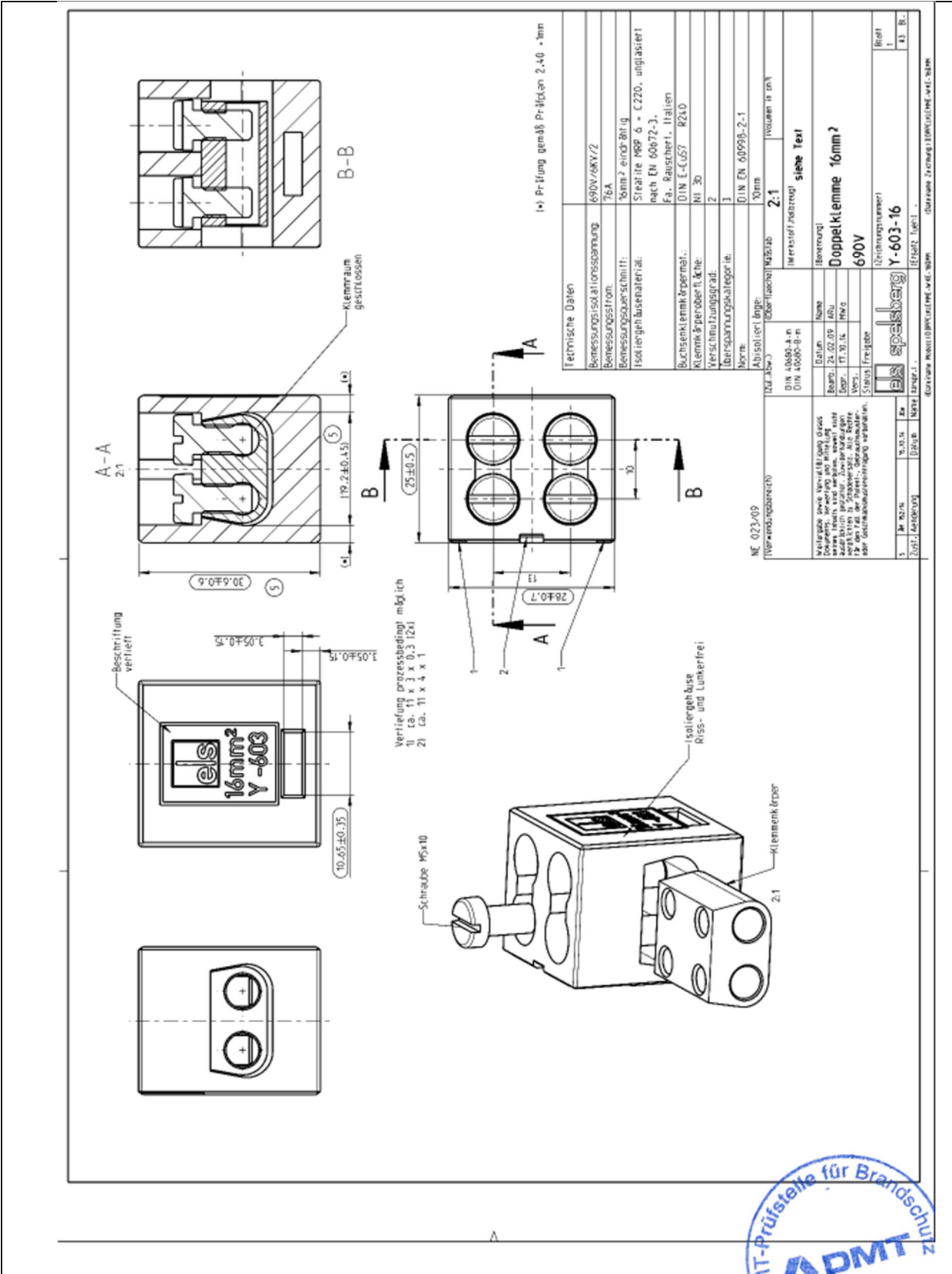
Annex 15  
to the General Building Authority Test  
Certificate P-1042 DMT DO of 03/11/2021



Cable system with integrated functional integrity: "WKE" junction boxes of Günther Spelsberg GmbH + Co KG attached to cable tray "RLVC 60.400" of Niedax GmbH & Co. KG, for use in cable systems with integrated functional integrity


Double clip 10 mm<sup>2</sup>  
Drawing of double clip 10 mm<sup>2</sup>

**DMT**  
Annex 16  
to the General Building Authority Test  
Certificate P-1042 DMT DO of 03/11/2021

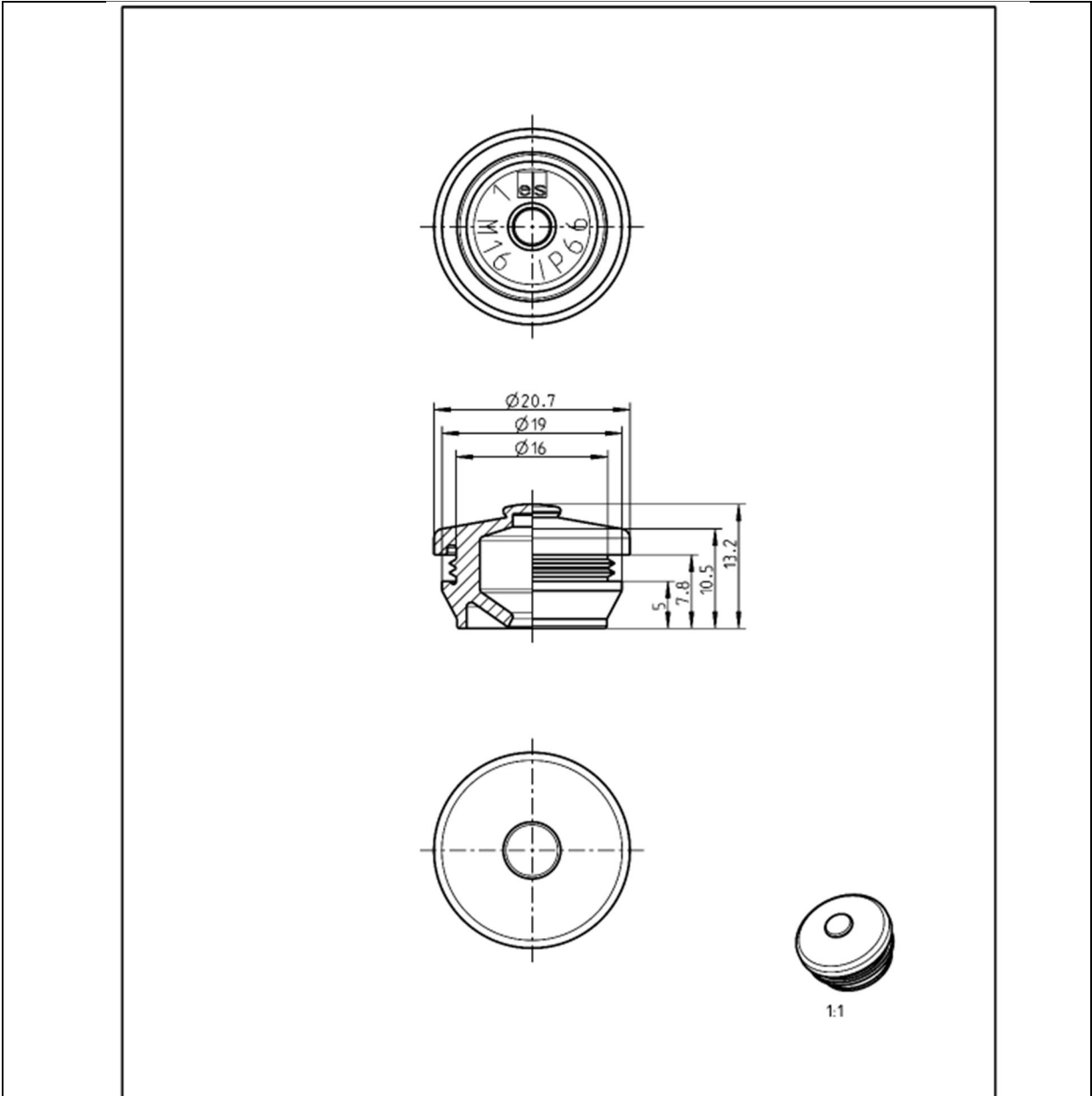


Cable system with integrated functional integrity: "WKE" junction boxes of Günther Spelsberg GmbH + Co KG attached to cable tray "RLVC 60.400" of Niedax GmbH & Co. KG, for use in cable systems with integrated functional integrity

Double clip 16 mm<sup>2</sup>  
 Drawing of double clip 16 mm<sup>2</sup>



Annex 17  
 to the General Building Authority Test  
 Certificate P-1042 DMT DO of 03/11/2021




(Verwendungsbereich)	(Zul.-Abw.)	(Oberflaeche)	Maßstab	2:1	(Volumen in cm <sup>3</sup> )	1.841
			(Werkstoff, Halbzug)	TPE		
Weitergabe sowie Vervielfältigung dieses Dokuments, Verwertung und Mitteilung seines Inhalts sind verboten, soweit nicht ausdrücklich gestattet. Zuwiderhandlungen verpflichten zu Schadenersatz. Alle Rechte für den Fall der Patent-, Gebrauchsmuster- oder Geschnacksmustereintragung vorbehalten.	Datum	Name	(Benennung)			
	Bearb.	18.09.13	Konscha	Massblatt		
	Gepr.	18.09.13	Jöe	Doppelmembranstutzen M16		
	Vers.					
Status	Freigabe		(Zeichnungsnummer)	Blatt		
			M-260-416-01	1		
Zust.	Änderung	Datum	Name (Urspr.)	(Ersatz fuer)		

(Dateiname: Modell) DOPPELMEBRANSTUTZEN-1180-M (Dateiname: Zeichnung) DOPPELMEBRANSTUTZEN-1180-M

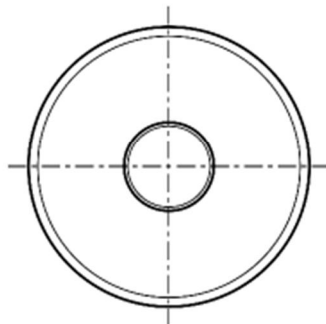
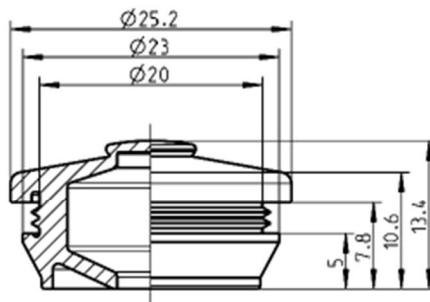
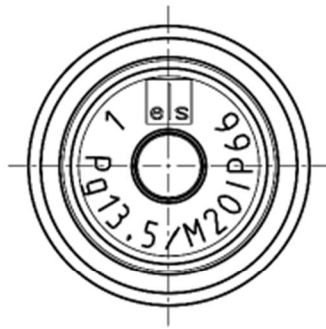


Cable system with integrated functional integrity: "WKE" junction boxes of Günther Spelsberg GmbH + Co KG attached to cable tray "RLVC 60.400" of Niedax GmbH & Co. KG, for use in cable systems with integrated functional integrity

Double-membrane seal "DMS":  
Drawing of double-membrane seal M16



Annex 18  
to the General Building Authority Test  
Certificate P-1042 DMT DO of 03/11/2021



1:1

(Verwendungsbereich)	(Zul. Abw.)	(Oberflaeche)	Maßstab 2:1	(Volumen in cm <sup>3</sup> ) 2.582	
Weitergabe sowie Vervielfältigung dieses Dokuments, Verwertung und Mitteilung seines Inhalts sind verboten, soweit nicht ausdrücklich gestattet. Zuwiderhandlungen verpflichten zu Schadenersatz. Alle Rechte für den Fall der Patent-, Gebrauchsmuster- oder Geschmacksmustereintragung vorbehalten.			(Werkstoff, Halbzeug) TPE		
			Datum	Name	(Benennung)
			Bearb. 18.09.13	Konstcha	Massblatt
			Gepr. 18.09.13	JGe	Doppelmembranstutzen M20
			Vers.		
	Status Freigabe	(Zeichnungsnummer)	Blatt		
	<b>es spelsberg</b>	M-260-420-01	M4	Bf.	
Zust. Aenderung	Datum	Name (Urspr.)	(Ersatz fuer)		

(Dateiname Modell) DOPPELMEBRANSTUTZEN-1181-M

(Dateiname Zeichnung) DOPPELMEBRANSTUTZEN-1181-M

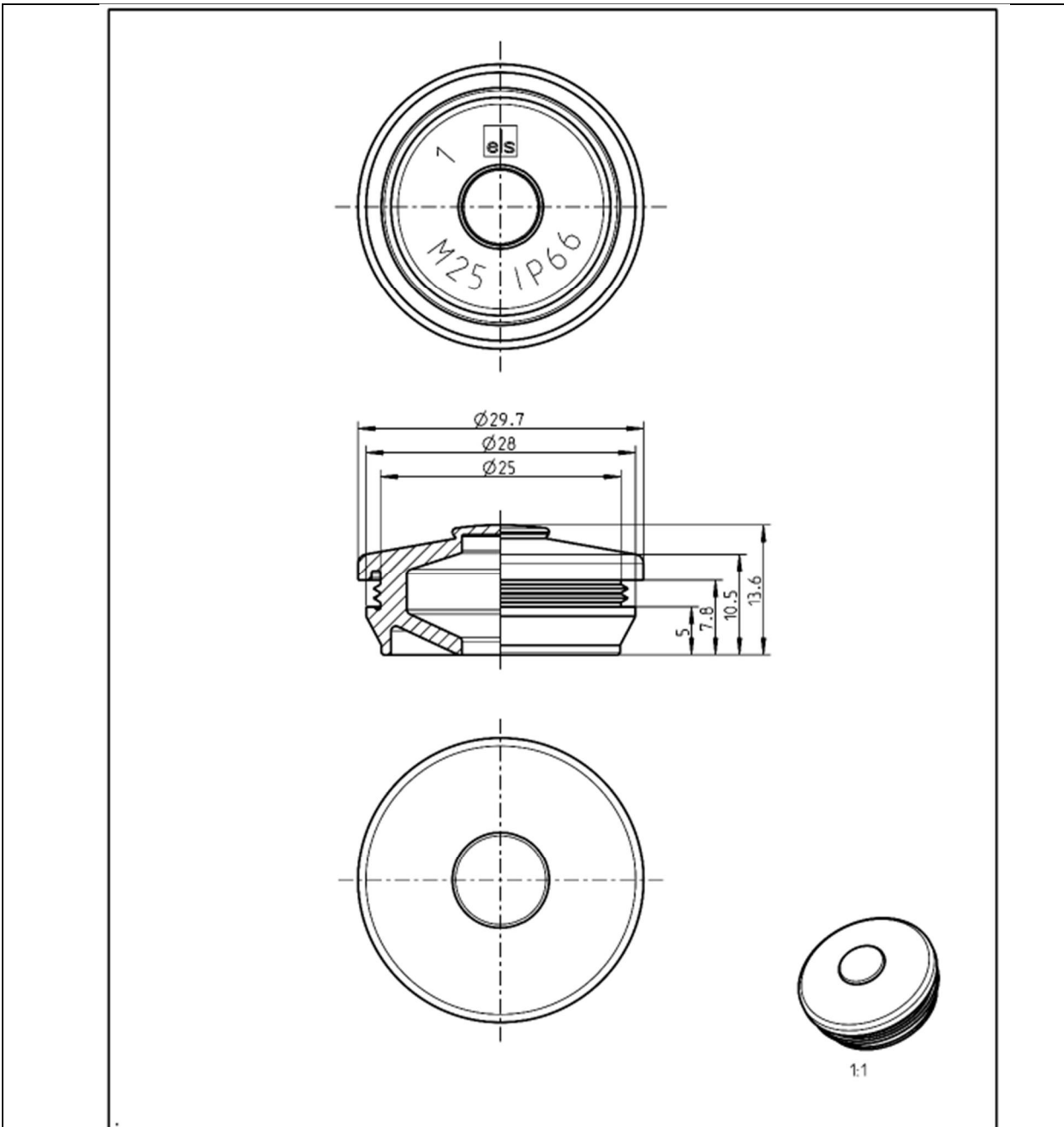


Cable system with integrated functional integrity: "WKE" junction boxes of Günther Spelsberg GmbH + Co KG attached to cable tray "RLVC 60.400" of Niedax GmbH & Co. KG, for use in cable systems with integrated functional integrity

Double-membrane seal "DMS":  
Drawing of double-membrane seal M20




Annex 19  
to the General Building Authority Test  
Certificate P-1042 DMT DO of 03/11/2021



(Verwendungsbereich)	(Zul. Abw.)	(Oberfläche)	Maßstab	2:1	(Volumen in cm <sup>3</sup> )	3.674
			(Werkstoff, Halbzeug)	TPE		
Weitergabe sowie Vervielfältigung dieses Dokuments, Verwertung und Mitteilung seines Inhalts sind verboten, soweit nicht ausdrücklich gestattet. Zuwiderhandlungen verpflichten zu Schadensersatz. Alle Rechte für den Fall der Patent-, Gebrauchsmuster- oder Geschmacksmustereintragung vorbehalten.	Datum	Name	(Benennung)			
	Bearb.	18.09.13	Konscha	Massblatt		
	Gepr.	18.09.13	JGe	Doppelmembranstutzen M25		
	Vers.					
Status	Freigabe		(Zeichnungsnummer)	M-260-425-01		
					Bilsh	1
Zust.	Aenderung	Datum	Name (Urspr.)	(Ersatz fuer)		

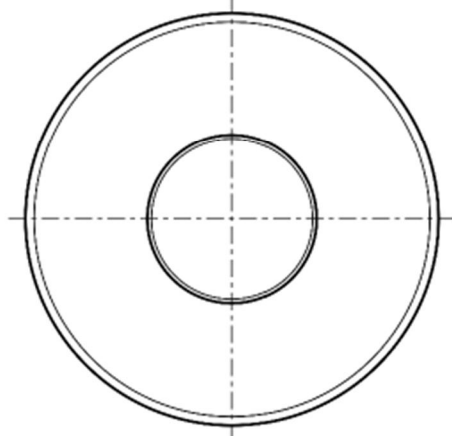
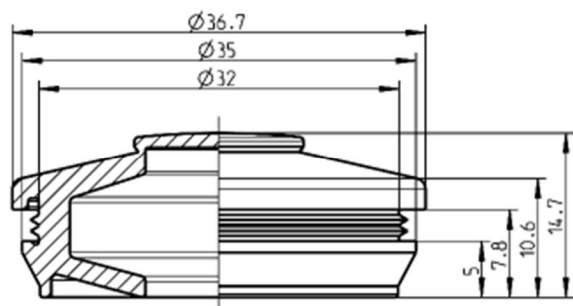
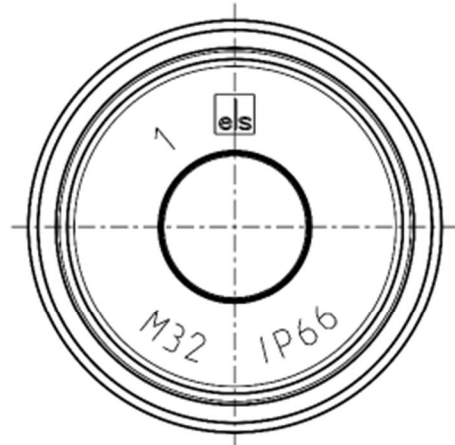
Cable system with integrated functional integrity: "WKE" junction boxes of Günther Spelsberg GmbH + Co KG attached to cable tray "RLVC 60.400" of Niedax GmbH & Co. KG, for use in cable systems with integrated functional integrity

Double-membrane seal "DMS":  
Drawing of double-membrane seal M25



Annex 20  
to the General Building Authority Test  
Certificate P-1042 DMT DO of 03/11/2021





1:1

(Verwendungsbereich)	(Zul. Abw.)	(Oberfläche)	Maßstab	2:1	(Volumen in cm <sup>3</sup> )	5.625
			(Werkstoff, Halbzeug)	TPE		
Weitergabe sowie Vervielfältigung dieses Dokuments, Verwertung und Mitteilung seines Inhalts sind verboten, soweit nicht ausdrücklich gestattet. Zuwiderhandlungen verpflichten zu Schadenersatz. Alle Rechte für den Fall der Patent-, Gebrauchsmuster- oder Geschmacksmustereintragung vorbehalten.		Datum	Name	(Benennung)		
	Bearb.	18.09.13	Konstcha	Massblatt		
	Gepr.	18.09.13	JGe	Doppelmembranstutzen M32		
	Vers.					
	Status	Freigabe		(Zeichnungsnummer)		
			es spelsberg		M-260-432-01	
Zust.	Aenderung	Datum	Name (Urspr.)	(Ersatz fuer)		

(Dateiname Modell) DOPPELMEMBRANSTUTZEN-1183-M

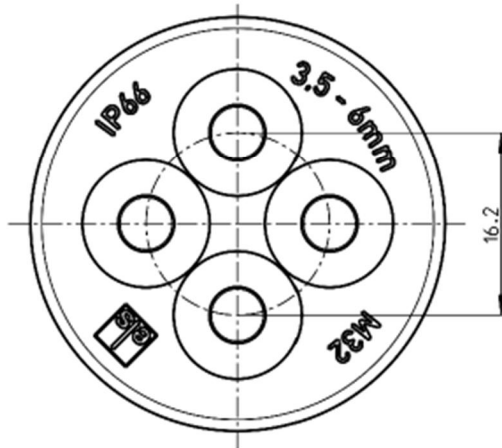
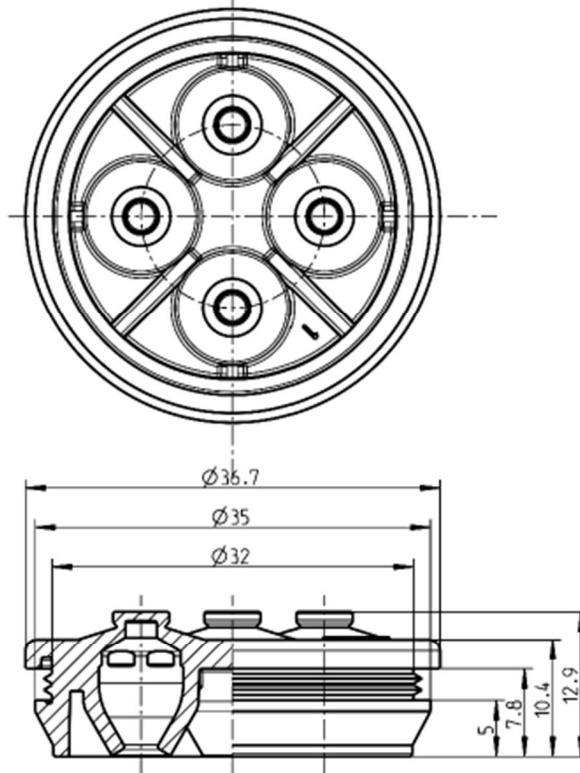
(Dateiname Zeichnung) DOPPELMEMBRANSTUTZEN-1183-M

Cable system with integrated functional integrity: "WKE" junction boxes of Günther Spelsberg GmbH + Co KG attached to cable tray "RLVC 60.400" of Niedax GmbH & Co. KG, for use in cable systems with integrated functional integrity

Double-membrane seal "DMS":  
Drawing of double-membrane seal M32



Annex 21  
to the General Building Authority Test  
Certificate P-1042 DMT DO of 03/11/2021



NE 021/09

(Verwendungsbereich)	(Zul.-Abw.)	(Oberflaeche)	Maßstab 2:1	(Volumen in cm³) 5.509
			(Werkstoff, Halbzug) TPE	
Weitergabe sowie Vervielfältigung dieses Dokuments, Verwertung und Mitteilung seines Inhalts sind verboten, soweit nicht ausdrücklich gestattet. Zuwiderhandlungen verpflichten zu Schadensersatz. Alle Rechte für den Fall der Patent-, Gebrauchsmuster- oder Geschmacksmustereintragung vorbehalten.	Datum	Name	(Benennung)	
	Bearb. 06.04.09	DHa	Massblatt DMS-M32	
	Gepr. 07.04.09	WGe	4-fach fuer Steuerleitungen	
	Vers.		(Zeichnungsnummer)	
Status Freigabe	es spelsberg		M-260-433-01	
Zust., Aenderung	Datum	Name (Urspr.)	(Ersatz fuer:)	

(Dateiname Model) M-260-433-01

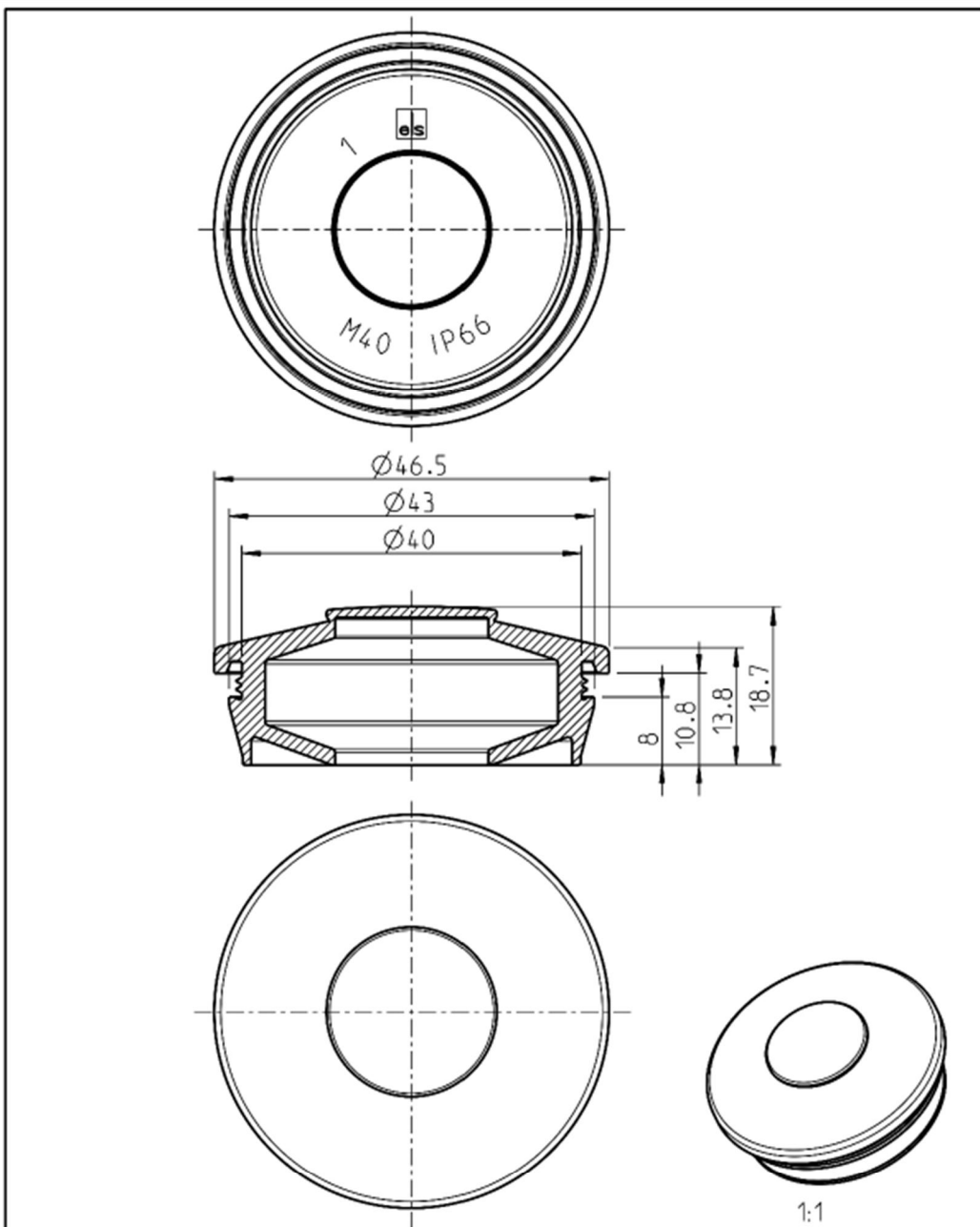
(Dateiname Zeichnung) M-260-433-01

Cable system with integrated functional integrity: "WKE" junction boxes of Günther Spelsberg GmbH + Co KG attached to cable tray "RLVC 60.400" of Niedax GmbH & Co. KG, for use in cable systems with integrated functional integrity

Double-membrane seal "DMS":  
Drawing of double-membrane seal 4-fold DMS-M32



Annex 22  
to the General Building Authority Test  
Certificate P-1042 DMT DO of 03/11/2021



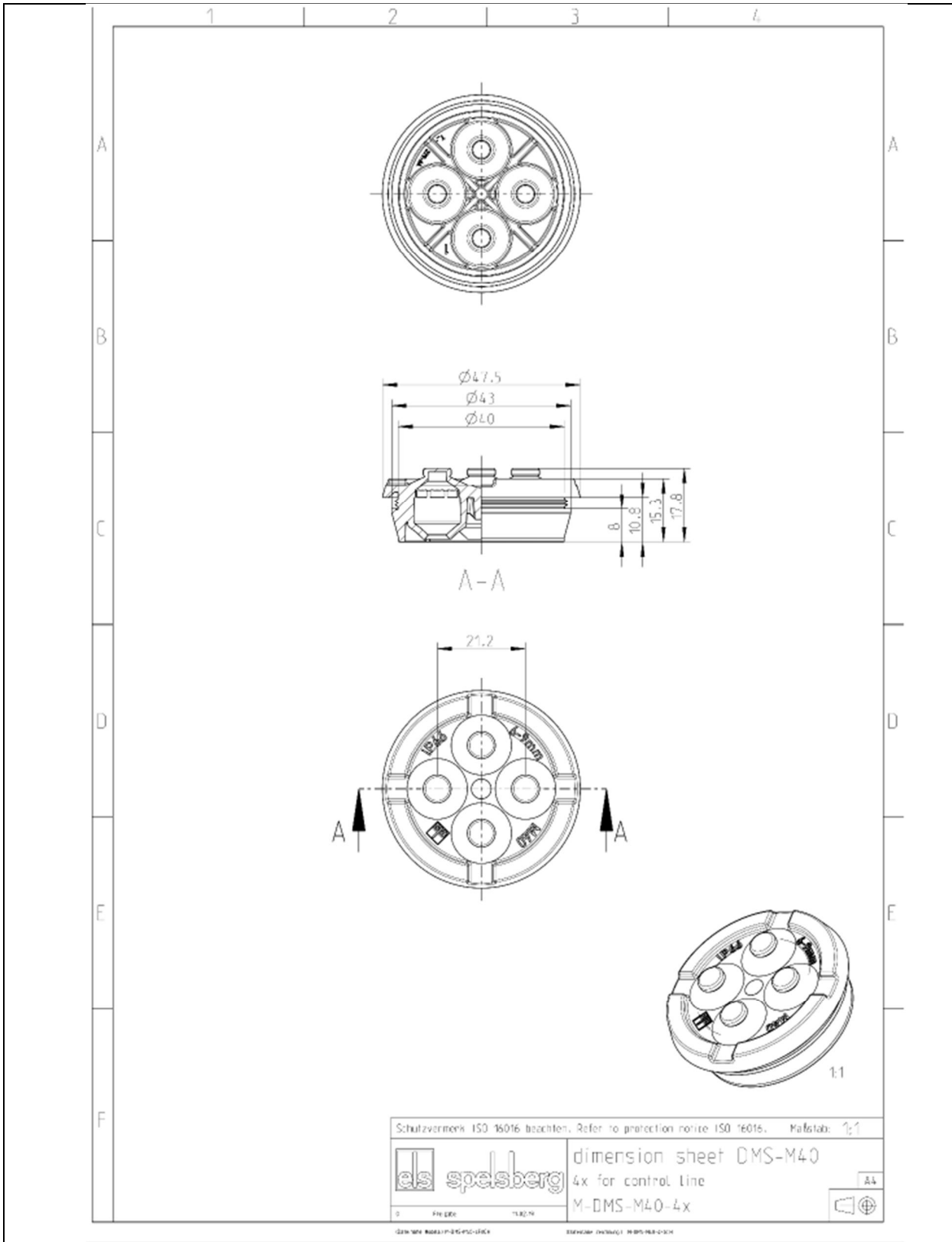
(Verwendungsbereich)	(Zul. Abw.)	(Oberflaeche)	Maßstab	8:5	(Volumen in cm <sup>3</sup> )	9.584
			(Werkstoff, Halbzweig)	TPE		
Weitergabe sowie Vervielfältigung dieses Dokuments, Verwertung und Mitteilung seines Inhalts sind verboten, soweit nicht ausdrücklich gestattet. Zuwiderhandlungen verpflichten zu Schadenersatz. Alle Rechte für den Fall der Patent-, Gebrauchsmuster- oder Geschmacksustereintragung vorbehalten.		Datum	Name	(Benennung)		
	Bearb.	07.05.15	WGe	Maßblatt		
	Gepr.	18.05.15	DHa	Doppelmembranstutzen M40		
	Vers.					
		Status	Freigabe	(Zeichnungsnummer)		
			es spelsberg			Blatt
			M-260-440-01			1
Zust.	Aenderung	Datum	Name (Urspr.)	(Ersatz fuer)		
			Dateiname Modell: DMS_M40_M-260-440-01			A4 Bl.
			Dateiname Zeichnung: DMS_M40_M-260-440-01			

Cable system with integrated functional integrity: "WKE" junction boxes of Günther Spelsberg GmbH + Co KG attached to cable tray "RLVC 60.400" of Niedax GmbH & Co. KG, for use in cable systems with integrated functional integrity

Double-membrane seal "DMS":  
Drawing of double-membrane seal DMS-40



Annex 23  
to the General Building Authority Test  
Certificate P-1042 DMT DO of 03/11/2021



Cable system with integrated functional integrity: "WKE" junction boxes of Günther Spelsberg GmbH + Co KG attached to cable tray "RLVC 60.400" of Niedax GmbH & Co. KG, for use in cable systems with integrated functional integrity

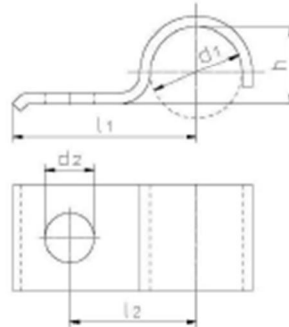
Double-membrane seal "DMS":  
Drawing of double-membrane seal 4-fold DMS-40



Annex 24  
to the General Building Authority Test  
Certificate P-1042 DMT DO of 03/11/2021

## Rohrschellen RS...

DIN 1596



d <sub>1</sub>	für Rohr- oder Kabel- Außen- durchmesser	d <sub>2</sub>	h	l <sub>1</sub>	l <sub>2</sub>	Material- stärke	Befestigungs- schraube	100 Stück ~ kg
7	5,5 - 7	6,6	5	26	14	16 x 2	M6	0,7
9	7 - 9		6	28	16			0,8
13	9,5 - 13		9	30	18	20 x 2		1,3
15,5	13 - 15,5		12	32	20			1,5
19	15,5 - 19	9	15	34	22	25 x 3	M8	1,8
23	20 - 23		19	43	28			4,2
26	23 - 26		22	44	29			4,6
28,5	26 - 28,5		24	47	32			5
31	28,5 - 31	11	27	47	32	30 x 3	M10	5,5
33	31 - 33		29	56	36			6,6
36	33 - 36		32	57	40			7,8
39	36 - 39		34	59	42			8,2
43	39 - 43	14	38	61	44	40 x 4	M12	9
46	43 - 46		41	62	45			9,5
49	46 - 49		44	67	48			18,1
52	49 - 52		47	72	53			19,4
58	53 - 58	14	52	74	55	40 x 4	M12	21,3
61	58 - 61		56	77	58			22,5

Bezeichnung:	DIN 1596
Durchmesser (mm):	7, 9, 13, 15,5, 19, 23, 26, 28,5, 31, 33, 36, 39, 43, 46, 49, 52, 58, 61
Befestigungsloch:	6,6 mm (M6), 9,0 mm (M8), 11,0 mm (M10), 14,0 mm (M12)
Materialstärke (mm):	16x2, 20x2, 25x3, 30x3, 40x4
Material:	Edelstahl V2A (1.4301), galvanisch verzinkt (zn), Stahl blank (S235 JR)

Cable system with integrated functional integrity: "WKE" junction boxes of Günther Spelsberg GmbH + Co KG attached to cable tray "RLVC 60.400" of Niedax GmbH & Co. KG, for use in cable systems with integrated functional integrity

Single-shell pipe clips RS



Annex 25  
to the General Building Authority Test  
Certificate P-1042 DMT DO of 03/11/2021

## Allgemeines bauaufsichtliches Prüfzeugnis

<b>Prüfzeugnis Nummer</b>	P-1042 DMT DO
<b>Antragsteller</b>	Günther Spelsberg GmbH + Co. KG Im Gewerbepark 1 58579 Schalksmühle Deutschland
<b>Gegenstand</b>	Bauarten zur Herstellung von elektrischen Kabelanlagen, an die Anforderungen hinsichtlich des Funktionserhalts unter Brandeinwirkung gestellt werden der Funktionserhaltsklasse „E30“, „E60“ und „E90“ nach DIN 4102-12:1998-11 gemäß VV TB NRW Ausgabe Juni 2019 lfd. Nr. C 4.9, mit der/den Produktbezeichnung(en): <b>Abzweigdosen "WKE" der Günther Spelsberg GmbH + Co. KG befestigt an Kabelrinne "RLVC 60.400" der Firma Niedax GmbH &amp; Co. KG, zur Verwendung in Kabelanlagen mit integriertem Funktionserhalt</b>
<b>Ausstelldatum</b>	03.11.2021
<b>Geltungsdauer bis</b>	03.11.2026

Aufgrund dieses allgemeinen bauaufsichtlichen Prüfzeugnisses ist der oben genannte Gegenstand im Sinne der Landesbauordnung des jeweiligen Bundeslandes anwendbar.

Dieses allgemeine bauaufsichtliche Prüfzeugnis umfasst 45 Seiten inklusive Deckblatt und Anlagen. Jede Seite dieses allgemeinen bauaufsichtlichen Prüfzeugnisses ist mit dem Stempel der DMT GmbH & Co. KG, Dortmund versehen. Dokumente ohne Unterschrift und Stempel haben keine Gültigkeit.



<b>INHALTSVERZEICHNIS</b>	<b>SEITE</b>
<b>1 ALLGEMEINE BESTIMMUNGEN .....</b>	<b>4</b>
<b>2 BESONDERE BESTIMMUNGEN.....</b>	<b>5</b>
2.1 GEGENSTAND UND ANWENDUNGSBEREICH/VERWENDUNGSBEREICH .....	5
2.1.1 Gegenstand .....	5
2.1.2 Anwendungsbereich/Verwendungsbereich .....	5
2.1.2.1 Anwendungsbereich für Energiekabel.....	7
2.2 BESTIMMUNGEN FÜR DIE BAUART.....	8
2.2.1 Grundlage zur Erteilung des allgemeinen bauaufsichtlichen Prüfzeugnisses.....	8
2.2.2 Kennzeichnung .....	9
<b>3 ÜBEREINSTIMMUNGSNACHWEIS .....</b>	<b>9</b>
<b>4 BESTIMMUNGEN FÜR DIE AUSFÜHRUNG .....</b>	<b>10</b>
4.1 ALLGEMEINES .....	10
4.2 KABELBAUARTEN .....	11
4.3 ABZWEIGDOSEN, TRAGSYSTEM, ZUBEHÖR UND NÄCHSTGELEGENE BEFESTIGUNG.....	11
4.3.1 Abzweigdosen.....	11
4.3.1.1 WKE 2.....	11
4.3.1.2 WKE 4.....	12
4.3.1.3 WKE 6.....	13
4.3.2 Tragsystem .....	15
4.3.2.1 Kabelrinne „RLVC 60.400“.....	15
4.3.3 Kabelklemmen .....	17
4.3.4 Kabeldurchführung .....	18
4.3.4.1 Membrandurchführung .....	18
4.3.5 Befestigungsabstand erste Kabelschelle nach Kabelabzweigdose WKE auf Kabelrinne.....	18
4.3.6 Einzelschelle /RS -Schelle.....	18
<b>5 UNTERHALT UND WARTUNG DES BAUPRODUKTS .....</b>	<b>19</b>
<b>6 RECHTSGRUNDLAGE .....</b>	<b>19</b>
<b>7 RECHTSBEHELFSBELEHRUNG.....</b>	<b>20</b>
<b>Anlage 1</b>	
<b>Anlage 2</b>	
<b>Anlage 3</b>	
<b>Anlage 4</b>	
<b>Anlage 5</b>	
<b>Anlage 6</b>	
<b>Anlage 7</b>	
<b>Anlage 8</b>	
<b>Anlage 9</b>	



**DMT GmbH & Co. KG**

Anlagen- und Produktsicherheit – Prüfstelle für Brandschutz  
Allgemeines bauaufsichtliches Prüfzeugnis  
P-1042 DMT DO vom 03.11.2021



**Anlage 10**

**Anlage 11**

**Anlage 12**

**Anlage 13**

**Anlage 14**

**Anlage 15**

**Anlage 16**

**Anlage 17**

**Anlage 18**

**Anlage 19**

**Anlage 20**

**Anlage 21**

**Anlage 22**

**Anlage 23**

**Anlage 24**

**Anlage 25**





## **1 Allgemeine Bestimmungen**

- Mit diesem allgemeinen bauaufsichtlichen Prüfzeugnis ist die Verwendbarkeit der als Gegenstand aufgeführten Bauart im Sinne der Landesbauordnungen nachgewiesen.
- Das allgemeine bauaufsichtliche Prüfzeugnis ersetzt nicht die für die Durchführung von Bauvorhaben gesetzlich vorgeschriebenen Genehmigungen, Zustimmungen und Bescheinigungen.
- Das allgemeine bauaufsichtliche Prüfzeugnis wird unbeschadet der Rechte Dritter, insbesondere privater Schutzrechte, erteilt.
- Hersteller und Vertreiber der Bauart haben, unbeschadet weitergehender Regelungen in den „Besonderen Bestimmungen“, dem Verwender des Bauprodukts Kopien des allgemeinen bauaufsichtlichen Prüfzeugnisses zur Verfügung zu stellen und darauf hinzuweisen, dass das allgemeine bauaufsichtliche Prüfzeugnis an der Verwendungsstelle vorliegen muss. Auf Anforderung sind den beteiligten Behörden Kopien des allgemeinen bauaufsichtlichen Prüfzeugnisses zur Verfügung zu stellen.
- Das allgemeine bauaufsichtliche Prüfzeugnis darf nur vollständig vervielfältigt werden. Eine auszugsweise Veröffentlichung bedarf der Zustimmung der DMT GmbH & Co. KG, Prüfstelle für Brandschutz. Texte und Zeichnungen von Werbeschriften dürfen dem allgemeinen bauaufsichtlichen Prüfzeugnis nicht widersprechen. Übersetzungen des allgemeinen bauaufsichtlichen Prüfzeugnisses müssen den Hinweis „Von der DMT GmbH & Co. KG, Prüfstelle für Brandschutz, nicht geprüfte Übersetzung der deutschen Originalfassung“ in deutscher und der übersetzten Sprache enthalten.
- Das allgemeine bauaufsichtliche Prüfzeugnis wird widerruflich erteilt. Die hierin festgelegten Bestimmungen können nachträglich ergänzt und geändert werden, insbesondere wenn neue technische Erkenntnisse dies erfordern.
- Das als Gegenstand des allgemeinen bauaufsichtlichen Prüfzeugnisses aufgeführte Bauprodukt bedarf des Nachweises der Übereinstimmung (Übereinstimmungsnachweis) und der Kennzeichnung mit dem Übereinstimmungszeichen (Ü-Zeichen) nach den Übereinstimmungszeichen-Verordnungen der Länder.
- Im weiteren Verlauf (angrenzend an den mit diesem Dokument beschriebenen Abschnitt ‚Einzelschelle-Abzweigdose-Einzelschelle‘) der Kabelanlage hat die Verlegung mit einem zu dem jeweiligen Kabel geeigneten Trag-/Befestigungssystem (z.B. Bügelschelle mit Langwanne, Einzelschelle, usw.) zu erfolgen. Hierzu sind die notwendigen bauaufsichtlichen Verwendbarkeitsnachweise erforderlich.

## **2 Besondere Bestimmungen**

### **2.1 Gegenstand und Anwendungsbereich/Verwendungsbereich**

#### **2.1.1 Gegenstand**

Gegenstand und Dieses allgemeine bauaufsichtliche Prüfzeugnis gemäß MVV-TB bzw. VV TB Bln Ziffer C 4.9 „Bauarten zur Herstellung von elektrischen Kabelanlagen, an die Anforderungen hinsichtlich des Funktionserhalts unter Brandeinwirkung gestellt werden“ gilt für die Herstellung und Verwendung von Kabelanlagen als Bauart. Die Kabelanlage mit integriertem Funktionserhalt gewährleistet in Abhängigkeit von den Kabelbauarten in Verbindung mit den Abzweigdosen die Einstufung in die Funktionserhaltsklasse „E30“, „E60“ und „E90“ nach DIN 4102 12:1998 11.

Die Kabelanlage mit integriertem Funktionserhalt muss aus Kabelbauarten gemäß Abschnitt 4.2 und Abzweigdosen inkl. Tragsystem gemäß Abschnitt 4.3 bestehen.

Dieses allgemeine bauaufsichtliche Prüfzeugnis beschreibt Abzweigdosen an Kabelrinnen vom Typ "RLVC 60.400", die im Zuge von Kabelanlagen mit integriertem Funktionserhalt eingesetzt werden müssen.

#### **2.1.2 Anwendungsbereich/Verwendungsbereich**

- Der Anwendungsbereich ist auf Kabel mit einer Nennspannung  $\leq 1$  kV beschränkt. Bei der Dimensionierung von Kabelanlagen mit integriertem Funktionserhalt ist eine mögliche Funktionsbeeinträchtigung der Kabel infolge thermisch bedingter Widerstandserhöhung zu berücksichtigen.
- Die Kabelanlage mit integriertem Funktionserhalt ist in die Funktionserhaltsklasse „E30“, „E60“ bzw. „E90“ einzustufen, wenn die in Tabelle 1 angegebenen Kabelbauarten und Dimensionen mit den entsprechenden Abzweigdosen verwendet werden.
- Die Kabelanlage mit integriertem Funktionserhalt muss an  
Massivwänden aus Mauerwerk nach DIN 1053-1 bis -4, aus Beton bzw. Stahlbeton nach DIN 1045 oder Porenbeton-Bauplatten nach DIN 4166  
oder  
Decken aus Beton bzw. Stahlbeton nach DIN 1045 oder Porenbeton nach DIN 4223 befestigt werden, deren jeweilige Feuerwiderstandsklasse nach DIN 4102-2 mindestens der Funktionserhaltsklasse der Kabelanlage mit integriertem Funktionserhalt entspricht.



- Für die Befestigung in anderen als zuvor genannten Bauteilen ist die Anwendbarkeit gesondert nachzuweisen, z.B. durch ein allgemeines bauaufsichtliches Prüfzeugnis.
- Eine Kombination verschiedener Verlegearten ist zulässig, sofern die gleichen Funktionserhaltsklassen vorliegen und die Verwendbarkeit durch einen bauaufsichtlichen Verwendbarkeitsnachweis nachgewiesen ist.
- Der Antragsteller hat erklärt, dass in der Bauart keine Produkte verwendet werden, die der Gefahrstoffverordnung, der Chemikalienverbotsverordnung oder FCKW-Halon-Verbotsverordnung unterliegen beziehungsweise, dass er die Auflagen (insbesondere Kennzeichnung) aus den genannten Regelwerken erfüllt.

Weiterhin hat der Antragsteller erklärt, dass – sofern für den Handel und das Inverkehrbringen oder die Verwendung Maßnahmen im Hinblick auf die Hygiene, den Gesundheitsschutz oder den Umweltschutz zu treffen sind – diese vom Antragsteller veranlasst und in der erforderlichen Weise bekannt gemacht werden.

Es bestand aufgrund der oben genannten Erklärung des Antragstellers kein Anlass, die Auswirkungen des Bauprodukts im eingebauten Zustand auf die Erfüllung von Anforderungen des Gesundheits- und Umweltschutzes zu prüfen.

- Dieses allgemeine bauaufsichtliche Prüfzeugnis behandelt das Bauprodukt nur hinsichtlich seiner Brandschutzeigenschaften (andere Aspekte wie Schall- und Wärmeschutz oder Standsicherheit sind unberücksichtigt).
- Soweit weitere Anforderungen an die Kabelanlage oder einzelne Teile der Kabelanlage gestellt werden, sind diese gesondert nachzuweisen.



**2.1.2.1 Anwendungsbereich für Energiekabel**

Tabelle 1 Klassifizierung von Kabelbauarten in Abhängigkeit von Installationsbedingungen

Kabelbauart <sup>1</sup>	Klassifizierung <sup>2</sup>	Abzweigdose <sup>3</sup>	Positionierung Abzweigdose <sup>4</sup>	Dimension <sup>5</sup>	
Dätwyler Keram (N)HXH FE 180 E90 VDE 7780	E90	WKE 2	Feldmitte	n x 1,5 mm <sup>2</sup> bis n x 6 mm <sup>2</sup>	
			Stoß		
	E90	WKE 4	Feldmitte		n x 1,5 mm <sup>2</sup> bis n x 6 mm <sup>2</sup>
			Stoß		
	E90	WKE 6	Feldmitte	n x 1,5 mm <sup>2</sup>	
			Stoß		
	E90	WKE 6	Ausleger	n x 16 mm <sup>2</sup>	



<sup>1</sup> Entsprechend Tabelle 3: verwendbare Kabelbauarten

<sup>2</sup> Nach DIN 4102-12:1998-11

<sup>3</sup> Entsprechend Abschnitt 4.3

<sup>4</sup> Position der Abzweigdose auf dem Tragsystem (siehe Abschnitt 4.3.2.1)

<sup>5</sup> Aderzahl x Leiternennquerschnitt [n x mm<sup>2</sup>] bzw. Aderpaarzahl x 2 x Leiterdurchmesser [n x 2 x mm]; die zugehörigen VDE-Papiere (Referenz über VDE-REG.-NR.) sind hinsichtlich weitergehender Einschränkungen bei Aderzahl und Leiterquerschnitt zu beachten;

## 2.2 Bestimmungen für die Bauart

### 2.2.1 Grundlage zur Erteilung des allgemeinen bauaufsichtlichen Prüfzeugnisses

Grundlage dieses allgemeinen bauaufsichtlichen Prüfzeugnisses sind die in Tabelle 2 genannten Dokumente.

Tabelle 2: Dokumente zur Erstellung dieses AbP

	Dokumentbezeichnung	Referenzdatum	Gegenstand	Aussteller/Prüfstelle
1	Antrag auf Erteilung eines AbP	22.09.2021	Antrag und formale Erklärungen/Versicherungen	Günther Spelsberg GmbH + Co. KG Im Gewerbepark 1 58579 Schalksmühle
2	Prüfbericht DMT - 31/164 811 94 03 109	Berichtsdatum: 28.07.2021 Prüftermin: 22.07.2021	Prüfung nach DIN 4102-12 unter Beachtung von ABM-Beschluss BT-PRF-DE-12-14m	DMT-Prüfstelle für Brandschutz, NRW 49
3	VDE-Zertifikat 40004684 VDE REG.-Nr. 7780	14.01.2003 letzte Änderung 31.05.2021	VDE-Zertifikat; Gutachten mit Fertigungsüberwachung	VDE Prüf- und Zertifizierungsinstitut
4	zusammenfassende Beurteilung 811 96 40 006-10	13.10.2021	zusammenfassende Beurteilung zu P-1032 DMT DO	DMT-Prüfstelle für Brandschutz, NRW 49

Dieses allgemeine bauaufsichtliche Prüfzeugnis wurde entsprechend den Beschlüssen des ABM Arbeitskreises 'Bauteile' beurteilt und erstellt. Die Ergebnisse sind in einer zusammenfassenden Beurteilung 811 96 40 006-10 zu P-1042 DMT-DO vom 13.10.2021 dargestellt. Diese Beurteilung ist nicht veröffentlicht und bei der Prüfstelle hinterlegt.



## 2.2.2 Kennzeichnung

Jede Kabelanlage ist mit wie folgt beschrieben dauerhaft zu kennzeichnen. Ist eine Kennzeichnung der eigentlichen Kabelanlage nicht möglich, ist die Kennzeichnung so in der Nähe anzubringen, dass eine Zuordnung leicht fällt. Die Kennzeichnung soll mit einem Schild oder einem Aufkleber dauerhaft erfolgen.

Die Kennzeichnung muss folgende Angaben enthalten:

- Name des Unternehmers der die Kabelanlage errichtet hat
- Produktbezeichnung: Kabelanlage mit Abzweigdosen "WKE" der Günther Spelsberg GmbH + Co. KG befestigt an Kabelrinne "RLVC 60.400" der Firma Niedax GmbH & Co. KG, zur Verwendung in Kabelanlagen mit integriertem Funktionserhalt
- Name des Herstellers der Kabelanlage
- Schriftzug: "Kabelanlage mit integriertem Funktionserhalt E...<sup>6</sup> entsprechend DIN 4102-12:1998-11"
- Prüfzeugnisnummer: „P-1042 DMT DO vom 03.11.2021“
- Schriftzug: „Inhaber des Prüfzeugnis: Günther Spelsberg GmbH + Co. KG“
- Schriftzug: "Prüfstelle: DMT GmbH & Co. KG, Prüfstelle für Brandschutz"
- Herstellungsjahr/Chargenbezeichnung

Die Kennzeichnung darf nur erfolgen, wenn die Voraussetzungen nach Abschnitt 3 zum Übereinstimmungsnachweis erfüllt sind.

## 3 Übereinstimmungsnachweis

Die diesem allgemeinen bauaufsichtlichen Prüfzeugnis aufgeführte Bauart bedarf des Nachweises der Übereinstimmung (Übereinstimmungsnachweis) nach den Vorgaben der VV TB NRW Ausgabe Juni 2019 Kapitel C1 Absatz 14 Satz 2 durch eine Übereinstimmungserklärung des Anwenders (Errichters).

Der Anwender, der die Kabelanlage mit integriertem Funktionserhalt herstellt, muss gegenüber dem Auftraggeber eine Übereinstimmungserklärung (Muster siehe Anlage 1) ausstellen, mit der er bescheinigt, dass die von ihm ausgeführte Kabelanlage mit integriertem Funkti-

---

<sup>6</sup> Angabe der tatsächlichen Funktionserhaltsklasse gemäß Tabelle 1

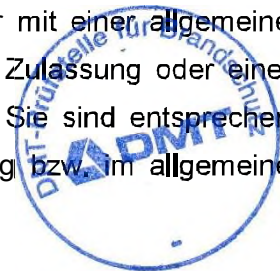


onserhalt den Bestimmungen dieses allgemeinen bauaufsichtlichen Prüfzeugnisses entspricht.

#### **4 Bestimmungen für die Ausführung**

##### **4.1 Allgemeines**

- Der Bauherr/die von ihm beauftragten am Bau Beteiligten sind für die Standsicherheit und sichere Ausführung der Verwendung der Bauart, einschließlich aller Befestigungen verantwortlich. Die Standsicherheit oder die Ausführung der Befestigung des Bauprodukts waren nicht Bestandteil der diesem allgemeinen bauaufsichtlichen Prüfzeugnis zu Grunde liegenden Prüfungen.
- Das Bauprodukt darf nicht verwendet werden, soweit Anforderungen in Bezug auf die Entstehung toxischer Gase im Brandfall zu erfüllen sind.
- Es ist sicherzustellen, dass die Kabelanlage mit integriertem Funktionserhalt durch umgebende Bauteile im Brandfall für die ihrer Funktionserhaltsklasse entsprechenden Zeitdauer nicht negativ beeinträchtigt wird.
- Die Befestigungen der Kabeltragsysteme an Massivbauteilen sind mit für den Untergrund geeigneten Stahlspreizdübeln an der Massivdecke bzw. –wand zu befestigen. Dübel ohne brandschutztechnischen Eignungsnachweis müssen den Angaben gültiger allgemeiner bauaufsichtlicher Zulassungen des Deutschen Instituts für Bautechnik (DIBt), Berlin, entsprechen und darüber hinaus doppelt so tief wie im Zulassungsbescheid angegeben - mindestens jedoch 60 mm tief - eingebaut werden, sofern in der Zulassung nichts anderes ausgesagt wird. Die rechnerische Zugbelastung je Dübel darf 500 N nicht übersteigen (vgl. DIN 4102-4:1994-03, Abschnitt 8.5.7.5). Alternativ dürfen Dübel verwendet werden, deren brandschutztechnische Eignung über die der Klassifizierung der Kabelanlage entsprechende Dauer mit einer allgemeinen bauaufsichtlichen Zulassung, einer europäischen technischen Zulassung oder einem allgemeinen bauaufsichtlichen Prüfzeugnis nachgewiesen ist. Sie sind entsprechend den Vorgaben in der allgemeinen bauaufsichtlichen Zulassung bzw. im allgemeinen bauaufsichtlichen Prüfzeugnis einzubauen.



## 4.2 Kabelbauarten

- Es dürfen nur Kabelbauarten entsprechend Tabelle 3 mit einer gültigen VDE-Approbation bzw. Gutachten mit Fertigungsüberwachung verwendet werden, sofern die Verwendung gemäß Tabelle 1 vorgesehen ist.
- Das Kabel ist gemäß den VDE-Bestimmungen zu kennzeichnen.
- Es dürfen nur die folgenden Kabelbauarten verwendet werden. Dabei ist die Zuordnung gemäß Tabelle 1 zu beachten. Zum Zeitpunkt der Verwendung muss der genannte VDE-Nachweis (Gutachten mit Fertigungsüberwachung) vorliegen und gültig sein.

Tabelle 3: verwendbare Kabelbauarten

Hersteller	Bauart/Bezeichnung	VDE-Nachweis
DÄTWYLER Cabling Solutions AG Gotthardstr. 31 CH-6460 Altdorf Schweiz	Dätwyler Keram (N)HXH FE 180 E90	7780

## 4.3 Abzweigdosen, Tragsystem, Zubehör und nächstgelegene Befestigung

### 4.3.1 Abzweigdosen

#### 4.3.1.1 WKE 2

<b>Bezeichnung:</b>	Kabelabzweigdose Typ „WKE 2“
<b>Hersteller:</b>	Günther Spelsberg GmbH + Co. KG Im Gewerbepark 1 58579 Schalksmühle DEUTSCHLAND
<b>Abmessung Kabelabzweigdose inkl. Deckel:</b>	100,2 x 100 x 69,8 (L x B x H in mm)
<b>Material:</b>	Polycarbonat – flame retardant (PC-FR)
<b>Farbe:</b>	RAL 2004 (reinorange)
<b>Schutzart:</b>	IP 66





<b>Kabeldurchführung aus Dose:</b>	<ul style="list-style-type: none"> <li>■ Doppelmembranstützen aus thermoplastischem Elastomer (TPE)</li> <li>■ entsprechend Abschnitt 4.3.4</li> <li>■ aus der Kabeldurchführung darf nur ein Kabel geführt werden</li> </ul>
<b>Kabelklemme:</b>	<ul style="list-style-type: none"> <li>■ entsprechend Abschnitt 4.3.3</li> </ul>
<b>Tragkonsole/ Montageplatte Abzweigdose: (Bezeichnung, Abmessung, Werkstoff,</b>	<p>Montageplatte „WKE“</p> <ul style="list-style-type: none"> <li>■ Abmessung: 60 mm x 68 mm x 65 mm x 180 mm</li> <li>■ Stahl</li> </ul>
<b>Befestigung Kabelabzweigdose an Montageplatte „WKE“:</b>	<p>Befestigung Kabelabzweigdose mit Montageplatte „WKE“:</p> <ul style="list-style-type: none"> <li>■ Befestigung Kabelabzweigdose an Montageplatte „WKE“ erfolgt über seitlich Befestigungslaschen der Kabelabzweigdose mit je einer Flachrundkopfschraube mit Vierkantansatz „FLM 6x12“ und Sechskantflanschmutter</li> <li>■ Anzahl Montageplatte „WKE“: 1 Stück</li> </ul>
<b>Befestigung Trägerschiene (für Kabelklemme) mit Kabelabzweigdose:</b>	<p>Befestigung Trägerschiene für Kabelklemme mit Kabelabzweigdose:</p> <ul style="list-style-type: none"> <li>■ Befestigungslasche (Schiene) in zwei Bodenvertiefungen gedrückt;</li> <li>■ Mittig in Kabelabzweigdose Trägerschiene mittels einer Schraube M5 x 12 mm und passender Unterlegscheibe befestigt</li> </ul>
<b>Konstruktive Einzelheiten der Tragkonstruktion:</b>	sind den Anlagen zu entnehmen

#### 4.3.1.2 WKE 4

<b>Bezeichnung:</b>	<b>Kabelabzweigdose Typ „WKE 4“</b>
<b>Hersteller:</b>	Günther Spelsberg GmbH + Co. KG Im Gewerbepark 1 58579 Schalksmühle DEUTSCHLAND
<b>Abmessung Kabelabzweigdose inkl. Deckel:</b>	150,2 x 150 x 84,8 (L x B x H in mm)
<b>Material:</b>	Polycarbonat – flame retardant (PC-FR)
<b>Farbe:</b>	RAL 2004 (reinorange)



<b>Schutzart:</b>	IP 66
<b>Kabeldurchführung aus Dose:</b>	<ul style="list-style-type: none"> <li>■ Doppelmembranstützen aus thermoplastischem Elastomer (TPE)</li> <li>■ entsprechend Abschnitt 4.3.4</li> <li>■ aus der Kabeldurchführung darf nur ein Kabel geführt werden</li> </ul>
<b>Kabelklemme:</b>	<ul style="list-style-type: none"> <li>■ entsprechend Abschnitt 4.3.3</li> </ul>
<b>Tragkonsole/ Montageplatte Abzweigdose: (Bezeichnung, Abmessung, Werkstoff)</b>	<p>Montageplatte „WKE“</p> <ul style="list-style-type: none"> <li>■ Abmessung: 60 mm x 68 mm x 65 mm x 180 mm</li> <li>■ Stahl</li> </ul>
<b>Befestigung Kabelabzweigdose an Montageplatte „WKE“</b>	<p>Befestigung Kabelabzweigdose mit Montageplatte „WKE“</p> <ul style="list-style-type: none"> <li>■ Befestigung Kabelabzweigdose an Montageplatte „WKE“ erfolgt über seitlich Befestigungslaschen der Kabelabzweigdose mit je einer Flachrundkopfschraube mit Vierkantansatz „FLM 6x12“ und Sechskantflanschmutter</li> <li>■ Anzahl Montageplatte „WKE“: 2 Stück</li> </ul>
<b>Befestigung Trägerschiene (für Kabelklemme) mit Kabelabzweigdose:</b>	<p>Befestigung Trägerschiene für Kabelklemme mit Kabelabzweigdose:</p> <ul style="list-style-type: none"> <li>■ Befestigungslasche (Schiene) in zwei Bodenvertiefungen gedrückt;</li> <li>■ Mittig in Kabelabzweigdose Trägerschiene mittels einer Schraube M5 x 12 mm und passender Unterlegscheibe befestigt</li> </ul>
<b>Konstruktive Einzelheiten der Tragkonstruktion:</b>	sind den Anlagen zu entnehmen

**4.3.1.3 WKE 6**

<b>Bezeichnung:</b>	<b>Kabelabzweigdose Typ „WKE 6“</b>
<b>Hersteller:</b>	Günther Spelsberg GmbH + Co. KG Im Gewerbepark 1 58579 Schalksmühle DEUTSCHLAND
<b>Abmessung Kabelabzweigdose inkl. Deckel:</b>	250,2 x 200 x 119,8 (L x B x H in mm)
<b>Material:</b>	Polycarbonat – flame retardant (PC-FR)

<b>Farbe:</b>	RAL 2004 (reinorange)
<b>Schutzart:</b>	IP 66
<b>Kabeldurchführung aus Dose:</b>	<ul style="list-style-type: none"><li>■ Doppelmembranstützen aus thermoplastischem Elastomer (TPE)</li><li>■ entsprechend Abschnitt 4.3.4</li><li>■ aus der Kabeldurchführung darf nur ein Kabel geführt werden</li></ul>
<b>Kabelklemme:</b>	<ul style="list-style-type: none"><li>■ entsprechend Abschnitt 4.3.3</li></ul>
<b>Tragkonsole/ Montageplatte Abzweigdose: (Bezeichnung, Abmessung, Werkstoff,</b>	Montageplatte „WKE“ <ul style="list-style-type: none"><li>■ Abmessung: 60 mm x 68 mm x 65 mm x 180 mm</li><li>■ Stahl</li></ul>
<b>Befestigung Kabelabzweigdose an Montageplatte „WKE“</b>	Befestigung Kabelabzweigdose mit Montageplatte „WKE“ <ul style="list-style-type: none"><li>■ Befestigung Kabelabzweigdose an Montageplatte „WKE“ erfolgt über seitlich Befestigungsglaschen der Kabelabzweigdose mit je einer Flachrundkopfschraube mit Vierkantansatz „FLM 6x12“ und Sechskantflanschmutter</li><li>■ Anzahl Montageplatte „WKE“: 2 Stück</li></ul>
<b>Befestigung Trägerschiene (für Kabelklemme) mit Kabelabzweigdose:</b>	Befestigung Trägerschiene für Kabelklemme mit Kabelabzweigdose: <ul style="list-style-type: none"><li>■ Befestigungsglasche (Schiene) in zwei Bodenvertiefungen gedrückt;</li><li>■ Mittig in Kabelabzweigdose Trägerschiene mittels einer Schraube M5 x 12 mm und passender Unterlegscheibe befestigt</li></ul>
<b>Konstruktive Einzelheiten der Tragkonstruktion:</b>	sind den Anlagen zu entnehmen





## 4.3.2 Tragsystem

### 4.3.2.1 Kabelrinne „RLVC 60.400“

<b>Bezeichnung:</b>	Kabelrinne Typ „RLVC 60.400 S“
<b>Hersteller:</b>	Niedax GmbH & Co. KG Asbacher Straße 141 53545 Linz/Rhein DEUTSCHLAND
<b>Montageart:</b>	<ul style="list-style-type: none"><li>■ Deckenmontage</li><li>■ Wandmontage</li></ul>
<b>Stützabstand:</b>	≤ 1500 mm
<b>Gesamtbelastung:</b>	≤ 20 kg/m
<b>Kabelrinne: (Bezeichnung, Werkstoff, Befestigung)</b>	Kabelrinne Typ „RLVC 60.400 S“ <ul style="list-style-type: none"><li>■ Breite: 400 mm</li><li>■ Holmhöhe: 60 mm</li><li>■ Materialstärke: 0,9 mm</li><li>■ Lochanteil: 11,4 %</li><li>■ Stahl, Oberfläche bandverzinkt nach DIN EN 10346</li></ul> Befestigung auf Ausleger „KTAS 400“ <ul style="list-style-type: none"><li>■ Verschraubung der Kabelrinne „RLVC 60.400 S“ mit Ausleger erfolgt je Seite mit einer Flachrundkopfschraube mit Vierkantansatz „FLM 6 x 12 und Sechskantflanschnutter</li><li>■ Schraubenkopf zum Kabelrinneninneren</li></ul>
<b>Stoßstellenverbindung: (Bezeichnung, Werkstoff, Beschreibung)</b>	<ul style="list-style-type: none"><li>■ Kabelrinnen „RLVC 60.400 S“ an Stoßstellen ineinandergesteckt; zusätzliche Befestigung im Rinnenboden mit zwei Flachrundkopfschrauben mit Vierkantansatz „FLM 6x12“ und Sechskantflanschnutter sowie je Rinnenholm mit einer Flachrundkopfschraube „FLM 6x12“ und Sechskantflanschnutter</li></ul>

<b>Hängestiel: (Bezeichnung, Werkstoff)</b>	Hängestiel Typ „HU 5050/1100“ <ul style="list-style-type: none"><li>■ U-Profil: 50 x 50 mm</li><li>■ L= 1105 mm</li><li>■ Materialstärke: 2,5 mm</li><li>■ Abmessungen Kopfplatte (L x B x t):<ul style="list-style-type: none"><li>■ 140 x 80 x 5 mm</li></ul></li><li>■ Stahl tauchfeuerverzinkt DIN EN ISO 1461</li></ul>
<b>Hängestielbefestigung für Deckenmontage: (Bezeichnung, Werkstoff, Beschreibung)</b>	Befestigung der Hängestiele Typ „HU 5050/1100“ erfolgt mit zwei Befestigungsmitteln $\geq$ M12 (siehe auch Abschnitt 4.1): <ul style="list-style-type: none"><li>■ Stahl verzinkt</li></ul>
<b>Anzahl der Ebenen am Hängestiel:</b>	<ul style="list-style-type: none"><li>■ Ausführung bis zu zwei Ebenen</li><li>■ Abstand zwischen den Ebenen mindestens <math>\geq</math> 400 mm</li><li>■ Abstand Decke / unterste Ebene: <math>\leq</math> 780 mm</li></ul>
<b>Ausleger/Konsole: (Bezeichnung, Werkstoff)</b>	Hängestiel- und Wandausleger Typ „KTAS 400“ <ul style="list-style-type: none"><li>■ Stahl 2,0 mm</li><li>■ Stahl feuerverzinkt</li></ul>
<b>Ausleger- bzw. Konsolenbefestigung: (Bezeichnung, Werkstoff, Beschreibung)</b>	Hängestiel- und Wandausleger Typ „KTAS 400“ an Hängestiel „HU 5050/1100“ befestigt: <ul style="list-style-type: none"><li>■ mit Sechskopfschraube „SKM 10 x 80“ mit Unterlegscheibe und Sechskantflanschnutter „SMF 10 1661 F“</li><li>■ eingelegtes Hängestieldistanzprofil „HDS 5050“<ul style="list-style-type: none"><li>■ Abmessung: 80 mm x 36 mm</li><li>■ Breite: 43 mm</li><li>■ Materialstärke 1,5 mm</li><li>■ Stahl feuerverzinkt</li></ul></li></ul> mit o.g. Sechskopfschraube „SKM 10 x 80“ mit Sechskantflanschnutter fixiert.
<b>Befestigung Montageplatte „WKE“ an Kabelrinne:</b>	<ul style="list-style-type: none"><li>■ Montageplatte „WKE“ über Rinnenholm geschoben und im Rinnenboden mit zwei Flachrundkopfschrauben mit Vierkantansatz „FLM 6x12“ und Sechskantflanschnuttern befestigt</li></ul>



**Positionierung Montageplatte „WKE“ mit Kabelabzweigdose an Tragsystem:**

Zugelassene Positionierung Montageplatte „WKE“ mit Kabelabzweigdose an Tragsystem:

- WKE 2:
  - Feldmitte
  - Stoß (neben Verschraubung Stoßstelle)
- WKE 4:
  - Feldmitte
  - Stoß (neben Verschraubung Stoßstelle)
- WKE 6:
  - Feldmitte
  - Stoß (neben Verschraubung Stoßstelle, nicht mittig über Stoßstelle)
  - Ausleger (1. Montageplatte „WKE“ über Ausleger „KTAS 400“)

**Konstruktive Einzelheiten der Tragkonstruktion:**

sind den Anlagen zu entnehmen

**4.3.3 Kabelklemmen**

Die Auswahl der Kabelklemmen muss entsprechend des Aderquerschnitts erfolgen und für diesen geeignet sein. Es kommen die folgenden Kabelklemmen (siehe auch Zeichnungen gemäß Anlage) in Betracht:

- Fabrikat Spelsberg Keramik-Einzelklemme 6 mm<sup>2</sup>
- Fabrikat Spelsberg Keramik-Einzelklemme 10 mm<sup>2</sup>
- Fabrikat Spelsberg Keramik-Einzelklemme 16 mm<sup>2</sup>
- Fabrikat Spelsberg Keramik-Doppelklemme 6 mm<sup>2</sup>
- Fabrikat Spelsberg Keramik-Doppelklemme 10 mm<sup>2</sup>
- Fabrikat Spelsberg Keramik-Doppelklemme 16 mm<sup>2</sup>

Die Klemmgehäuse sind aus einem keramischen Werkstoff Steatite MRP 6 zu fertigen. Der Buchsenklemmkörper ist aus Kupfermaterial zu fertigen. Weitere konstruktive Einzelheiten zur Ausbildung der Kabelklemmen sind den Anlagen zu entnehmen.



#### **4.3.4 Kabeldurchführung**

##### **4.3.4.1 Membrandurchführung**

Die Membrandurchführungen sind aus thermoplastischem Elastomer (TPE) zu fertigen. Es kommen folgende Membrandurchführungen in Betracht:

- Fabrikat Spelsberg Typ Doppelmembranstutzen M16
- Fabrikat Spelsberg Typ Doppelmembranstutzen M20
- Fabrikat Spelsberg Typ Doppelmembranstutzen M25
- Fabrikat Spelsberg Typ Doppelmembranstutzen M32
- Fabrikat Spelsberg Typ Doppelmembranstutzen 4-fach DMS-M32
- Fabrikat Spelsberg Typ Doppelmembranstutzen M40
- Fabrikat Spelsberg Typ Doppelmembranstutzen 4-fach DMS-M40

Weitere konstruktive Einzelheiten zur Ausbildung der Membrandurchführungen sind den Anlagen zu entnehmen.



##### **4.3.5 Befestigungsabstand erste Kabelschelle nach Kabelabzweigdose WKE auf Kabelrinne**

Der Befestigungsabstand der ersten Kabelschelle nach der Kabelabzweigdose „WKE“ auf der Kabelrinne ergibt sich aufgrund des angewendeten Aderquerschnitts. Es kommen folgende Befestigungsabstände in Betracht:

- Aderquerschnitt  $1,5 \text{ mm}^2$ : Befestigungsabstand = 350 mm
- Aderquerschnitt  $> 1,5 \text{ mm}^2 \leq 6 \text{ mm}^2$ : Befestigungsabstand = 400 mm
- Aderquerschnitt  $> 6 \text{ mm}^2 \leq 16 \text{ mm}^2$ : Befestigungsabstand = 500 mm

##### **4.3.6 Einzelschelle /RS -Schelle**

Die Kabelführung muss mit einschaligen Rohrschellen Fabrikat „Althaus“ oder gleichwertig erfolgen. Die Einzelschellen sind aus Stahl zu fertigen.

Der nominelle Anwendungsbereich der Einzelschelle muss dem Durchmesser des Kabels entsprechen.

Weitere konstruktive Einzelheiten zur Ausbildung der einschaligen Rohrschellen sind den Anlagen zu entnehmen.

## **5 Unterhalt und Wartung des Bauprodukts**

- Das Bauprodukt darf in der Anwendung keiner weitergehenden oder zweckfremden Beanspruchung ausgesetzt sein. Der Hersteller hat in seinen Begleitdokumenten die bestimmungsgemäße Nutzung zu beschreiben, die eine negative Beeinflussung der Eigenschaften des Bauprodukts nicht besorgen lässt.
- Das Bauprodukt darf in der Anwendung keiner Wirkung aggressiver/scharfer Chemikalien/Reinigungsmittel ausgesetzt sein. Der Hersteller hat in seinen Begleitdokumenten solche Reinigungsmethoden und –mittel anzugeben, deren Anwendung die Eigenschaften des Bauprodukts nicht negativ beeinflussen.
- Ist die wesentliche Verschlechterung der Eigenschaften des Bauprodukts über die Zeit nicht auszuschließen, ist durch den Hersteller eine maximale Lebensdauer des Bauprodukts anzugeben.
- Bei jeder Ausführung der Kabelanlage mit integriertem Funktionserhalt hat der Anwender den Auftraggeber darauf hinzuweisen, dass die Brandschutzwirkung der Kabelanlage mit integriertem Funktionserhalt auf Dauer nur sichergestellt ist, wenn die Kabelanlage, d. h. die Kabelbauarten und die Kabeltragekonstruktion, stets in ordnungsgemäßem Zustand gehalten und nach evtl. Nachbelegung mit Kabeln der bestimmungsgemäße Zustand der Kabelanlage mit integriertem Funktionserhalt wiederhergestellt wird.



## **6 Rechtsgrundlage**

Dieses allgemeine bauaufsichtliche Prüfzeugnis wird aufgrund des § 17 Absatz 3 in Verbindung mit § 22 Absatz 2 der Bauordnung für das Land Nordrhein-Westfalen (BauO NRW) vom 15. Dezember 2016 in Verbindung mit der VV TB NRW laufende Nummer C4.9 Ausgabe Juni 2019 erteilt. In den Landesbauordnungen der übrigen Bundesländer sind § 19 Absatz 2 Satz 2 in Verbindung mit § 18 Absatz 7 der Musterbauordnung (MBO), in der Fassung vom November 2002, zuletzt geändert durch Beschluss der Bauministerkonferenz vom Mai 2016, entsprechende Rechtsgrundlagen enthalten, welche auch die Anerkennung von allgemeinen bauaufsichtlichen Prüfzeugnissen der Prüfstellen anderer Länder regeln.




**7 Rechtsbehelfsbelehrung**

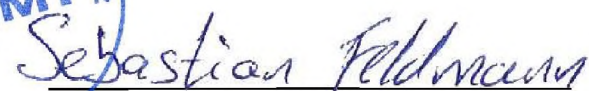
Gegen diesen Bescheid kann innerhalb eines Monats nach seiner Bekanntgabe Klage erhoben werden. Die Klage ist schriftlich oder zur Niederschrift beim Verwaltungsgericht Gelsenkirchen, Bahnhofsvorplatz 3, 45879 Gelsenkirchen, zu erheben.


Die Klage kann auch in elektronischer Form nach Maßgabe der Verordnung über den elektronischen Rechtsverkehr bei den Verwaltungsgerichten und Finanzgerichten im Lande Nordrhein-Westfalen -ERVVO VG/FG- vom 7. November 2012 (GVNRW.2012 S. 548) eingereicht werden. In diesem Fall muss das elektronische Dokument mit einer qualifizierten Signatur nach § 2 Nr. 3 des Signaturgesetzes vom 16. Mai 2001 (BGBl. I S. 876) in der jeweils geltenden Fassung versehen sein und an die elektronische Poststelle des Gerichts übermittelt werden.

Hinweis: Bei Verwendung der elektronischen Form sind besondere technische Rahmenbedingungen zu beachten. Die besonderen technischen Voraussetzungen sind unter [www.egvp.de](http://www.egvp.de) aufgeführt.

Dortmund, 03.11.2021

  
Dipl.-Ing. (FH) Nadine Niederberghaus  
(stellvertretende Leiterin der Prüfstelle)

  
Sebastian Feldmann, M.Sc.  
(Sachbearbeiter)

A circular blue ink stamp with the text "DMT-Prüfstelle für Brandschutz" around the perimeter and the "DMT" logo in the center.

## ÜBEREINSTIMMUNGSERKLÄRUNG

Name und Anschrift des Unternehmers, der die Kabelanlage mit integriertem Funktionserhalt erstellt hat:

.....\*

Baustelle/Gebäude/Objekt/Vorhaben:

.....\*

Datum der Herstellung:

.....\*

Geforderte Funktionserhaltsklasse der Kabelanlage(n) mit integriertem Funktionserhalt:

E.....\* nach DIN 4102-12:1998-11

Hiermit wird bestätigt, dass die Kabelanlage(n) mit integriertem Funktionserhalt der oben genannten Funktionserhaltsklasse hinsichtlich aller Einzelheiten fachgerecht und unter Einhaltung aller Bestimmungen des allgemeinen bauaufsichtlichen Prüfzeugnisses Nr. P-1042 DMT DO der DMT GmbH & Co. KG, Prüfstelle für Brandschutz, Dortmund, vom 03.11.2021 hergestellt und eingebaut wurde(n).

Für die nicht vom Unterzeichner selbst hergestellten Bauprodukte oder Einzelteile (z. B. Kabelbauarten) wird dies hiermit ebenfalls bestätigt aufgrund [der vorhandenen Kennzeichnung der Teile entsprechend den Bestimmungen des allgemeinen bauaufsichtlichen Prüfzeugnisses/eigener Kontrollen/entsprechender schriftlicher Bestätigungen der Hersteller der Bauprodukte oder Teile, die der Unterzeichner zu seinen Akten genommen hat]\*\*.

\_\_\_\_\_  
Ort, Datum

\_\_\_\_\_  
Stempel und Unterschrift

(Diese Bescheinigung ist dem Bauherren zur Weitergabe  
an die zuständige Bauaufsichtsbehörde auszuhändigen!)

\*)vom Unterzeichner auszufüllen \*\*) nichtzutreffendes streichen

Kabelanlage mit integriertem Funktionserhalt: Abzweigdosen "WKE" der Günther Spelsberg GmbH + Co. KG befestigt an Kabelrinne "RLVC 60.400" der Firma Niedax GmbH & Co. KG, zur Verwendung in Kabelanlagen mit integriertem Funktionserhalt

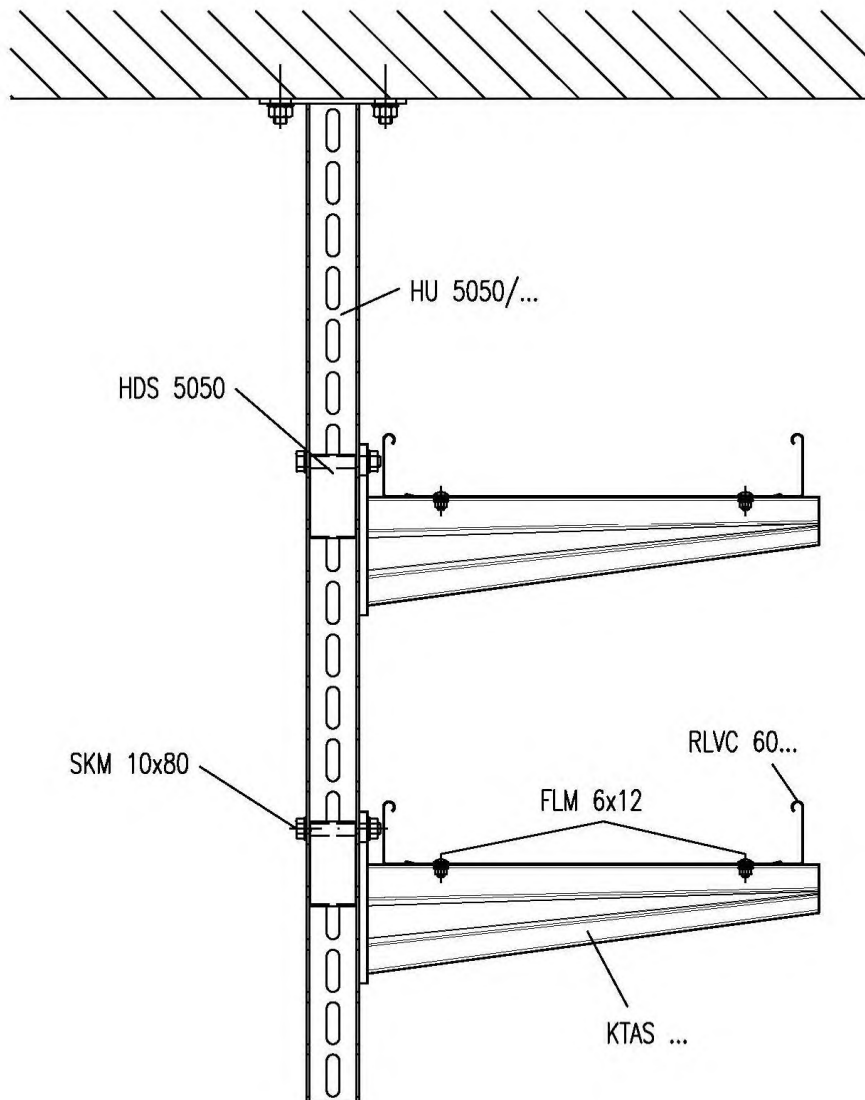
Muster einer Übereinstimmungserklärung



Anlage 1

zum Allgemeinen bauaufsichtlichen Prüfzeugnis P-1042 DMT DO vom 03.11.2021





 GmbH & Co. KG Linz/Rhein	Verwendung: Kabelrinnen-Abhängung	Ausgabe vom: 28.07.2021
--	--------------------------------------	-------------------------



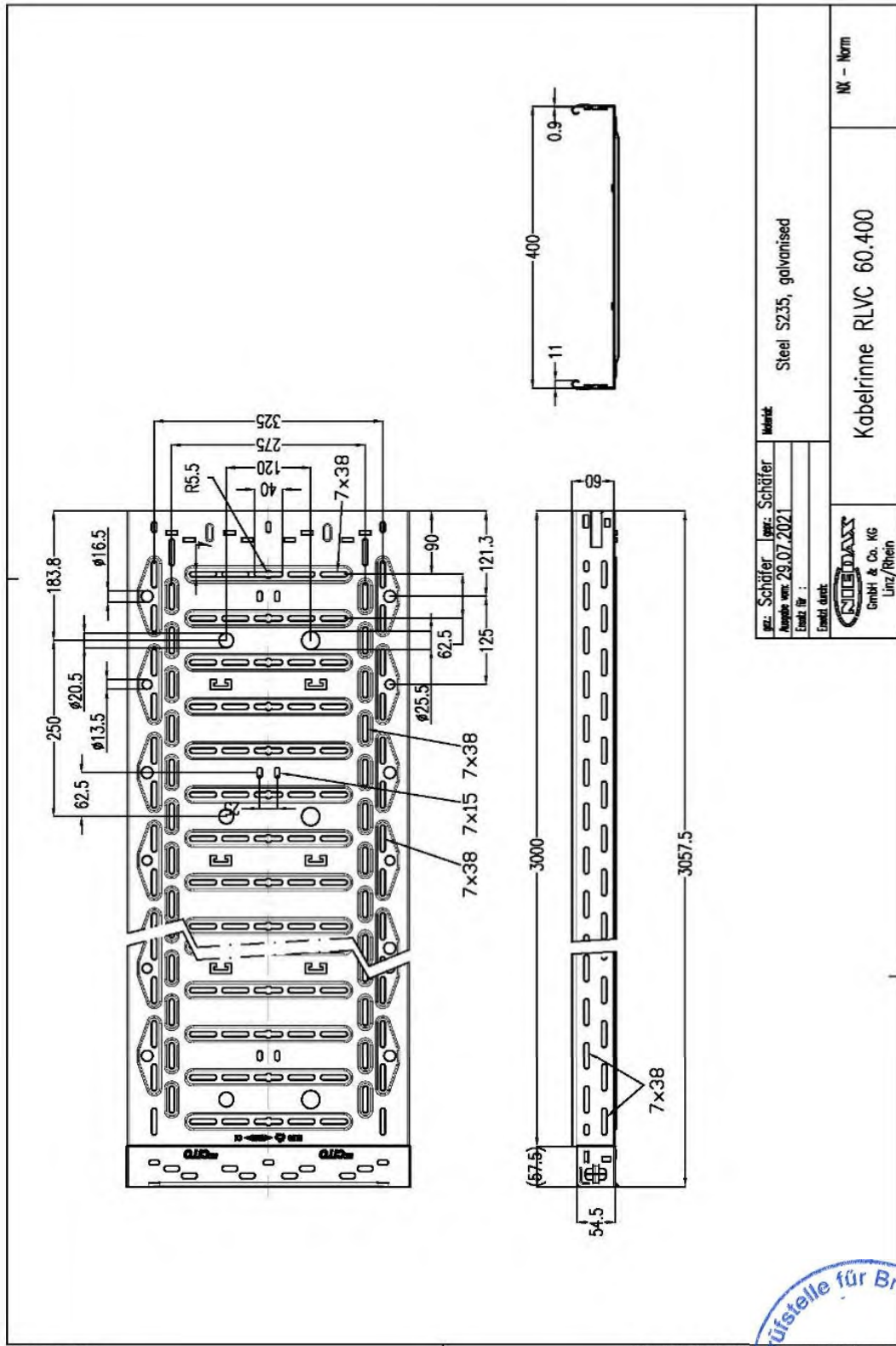
Kabelanlage mit integriertem Funktionserhalt: Abzweigdosen "WKE" der Günther Spelsberg GmbH + Co. KG befestigt an Kabelrinne "RLVC 60.400" der Firma Niedax GmbH & Co. KG, zur Verwendung in Kabelanlagen mit integriertem Funktionserhalt

Tragsystem Ausführung Deckenabhängung :  
 Kabelrinne „RLVC 60.400“



Anlage 2

zum Allgemeinen bauaufsichtlichen  
 Prüfzeugnis P-1042 DMT DO  
 vom 03.11.2021



Originalformat A3

DMT ist ein eingetragenes Warenzeichen der DMT-Gruppe. Die DMT-Gruppe ist ein Unternehmen der DMT-Gruppe. Die DMT-Gruppe ist ein Unternehmen der DMT-Gruppe. Die DMT-Gruppe ist ein Unternehmen der DMT-Gruppe.

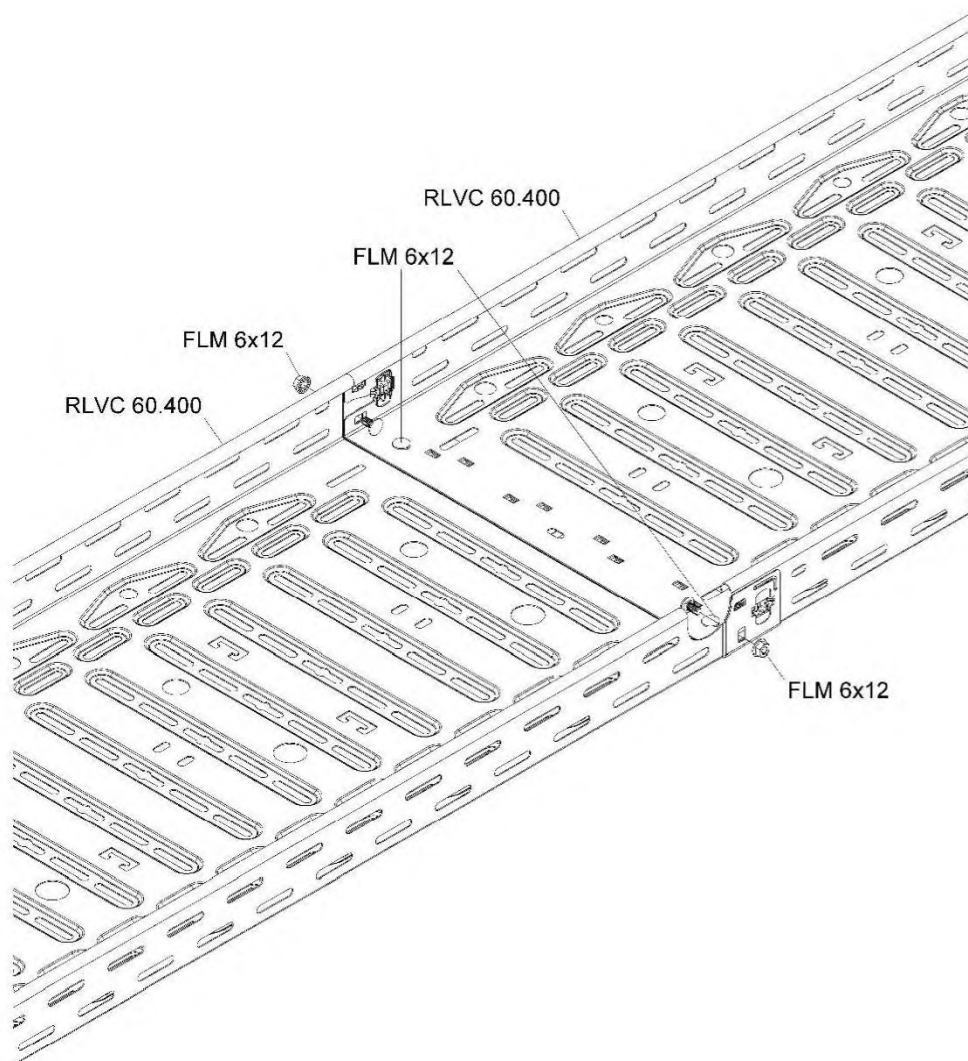


Kabelanlage mit integriertem Funktionserhalt: Abzweigdosen "WKE" der Günther Spelsberg GmbH + Co. KG befestigt an Kabelrinne "RLVC 60.400" der Firma Niedax GmbH & Co. KG, zur Verwendung in Kabelanlagen mit integriertem Funktionserhalt

Tragsystem Kabelrinne „RLVC 60.400“:  
Detailzeichnung



Anlage 3  
zum Allgemeinen bauaufsichtlichen  
Prüfzeugnis P-1042 DMT DO  
vom 03.11.2021



GmbH & Co. KG  
Linz/Rhein

Verwendung:

Stoßstelle Kabelrinne  
RLVC 60.400

Ausgabe vom: 03.12.2010



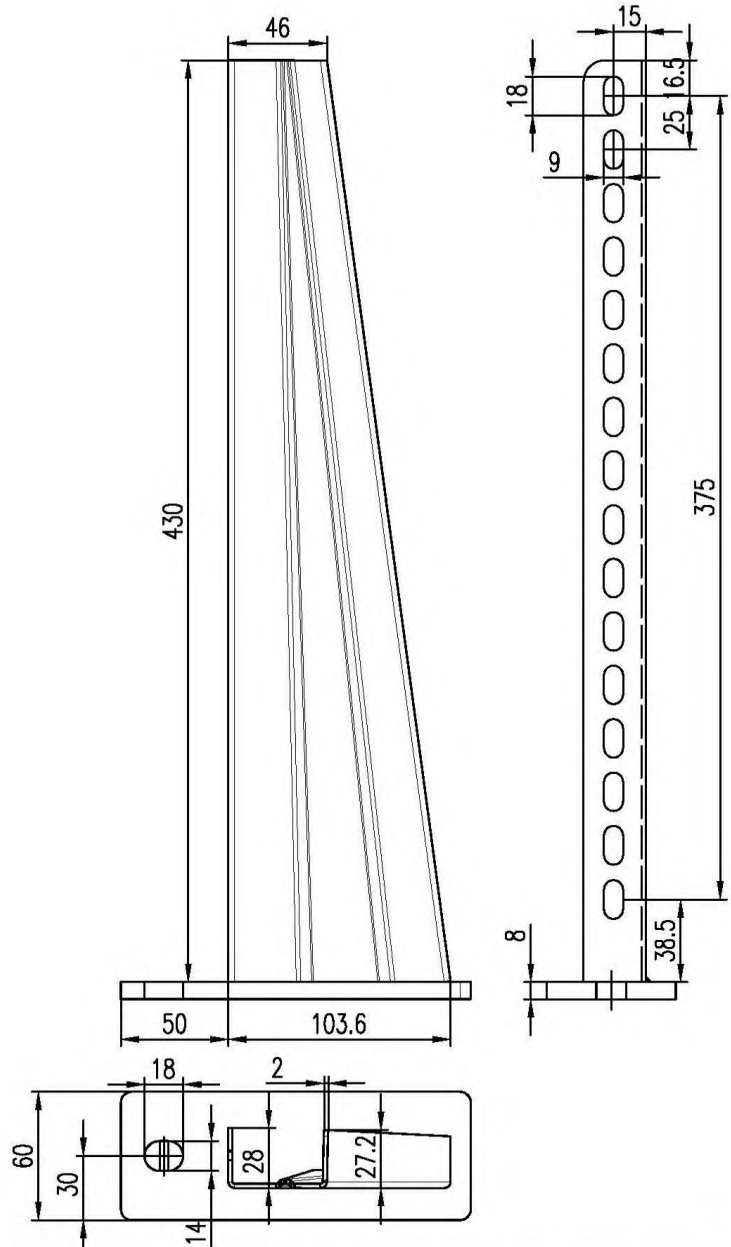
Kabelanlage mit integriertem Funktionserhalt: Abzweigdosen "WKE" der Günther Spelsberg GmbH + Co. KG befestigt an Kabelrinne "RLVC 60.400" der Firma Niedax GmbH & Co. KG, zur Verwendung in Kabelanlagen mit integriertem Funktionserhalt

Tragsystem Kabelrinne „RLVC 60.400“:  
Ausführung Stosstelle



Anlage 4

zum Allgemeinen bauaufsichtlichen  
Prüfzeugnis P-1042 DMT DO  
vom 03.11.2021



**NIEDAX**  
GmbH & Co. KG  
Linz/Rhein

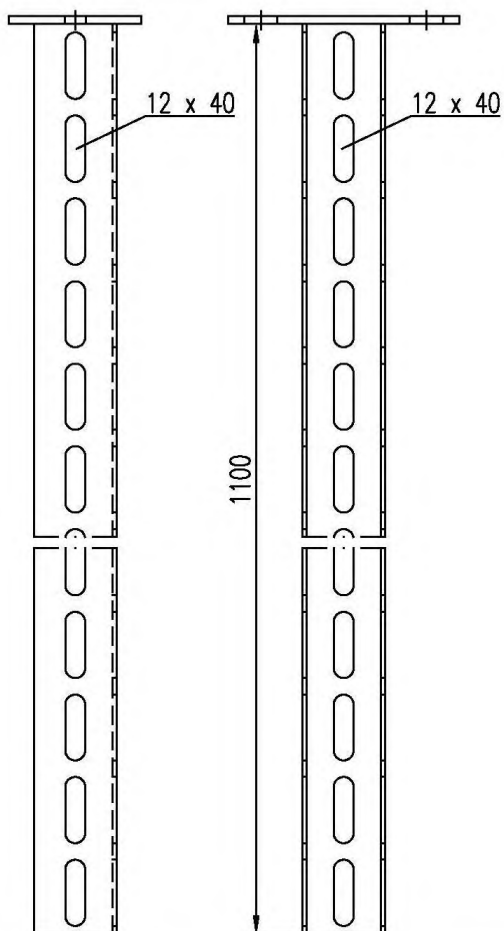
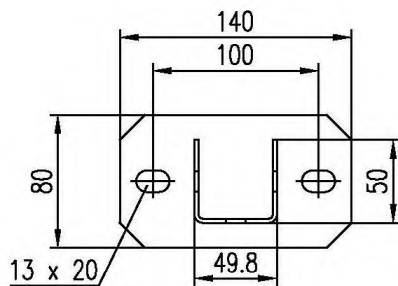
Verwendung: Wand- und Hängestielausleger  
KTAS 400  
Ausgabe vom: 24.07.2008



Kabelanlage mit integriertem Funktionserhalt: Abzweigdosen "WKE" der Günther Spelsberg GmbH + Co. KG befestigt an Kabelrinne "RLVC 60.400" der Firma Niedax GmbH & Co. KG, zur Verwendung in Kabelanlagen mit integriertem Funktionserhalt

Anlage 5  
zum Allgemeinen bauaufsichtlichen  
Prüfzeugnis P-1042 DMT DO  
vom 03.11.2021

Tragsystem Kabelrinne „RLVC 60.400“:  
Detailzeichnung „Wand- und Hängestielausleger KTAS 400“



**NIEDAX**  
GmbH & Co. KG  
Linz/Rhein

Verwendung:

Hängestiel  
HU 5050/1100

Ausgabe vom: 28.07.2021



Kabelanlage mit integriertem Funktionserhalt: Abzweigdosen "WKE" der Günther Spelsberg GmbH + Co. KG befestigt an Kabelrinne "RLVC 60.400" der Firma Niedax GmbH & Co. KG, zur Verwendung in Kabelanlagen mit integriertem Funktionserhalt

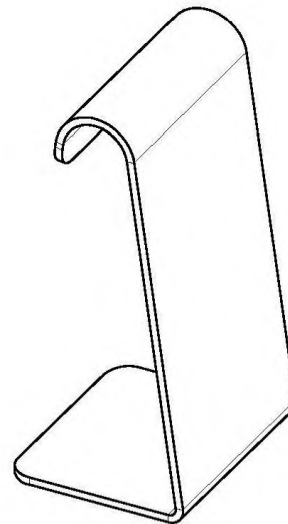
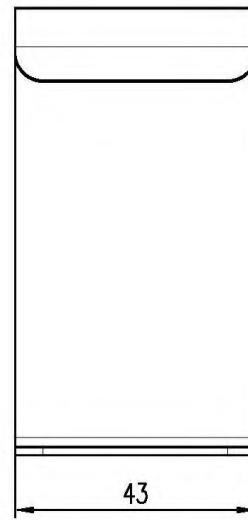
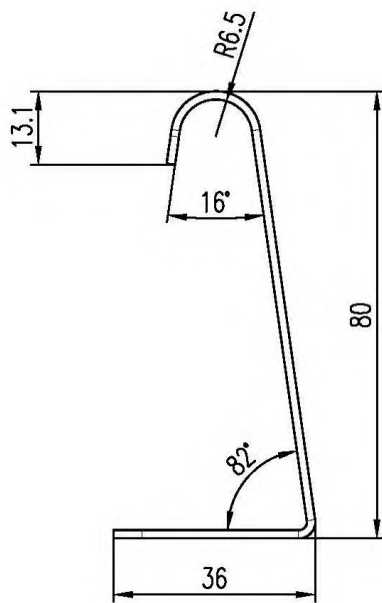
Tragsystem Kabelrinne „RLVC 60.400“:

Detailzeichnung „Hängestiel HU 5050/1100“



Anlage 6

zum Allgemeinen bauaufsichtlichen  
Prüfzeugnis P-1042 DMT DO  
vom 03.11.2021



	Verwendung:	Ausgabe vom: 23.07.2008
Hängestieldistanzprofil HDS 5050		



Kabelanlage mit integriertem Funktionserhalt: Abzweigdosen "WKE" der Günther Spelsberg GmbH + Co. KG befestigt an Kabelrinne "RLVC 60.400" der Firma Niedax GmbH & Co. KG, zur Verwendung in Kabelanlagen mit integriertem Funktionserhalt

Tragsystem Kabelrinne „RLVC 60.400“:

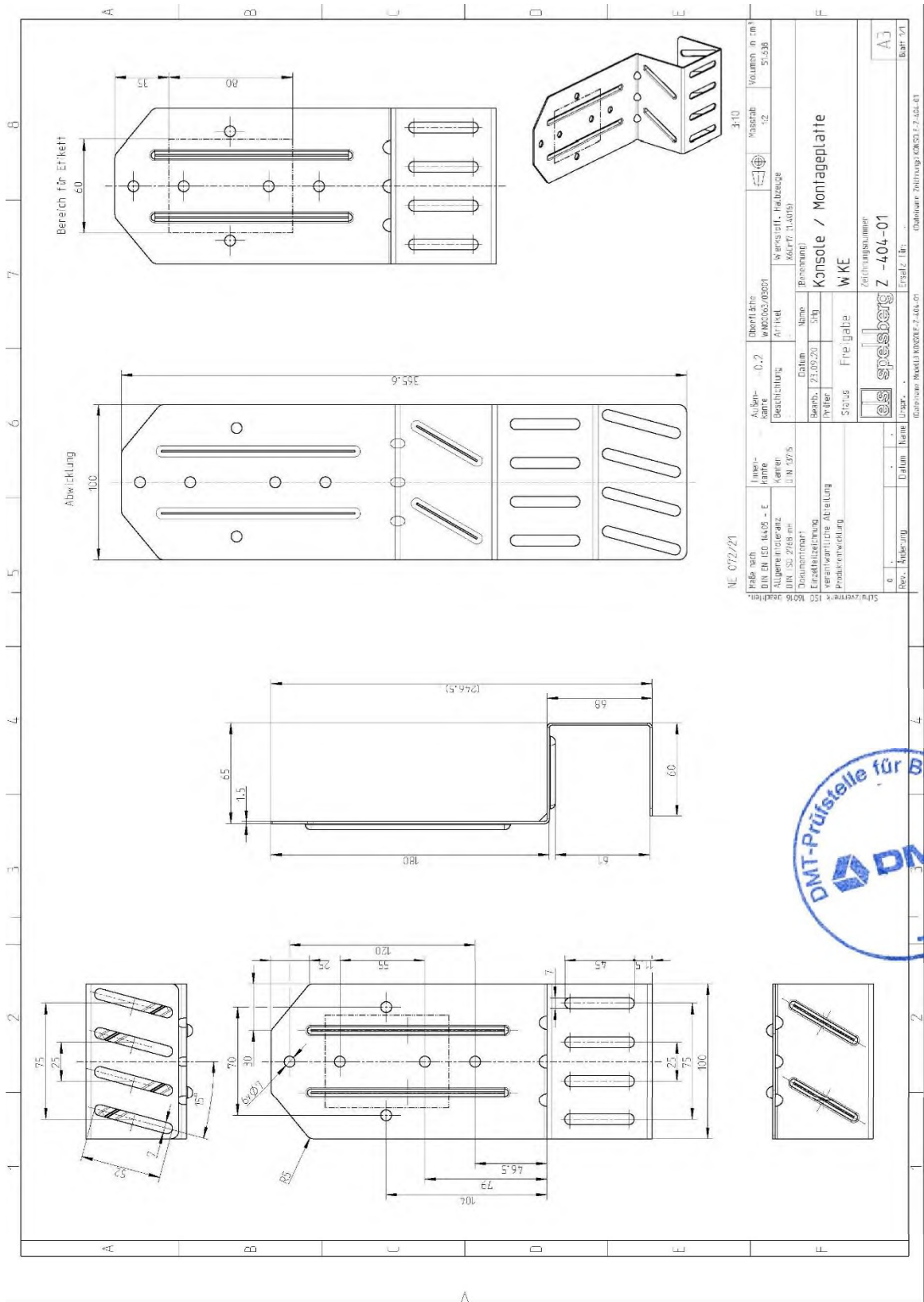
Detailzeichnung „Hängestieldistanzprofil HDS 5050“



Anlage 7

zum Allgemeinen bauaufsichtlichen  
Prüfzeugnis P-1042 DMT DO  
vom 03.11.2021





NE 072/21		3-10		3-10	
Titel nach DIN EN ISO 14605 - E Allgemeine Zeichnung DIN ISO 2258 mit Trennzeichen Erstausfertigung Produktionszeichnung	Autoren AG/MS JIN 5375	Abw.- grad 0,2	Bezeichnung 3110	Werkstoff, Maßgröße K6007 (3,6059)	Volumen in m <sup>3</sup> 5,238
Stufenfolge	Datum	Freigabe	Konsole / Montageplatte		
6	03.11.2021	WKE	Z-404-01		
Günther Spelsberg Z-404-01					
Ersatz für					
Blatt 1/1					

Kabelanlage mit integriertem Funktionserhalt: Abzweigdosen "WKE" der Günther Spelsberg GmbH + Co. KG befestigt an Kabelrinne "RLVC 60.400" der Firma Niedax GmbH & Co. KG, zur Verwendung in Kabelanlagen mit integriertem Funktionserhalt

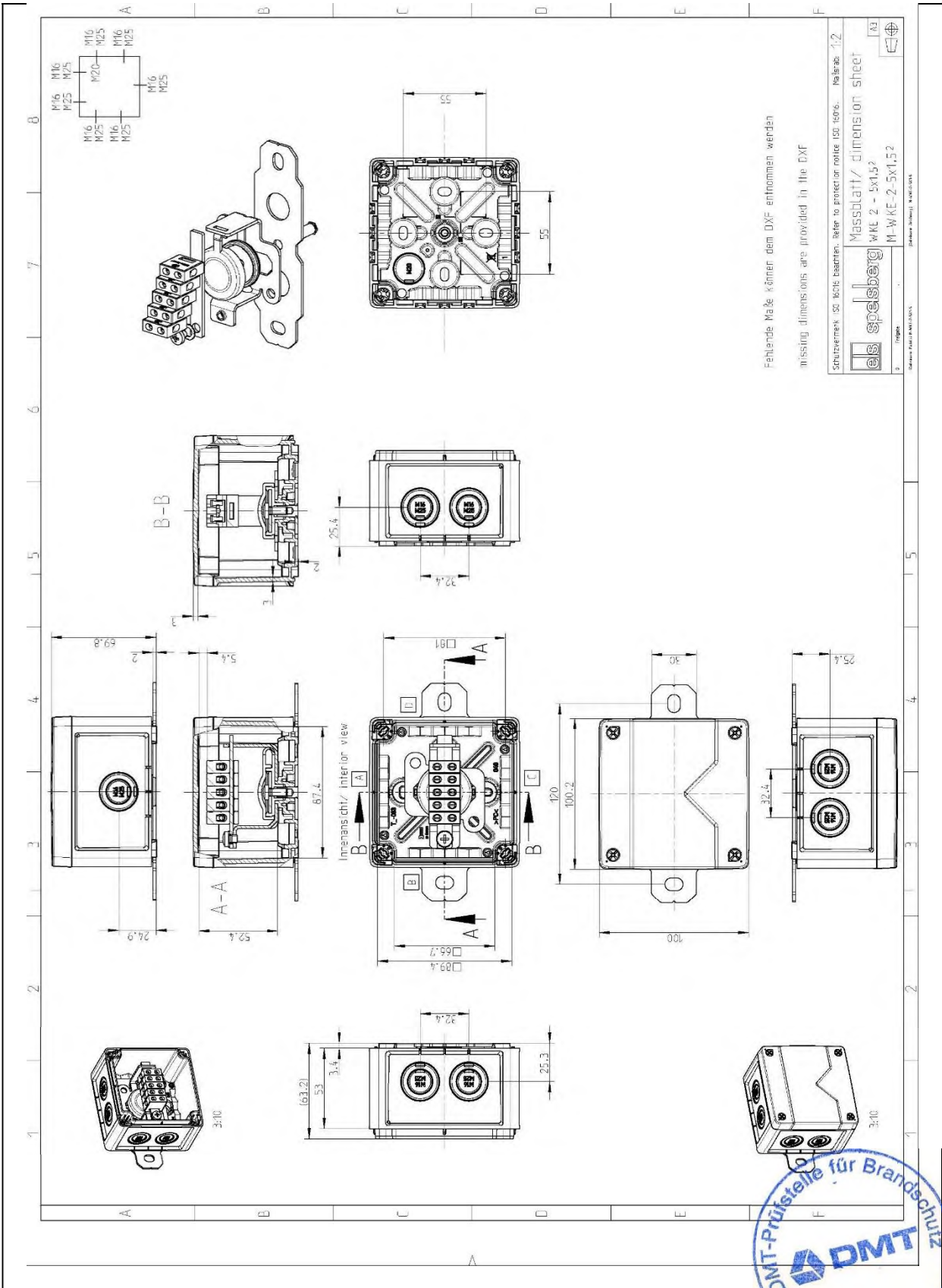
Tragsystem Kabelrinne „RLVC 60.400“:

Detailzeichnung Konsole /- Montageplatte „WKE“

**DMT**

Anlage 8

zum Allgemeinen bauaufsichtlichen  
Prüfzeugnis P-1042 DMT DO  
vom 03.11.2021



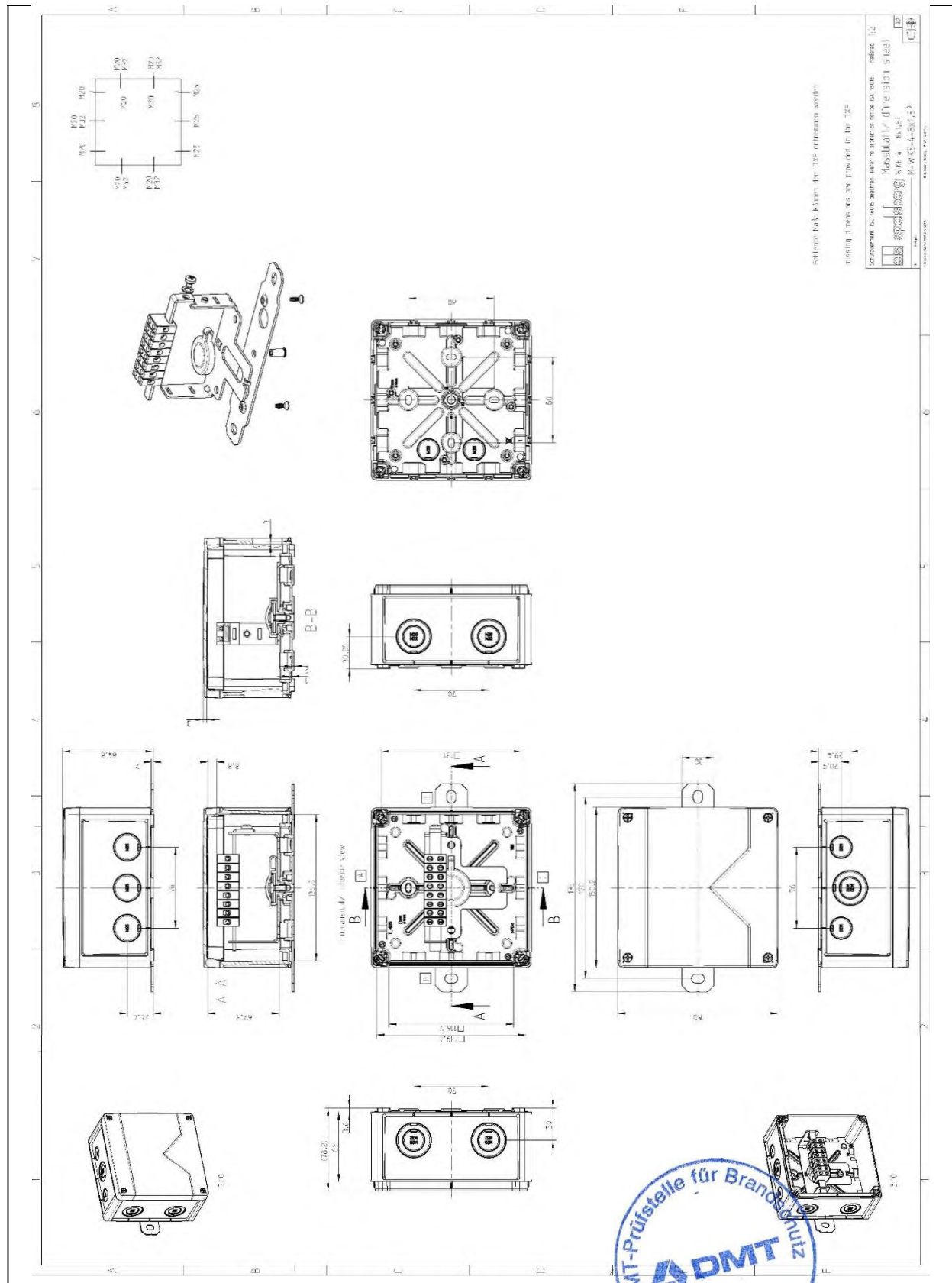
Kabelanlage mit integriertem Funktionserhalt: Abzweigdosen "WKE" der Günther Spelsberg GmbH + Co. KG befestigt an Kabelrinne "RLVC 60.400" der Firma Niedax GmbH & Co. KG, zur Verwendung in Kabelanlagen mit integriertem Funktionserhalt

WKE 2:  
Zeichnung der Abzweigdose „WKE 2“



Anlage 9

zum Allgemeinen bauaufsichtlichen  
Prüfzeugnis P-1042 DMT DO  
vom 03.11.2021



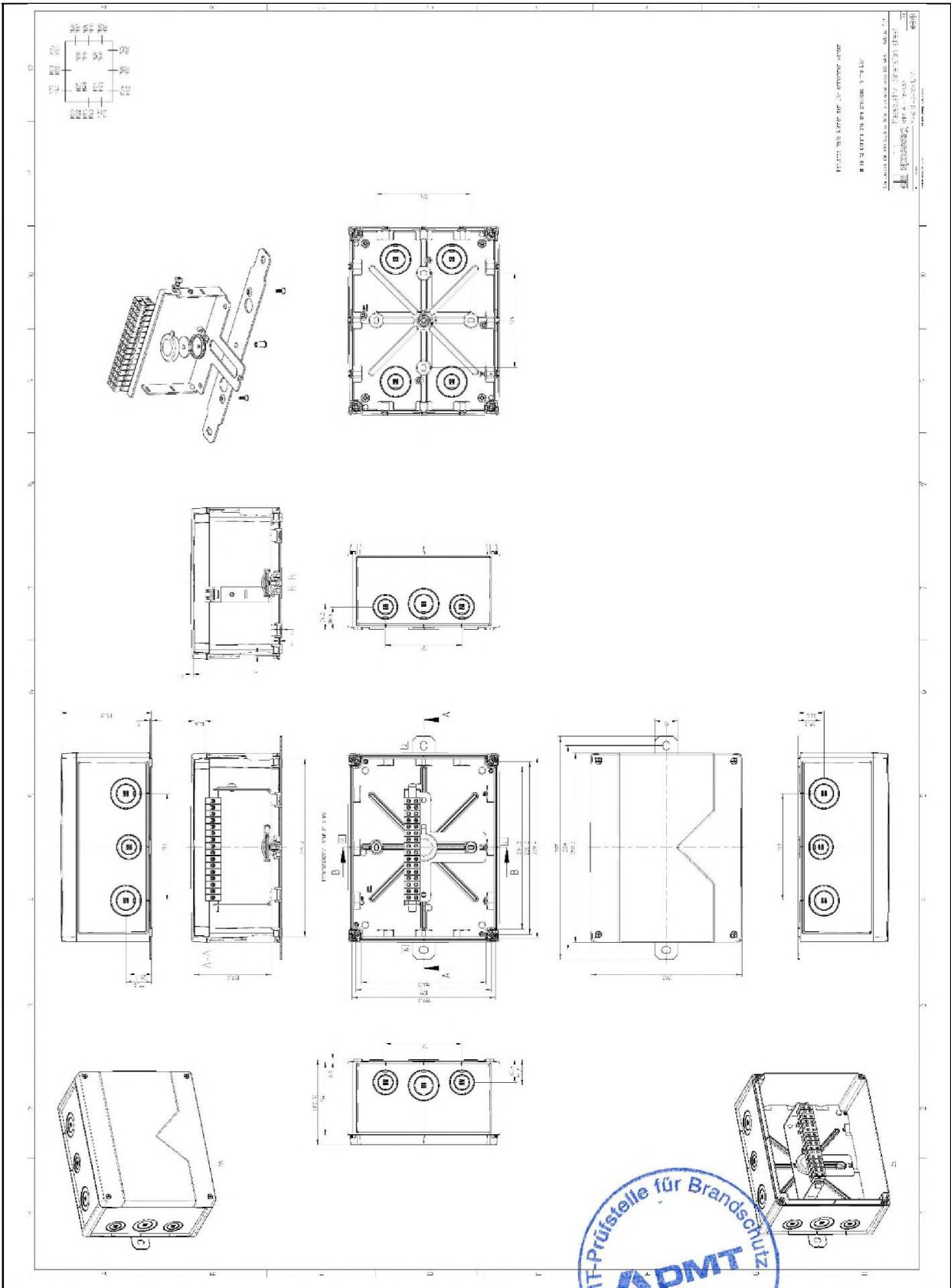
Kabelanlage mit integriertem Funktionserhalt: Abzweigdosen "WKE" der Günther Spelsberg GmbH + Co. KG befestigt an Kabelrinne "RLVC 60.400" der Firma Niedax GmbH & Co. KG, zur Verwendung in Kabelanlagen mit integriertem Funktionserhalt

WKE 4:  
Zeichnung der Abzweigdose „WKE 4“

Anlage 10

zum Allgemeinen bauaufsichtlichen  
Prüfzeugnis P-1042 DMT DO  
vom 03.11.2021





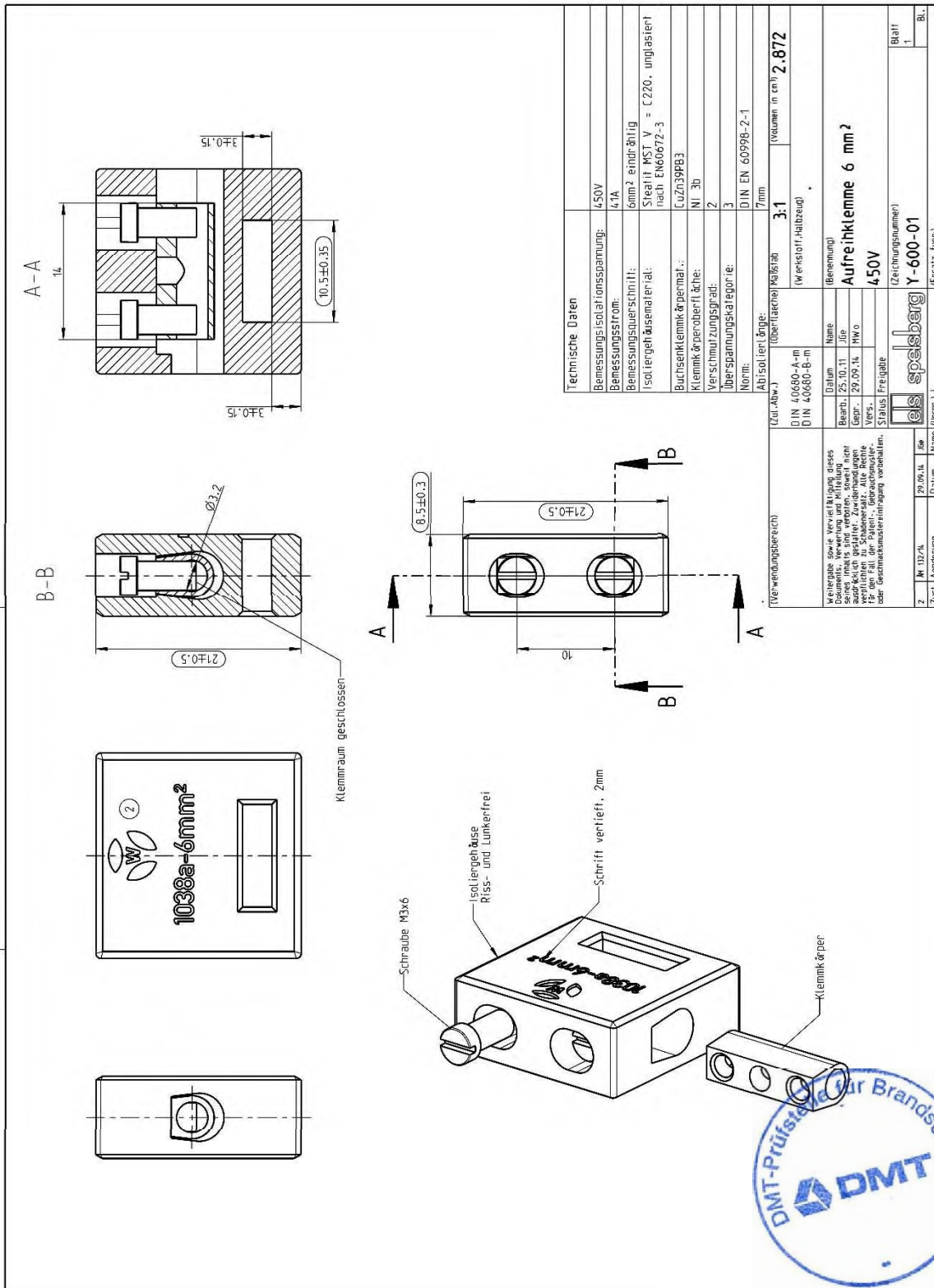
Kabelanlage mit integriertem Funktionserhalt: Abzweigdose "WKE" der Günther Spelsberg GmbH + Co. KG befestigt an Kabelrinne "RLVC 60.400" der Firma Niedax GmbH & Co. KG, zur Verwendung in Kabelanlagen mit integriertem Funktionserhalt

WKE 6:  
Zeichnung der Abzweigdose „WKE 6“



Anlage 11

zum Allgemeinen bauaufsichtlichen  
Prüfzeugnis P-1042 DMT DO  
vom 03.11.2021



Technische Daten	
Bemessungsspannung:	450V
Bemessungsstrom:	4/1A
Bemessungsquerschnitt:	6mm <sup>2</sup> eindrählig
Isoliertgehäusematerial:	Styrolit MST V = C220, unglasert nach EN60672-3
Buchsenklemmkörpermaterial:	CuZn39PB3
Klemmkörperoberfläche:	NI 30
Verstärkungsgrad:	2
Überspannungskategorie:	3
Norm:	DIN EN 60998-2-1
Abisoliertlänge:	7mm
(Zul. Abw.) (oberflächentragend) Polstab:	3:1
(Volumen in cm <sup>3</sup> ) (Werkstoff-Hilfszeug):	2.872
DIN 40680-A-m	
DIN 40680-B-m	
Name	
Aufreihklemme 6 mm <sup>2</sup>	
450V	
Datum	
25.10.11	
Jahr	
29.09.14	
MWO	
Vers.	
Status	
Freigabe	
Zeichnungsnummer	
Y-600-01	
Blatt	
1	
B...	

Verwendungsbereich	
DIN 40680-A-m	
DIN 40680-B-m	
Name	
Aufreihklemme 6 mm <sup>2</sup>	
450V	
Datum	
29.09.14	
Jahr	
29.09.14	
MWO	
Vers.	
Status	
Freigabe	
Zeichnungsnummer	
Y-600-01	
Blatt	
1	
B...	

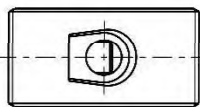
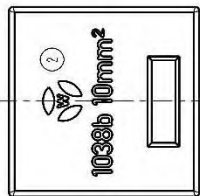
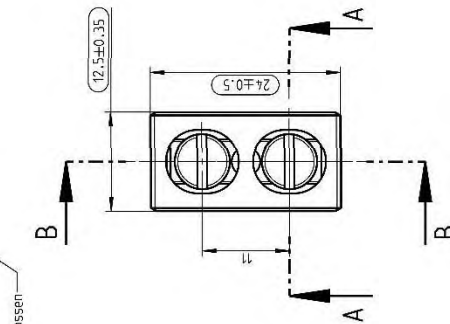
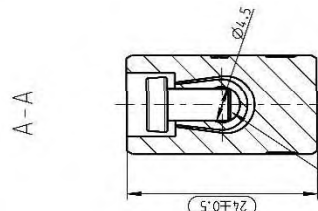
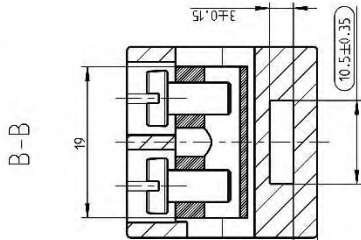
Kabelanlage mit integriertem Funktionserhalt: Abzweigdosen "WKE" der Günther Spelsberg GmbH + Co. KG befestigt an Kabelrinne "RLVC 60.400" der Firma Niedax GmbH & Co. KG, zur Verwendung in Kabelanlagen mit integriertem Funktionserhalt

Einzelklemme 6 mm<sup>2</sup>:  
Zeichnung der Einzelklemme 6 mm<sup>2</sup>

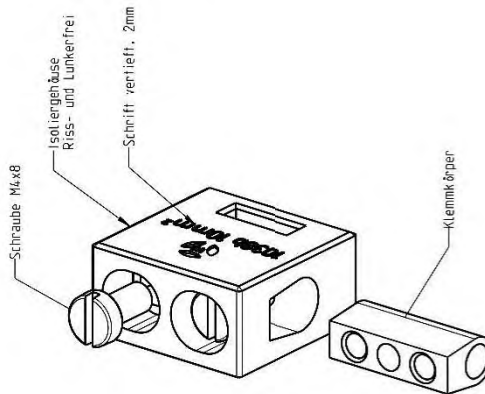


Anlage 12

zum Allgemeinen bauaufsichtlichen  
Prüfzeugnis P-1042 DMT DO  
vom 03.11.2021



Klemmraum geschlossen



Technische Daten	
Bemessungsisolationsspannung:	450V
Bemessungsstrom:	157V
Bemessungsquerschnitt:	10mm <sup>2</sup> eindrählig
Isoliergehäusematerial:	Styrolit MST, V = C220, unglasert nach EN60672-3
Buchsenklemmkörpermaterial:	CuZn39PB3
Klemmkörperberfläche:	NI 30
Verschmutzungsgrad:	2
Überspannungskategorie:	3
Norm:	DIN EN 60998-2-1
Absolutlänge:	10mm
(Zul. Abw.) (oberflächlicher Halzstab):	2:1
(Verwendungsbereich) (Kleinststoff-Haltzeug):	

Wichtige Hinweise	
Die vorliegende sowie Verfertigung dieses Produktes sind durch die geltenden Normen und Vorschriften, soweit nicht ausdrücklich gesondert, zu gewährleisten. Die Verantwortlichkeiten für den Fall der Haftung, Gebrauchsmuster- oder Geschmacksmustereintragung vorbehalten. Status Freigabe	
DIN 40680-A-m	Name
DIN 40680-A-m	Werkstoff
Beard.: 25.10.11	Änderung
Gepr.: 29.09.14	HW 0
Vers.	
Status	Freigabe

Zust./Änderung	
2	Änderung
1	Ursprung

Zust./Änderung	
2	Änderung
1	Ursprung

Zust./Änderung	
2	Änderung
1	Ursprung

Zust./Änderung	
2	Änderung
1	Ursprung

Zust./Änderung	
2	Änderung
1	Ursprung

Zust./Änderung	
2	Änderung
1	Ursprung

Zust./Änderung	
2	Änderung
1	Ursprung

Zust./Änderung	
2	Änderung
1	Ursprung

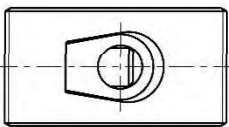
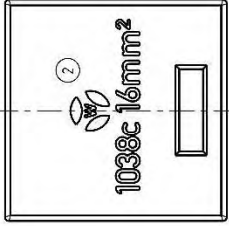
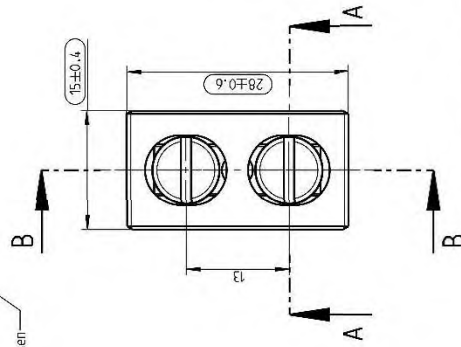
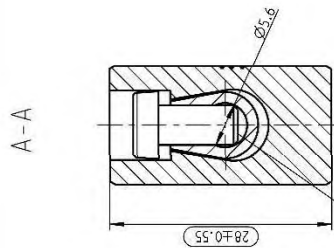
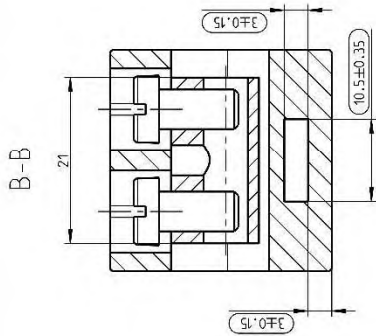
Zust./Änderung	
2	Änderung
1	Ursprung

Kabelanlage mit integriertem Funktionserhalt: Abzweigdosen "WKE" der Günther Spelsberg GmbH + Co. KG befestigt an Kabelrinne "RLVC 60.400" der Firma Niedax GmbH & Co. KG, zur Verwendung in Kabelanlagen mit integriertem Funktionserhalt

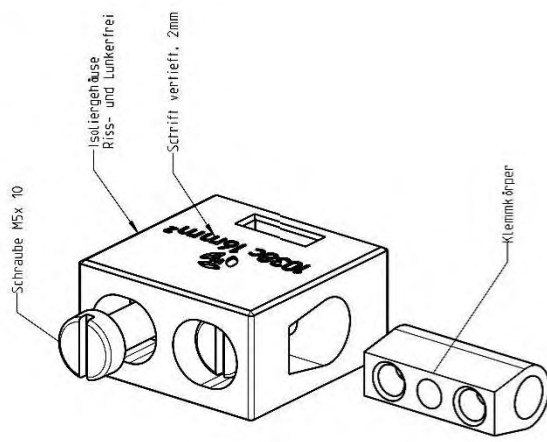
Einzelklemme 10 mm<sup>2</sup>:  
Zeichnung der Einzelklemme 10 mm<sup>2</sup>

  
 Anlage 13  
 zum Allgemeinen bauaufsichtlichen  
 Prüfzeugnis P-1042 DMT DO  
 vom 03.11.2021





Klemmraum geschlossen



Technische Daten	
Bemessungsisolationsspannung:	450V
Bemessungsstrom:	16A
Bemessungsquerschnitt:	16mm² einadrähig
Isolierergänzungsmaterial:	Styrolt MST, V = C220, unglasert Tech. EN60672-3
Buchsenklemmkörpermatr.	CuZn39PB3
Klemmkörperberfl.äche:	Ni 30
Verschmutzungsgrad:	2
Überspannungskategorie:	3
Norm:	DIN EN 60998-2-1
Absolutlänge:	10mm
(Zul./Abw.) (Überspannung) Halbslab:	2:1
(Verwendungsbereich) (Werkstoff, Halbleitung):	
DIN 40680-A-m	
DIN 40680-B-m	
Name	
Bezeichnung	
Datum	
Beard.	25.10.11
Jahr	
Gepr.	29.09.14
MWO	
Verf.	
Status	Freigebe
(Zeichnungsnummer)	
Blatt	1
Bl.	1

Wichtige Hinweise: Verfüllung dieses Produktes ist nicht zulässig, wenn es nicht ausdrücklich gestattet ist. Zweifelsfragen sind dem Hersteller zu stellen. Für den Fall der Patent-, Gebrauchsmuster- oder Geschmacksmarkteintragung vorbehalten. Status Freigebe	
Zust.	Änderung
2	132/4
29.09.14	
Datum	
Name	
(Urspr.)	

(Dateiname) NACH: AUFREHLEMM-WKE-160MM (Dateiname) Zeichnung: AUFREHLEMM-WKE-160MM



Kabelanlage mit integriertem Funktionserhalt: Abzweigdosen "WKE" der Günther Spelsberg GmbH + Co. KG befestigt an Kabelrinne "RLVC 60.400" der Firma Niedax GmbH & Co. KG, zur Verwendung in Kabelanlagen mit integriertem Funktionserhalt

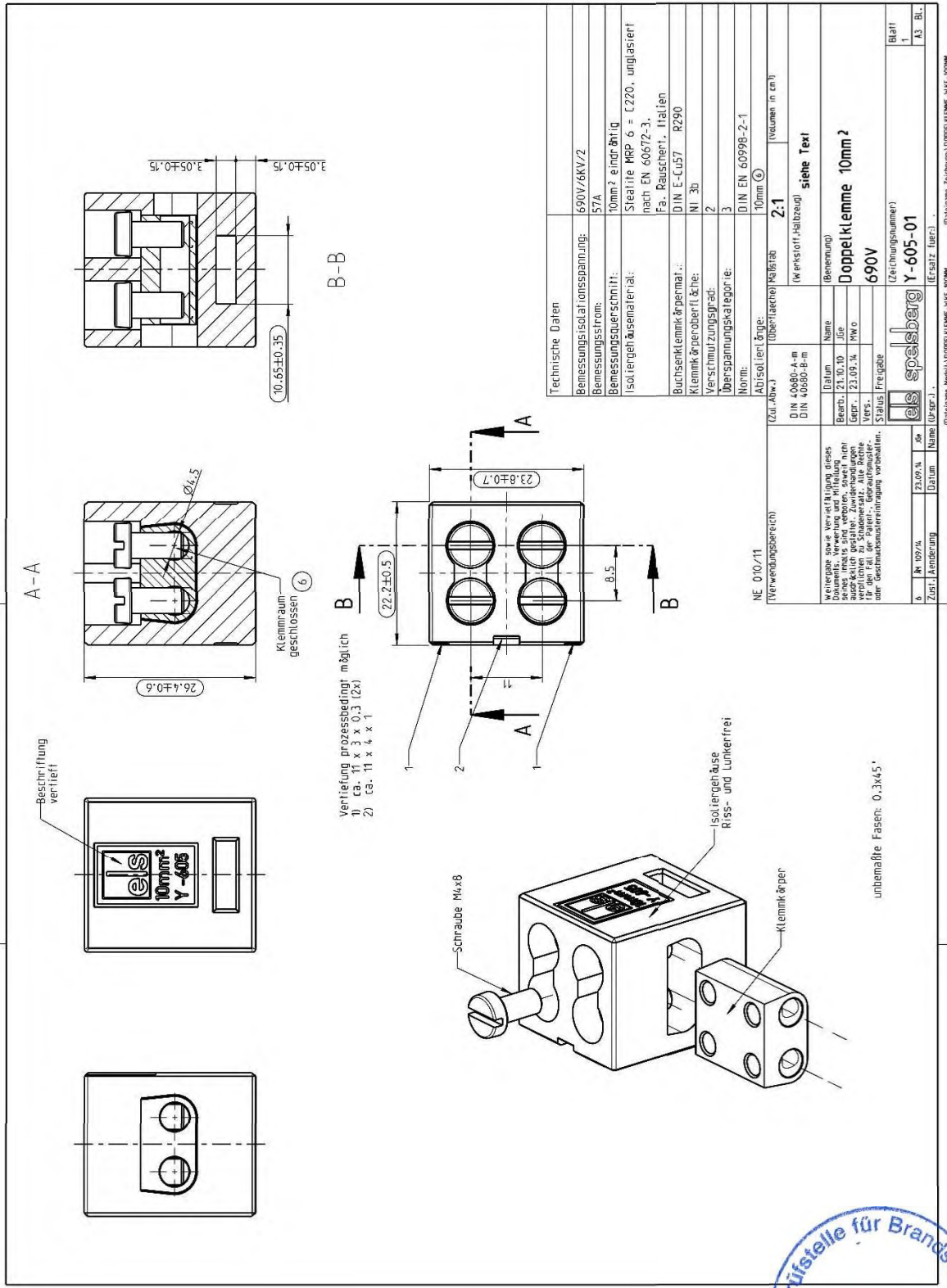
Einzelklemme 16 mm²:  
Zeichnung der Einzelklemme 16 mm²

Anlage 14  
zum Allgemeinen bauaufsichtlichen  
Prüfzeugnis P-1042 DMT DO  
vom 03.11.2021









Technische Daten	
Bemessungsisolationsspannung:	690V/6kV/2
Bemessungsstrom:	57A
Bemessungsquerschnitt:	10mm² einadr. Btlig
Isoliergehäusematerial:	Steatit MRP 6 = C220, unglasiert nach EN 60672-3, Fa., Rauschenf., Italien
Buchsenklemmkörpermaß:	DIN E-Cu57 R290
Klemmkörperoberfläche:	NI 30
Verschmutzungsgrad:	2
Überspannungskategorie:	3
Norm:	DIN EN 60998-2-1
Adaptiert Länge:	10mm (1) (Volumen in cm³)
(Zul. Abw.) (Überspannung) Halbleiter:	2:1
(Verwendungsbereich) (Kunststoff-Haltzeit)	siehe Text
DIN 40680-A-m	
DIN 40680-B-m	
Name	
Datum	
Bearb.	21.10.10
Gepr.	23.09.14
MWO	
Vers.	
Status	Freigelegt
(Benennung)	Doppelklemme 10mm²
(Zählungnummer)	690V
(Ersatz) (Uers.)	Y-605-01
(Blatt)	1
(A3, B1)	

NE 010/11	
(Verwendungsbereich)	
DIN 40680-A-m	
DIN 40680-B-m	
Name	
Datum	
Bearb.	21.10.10
Gepr.	23.09.14
MWO	
Vers.	
Status	Freigelegt
(Benennung)	Doppelklemme 10mm²
(Zählungnummer)	690V
(Ersatz) (Uers.)	Y-605-01
(Blatt)	1
(A3, B1)	

Wichtige Hinweise zur Verwendung dieses Produktes:  
 1) Die Verriegelung dieses Produktes ist nicht ausreichend geschützt. Zweifelhafte Anwendungen sind nicht zulässig.  
 2) Die Verwendung dieses Produktes ist für den Fall der Fälle, Gebrauchsmuster- oder Gebrauchsmusteranmeldung vorbehalten.  
 unbearbeitete Fasern: 0,3x45°



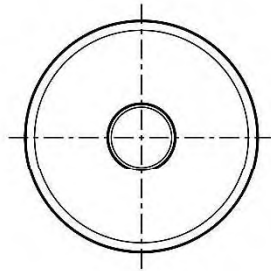
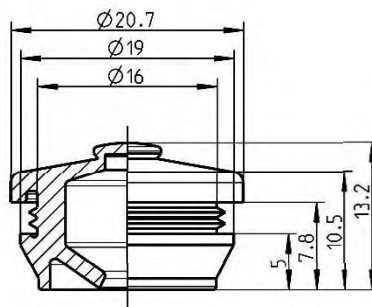
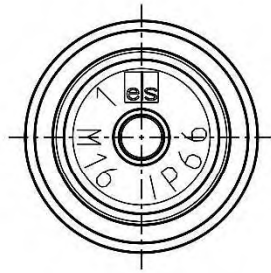
Kabelanlage mit integriertem Funktionserhalt: Abzweigdosen "WKE" der Günther Spelsberg GmbH + Co. KG befestigt an Kabelrinne "RLVC 60.400" der Firma Niedax GmbH & Co. KG, zur Verwendung in Kabelanlagen mit integriertem Funktionserhalt

Doppelklemme 10 mm²:  
 Zeichnung der Doppelklemme 10 mm²

Anlage 16  
 zum Allgemeinen bauaufsichtlichen  
 Prüfzeugnis P-1042 DMT DO  
 vom 03.11.2021





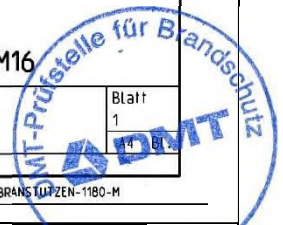


1:1

(Verwendungsbereich)	(Zul. Abw.)	(Oberfläche)	Maßstab	2:1	(Volumen in cm <sup>3</sup> )	1.841
			(Werkstoff, Halbzeug)	TPE		
Weitergabe sowie Vervielfältigung dieses Dokuments, Verwertung und Mitteilung seines Inhalts sind verboten, soweit nicht ausdrücklich gestattet. Zuwiderhandlungen verpflichten zu Schadenersatz. Alle Rechte für den Fall der Patent-, Gebrauchsmuster- oder Geschmacksmustereintragung vorbehalten.		Datum	Name	(Benennung)		
	Bearb.	18.09.13	Konscha	Massblatt		
	Gepr.	18.09.13	JGe	Doppelmembranstutzen M16		
	Vers.			(Zeichnungsnummer)		
	Status	Freigabe		M-260-416-01		
			es spelsberg		Blatt	1
Zust.	Änderung	Datum	Name (Urspr.)	(Ersatz fuer:)		

(Dateiname Modell:) DOPPELMEBRANSTUTZEN-1180-M

(Dateiname Zeichnung:) DOPPELMEBRANSTUTZEN-1180-M



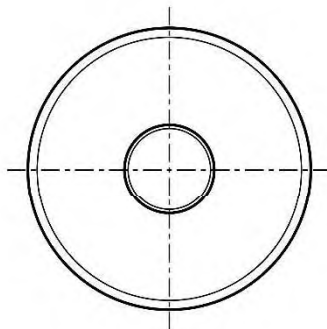
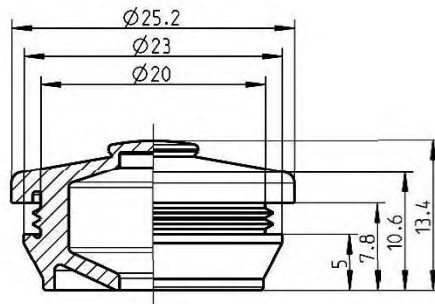
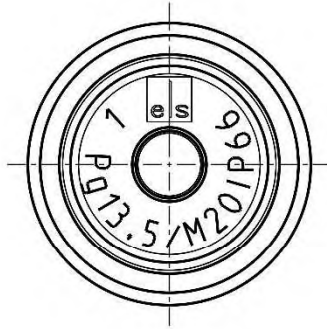
Kabelanlage mit integriertem Funktionserhalt: Abzweigdosen "WKE" der Günther Spelsberg GmbH + Co. KG befestigt an Kabelrinne "RLVC 60.400" der Firma Niedax GmbH & Co. KG, zur Verwendung in Kabelanlagen mit integriertem Funktionserhalt

Doppelmembranstutzen „DMS“:  
Zeichnung des Doppelmembranstutzen M16



Anlage 18

zum Allgemeinen bauaufsichtlichen  
Prüfzeugnis P-1042 DMT DO  
vom 03.11.2021



1:1

(Verwendungsbereich)	(Zul. Abw.)	(Oberfläche)	Maßstab	2:1	(Volumen in cm <sup>3</sup> )	2.582
			(Werkstoff, Halbzeug)	TPE		
Weitergabe sowie Vervielfältigung dieses Dokuments, Verwertung und Mitteilung seines Inhalts sind verboten, soweit nicht ausdrücklich gestattet. Zuwiderhandlungen verpflichten zu Schadenersatz. Alle Rechte für den Fall der Patent-, Gebrauchsmuster- oder Geschmacksmustereintragung vorbehalten.	Bearb.	Datum	Name	(Benennung)		
	18.09.13	18.09.13	Konscha	Massblatt		
	Gepr.	18.09.13	JGe	Doppelmembranstutzen M20		
	Verf.			(Zeichnungsnummer)		
	Status		Freigabe	M-260-420-01		
			es spelsberg		Blatt	
Zust.	Änderung	Datum	Name (Urspr.)	(Ersatz fuer:)		

(Dateiname Modell:) DOPPELMEBRANSTUTZEN-1181-M

(Dateiname Zeichnung:) DOPPELMEBRANSTUTZEN-1181-M

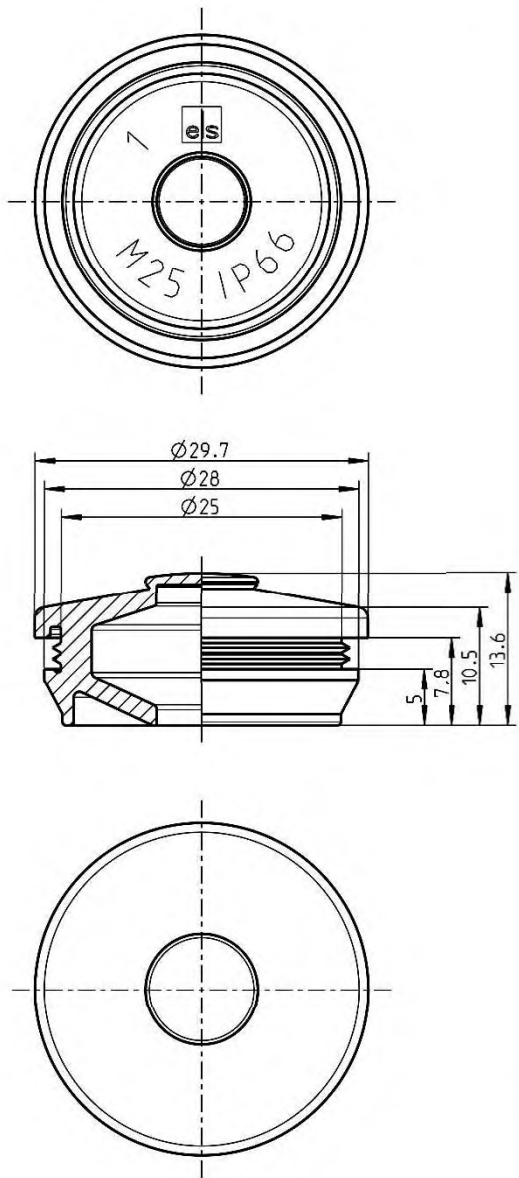
Kabelanlage mit integriertem Funktionserhalt: Abzweigdosen "WKE" der Günther Spelsberg GmbH + Co. KG befestigt an Kabelrinne "RLVC 60.400" der Firma Niedax GmbH & Co. KG, zur Verwendung in Kabelanlagen mit integriertem Funktionserhalt

Doppelmembranstutzen „DMS“:  
Zeichnung des Doppelmembranstutzen M20



Anlage 19

zum Allgemeinen bauaufsichtlichen  
Prüfzeugnis P-1042 DMT DO  
vom 03.11.2021



1:1

(Verwendungsbereich)	(Zul. Abw.)	(Oberfläche)	Maßstab	2:1	(Volumen in cm <sup>3</sup> )	3.674
			(Werkstoff, Halbzeug)	TPE		
Weitergabe sowie Vervielfältigung dieses Dokuments, Verwertung und Mitteilung seines Inhalts sind verboten, soweit nicht ausdrücklich gestattet. Zuwiderhandlungen verpflichten zu Schadenersatz. Alle Rechte für den Fall der Patent-, Gebrauchsmuster- oder Geschmacksmustereintragung vorbehalten.	Bearb.	Datum	Name	(Benennung)		
	18.09.13	18.09.13	Konscha	Massblatt		
	Gepr.	18.09.13	JGé	Doppelmembranstutzen M25		
	Vers.			(Zeichnungsnummer)		
Status	Freigabe		M-260-425-01		Blatt	
es spelsberg					1	
Zust.	Änderung	Datum	Name (Urspr.)	(Ersatz fuer:)		

(Dateiname Modell) DOPPELMEBRANSTUTZEN-1182-M

(Dateiname Zeichnung) DOPPELMEBRANSTUTZEN-1182-M

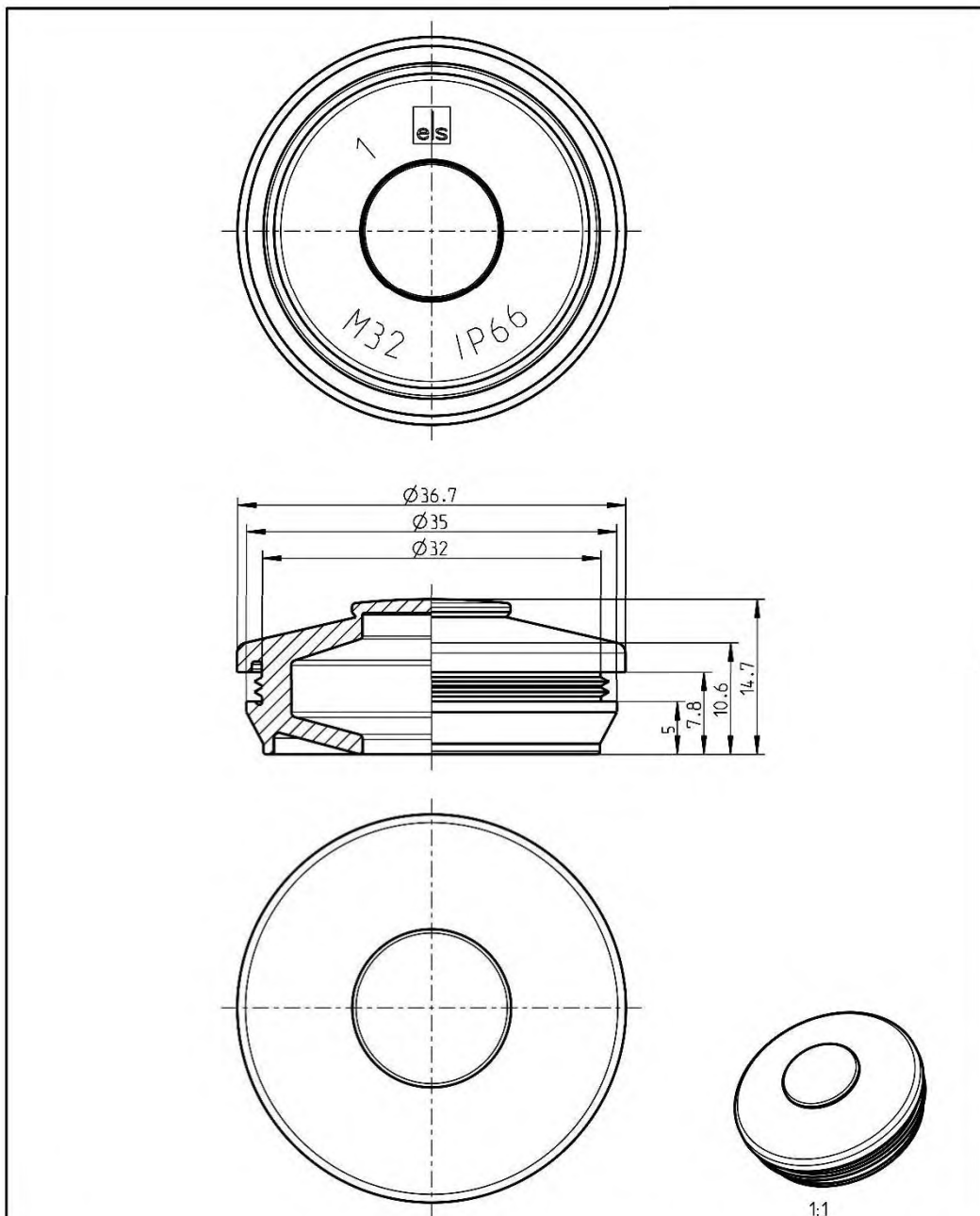
Kabelanlage mit integriertem Funktionserhalt: Abzweigdosen "WKE" der Günther Spelsberg GmbH + Co. KG befestigt an Kabelrinne "RLVC 60.400" der Firma Niedax GmbH & Co. KG, zur Verwendung in Kabelanlagen mit integriertem Funktionserhalt

Doppelmembranstutzen „DMS“:  
Zeichnung des Doppelmembranstutzen M25



Anlage 20

zum Allgemeinen bauaufsichtlichen  
Prüfzeugnis P-1042 DMT DO  
vom 03.11.2021



(Verwendungsbereich)	(Zul. Abw.)	(Oberflaeche)	Maßstab 2:1	(Volumen in cm <sup>3</sup> ) 5.625
			(Werkstoff, Halbzeug) TPE	
Weitergabe sowie Vervielfältigung dieses Dokuments, Verwertung und Mitteilung seines Inhalts sind verboten, soweit nicht ausdrücklich gestattet. Zuwiderhandlungen verpflichten zu Schadenersatz. Alle Rechte für den Fall der Patent-, Gebrauchsmuster- oder Geschmacksmustereintragung vorbehalten.	Bearb.	Datum	Name	(Benennung)
	Gepr.	18.09.13	Konscha	Massblatt
	Vers.	18.09.13	JGe	Doppelmembranstutzen M32
	Status	Freigabe		
es spelsberg			(Zeichnungsnummer)	Blatt
			M-260-432-01	A4 BL
Zust.	Aenderung	Datum	Name (Urspr.)	(Ersatz fuer:)

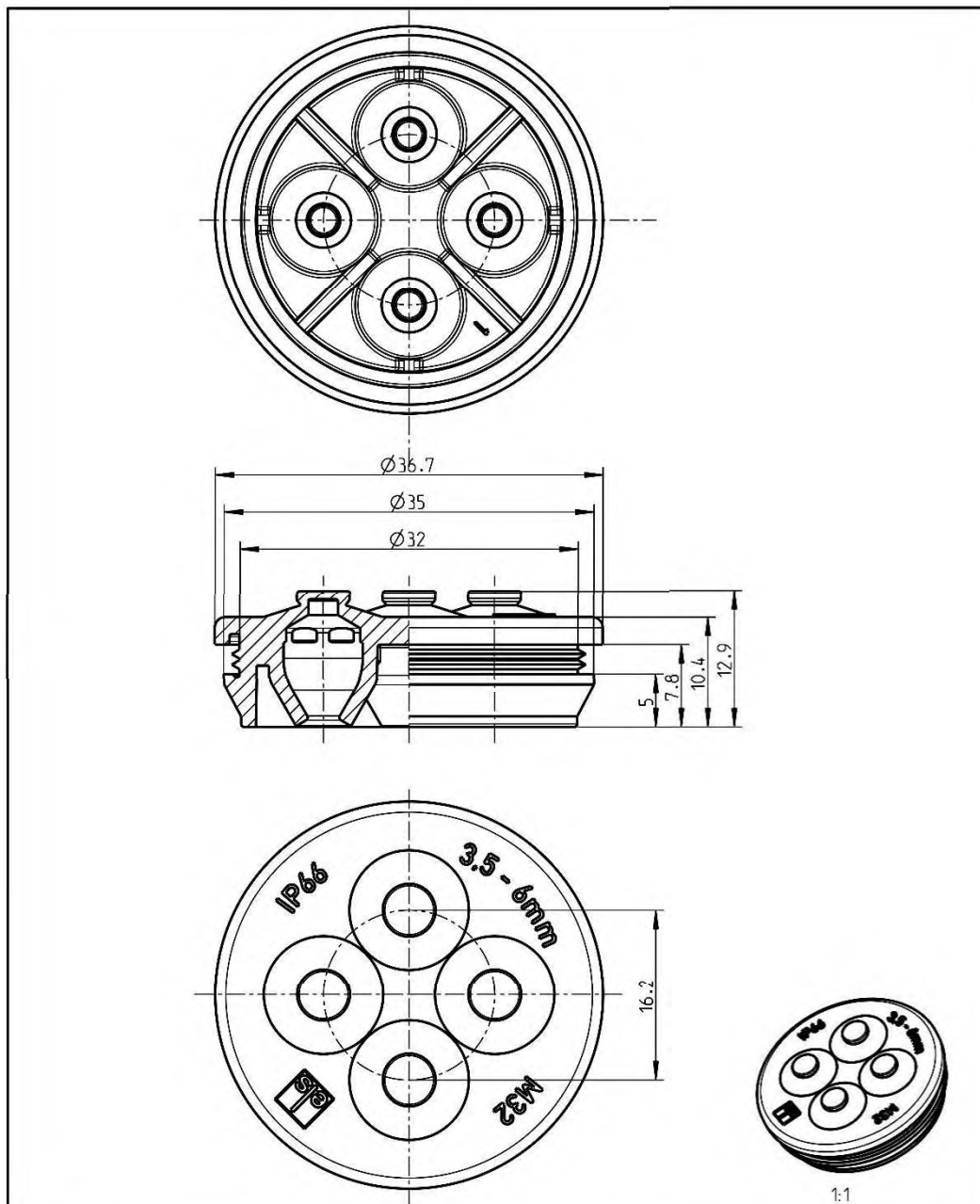
(Dateiname Modell:) DOPPELMEBRANSTUTZEN-1183-M (Dateiname Zeichnung:) DOPPELMEBRANSTUTZEN-1183-M



Kabelanlage mit integriertem Funktionserhalt: Abzweigdosen "WKE" der Günther Spelsberg GmbH + Co. KG befestigt an Kabelrinne "RLVC 60.400" der Firma Niedax GmbH & Co. KG, zur Verwendung in Kabelanlagen mit integriertem Funktionserhalt

Doppelmembranstutzen „DMS“:  
Zeichnung des Doppelmembranstutzen M32

**DMT**  
Anlage 21  
zum Allgemeinen bauaufsichtlichen  
Prüfzeugnis P-1042 DMT DO  
vom 03.11.2021

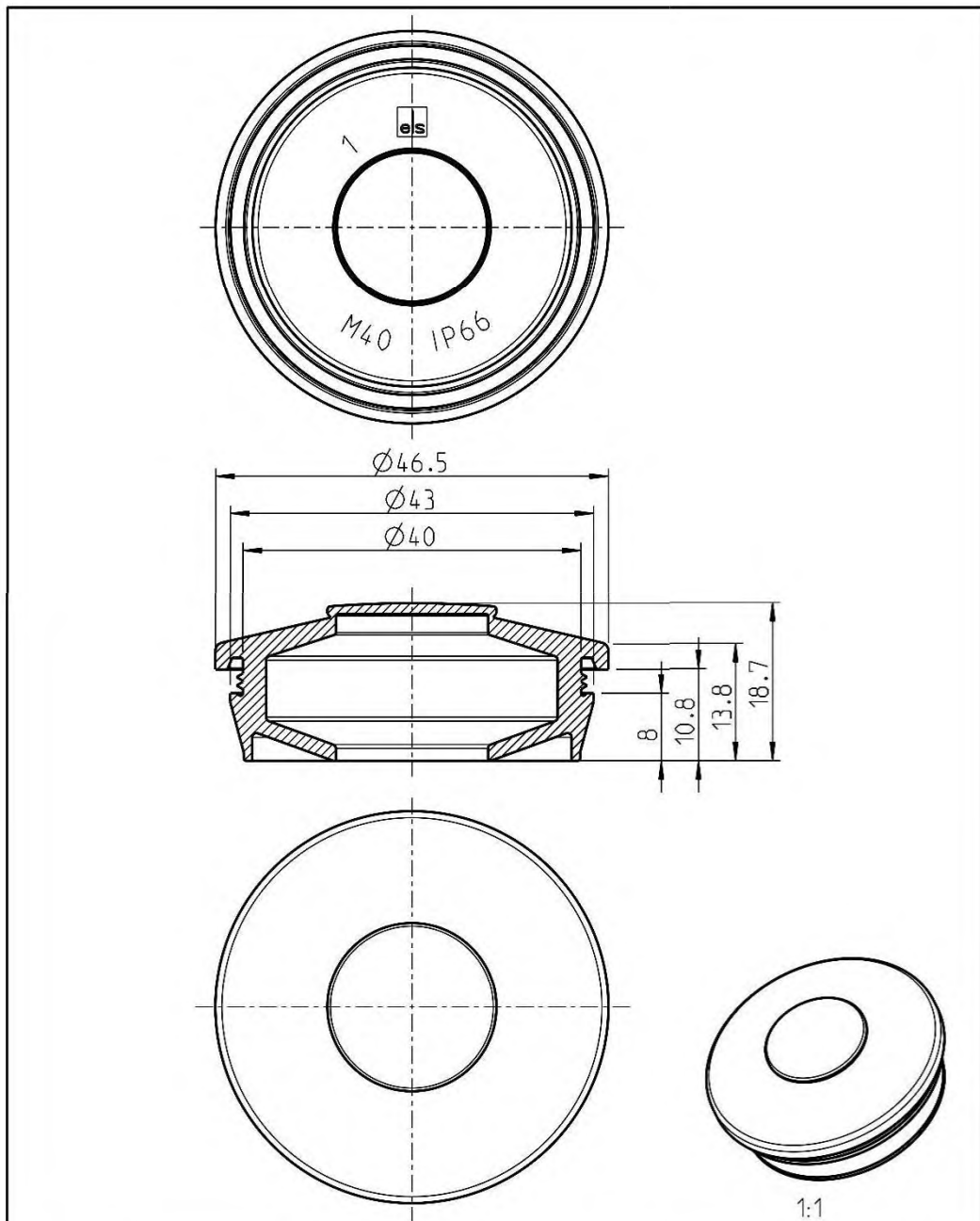


NE 021/09										
(Verwendungsbereich)		(Zul. Abw.)	(Oberflaeche)	Maßstab	2:1	(Volumen in cm <sup>3</sup> )		5.509		
				(Werkstoff, Halbzeug)		TPE				
Weitergabe sowie Vervielfältigung dieses Dokuments, Verwertung und Mitteilung seines Inhalts sind verboten, soweit nicht ausdrücklich gestattet. Zuwiderhandlungen verpflichten zu Schadenersatz. Alle Rechte für den Fall der Patent-, Gebrauchsmuster- oder Geschmacksmustereintragung vorbehalten.		Datum	Name	(Benennung)						
		Bearb.	06.04.09	DHa	<b>Massblatt DMS-M32</b>					
		Gepr.	07.04.09	W Ge	<b>4-fach fuer Steuerteilungen</b>					
		Vers.								
		Status	Freigabe			(Zeichnungsnummer)				
						<b>M-260-433-01</b>				
Zust.	Aenderung	Datum	Name (Urspr.)	(Ersatz fuer:)						
(Dateiname Modell:) M-260-433-01				(Dateiname Zeichnung) M-260-433-01						

Kabelanlage mit integriertem Funktionserhalt: Abzweigdosen "WKE" der Günther Spelsberg GmbH + Co. KG befestigt an Kabelrinne "RLVC 60.400" der Firma Niedax GmbH & Co. KG, zur Verwendung in Kabelanlagen mit integriertem Funktionserhalt

Doppelmembranstützen „DMS“:  
Zeichnung des Doppelmembranstützen 4-fach DMS-M32

Anlage 22  
zum Allgemeinen bauaufsichtlichen Prüfzeugnis P-1042 DMT DO vom 03.11.2021



(Verwendungsbereich)	(Zul. Abw.)	(Oberfläche)	Maßstab	8:5	(Volumen in cm <sup>3</sup> )	9.584
			(Werkstoff, Halbzeug)	TPE		
Weitergabe sowie Vervielfältigung dieses Dokuments, Verwertung und Mitteilung seines Inhalts sind verboten, soweit nicht ausdrücklich gestattet. Zuwiderhandlungen verpflichten zu Schadenersatz. Alle Rechte für den Fall der Patent-, Gebrauchsmuster- oder Geschmacksmustereintragung vorbehalten.	Bearb.	Datum	Name	(Benennung)		
	Gepr.	18.05.15	DHa	Maßblatt		
	Vers.			Doppelmembranstützen M40		
	Status	Freigabe				
			es spelsberg		(Zeichnungsnummer)	Blatt
					M-260-440-01	1
Zust.	Aenderung	Datum	Name (Urspr.)	(Ersatz fuer:)		A4 Bl.

(Dateiname Modell:) DMS\_M40\_M-260-440-01

(Dateiname Zeichnung:) DMS\_M40\_M-260-440-01

Kabelanlage mit integriertem Funktionserhalt: Abzweigdosen "WKE" der Günther Spelsberg GmbH + Co. KG befestigt an Kabelrinne "RLVC 60.400" der Firma Niedax GmbH & Co. KG, zur Verwendung in Kabelanlagen mit integriertem Funktionserhalt

Doppelmembranstützen „DMS“:  
Zeichnung des Doppelmembranstützen DMS-40

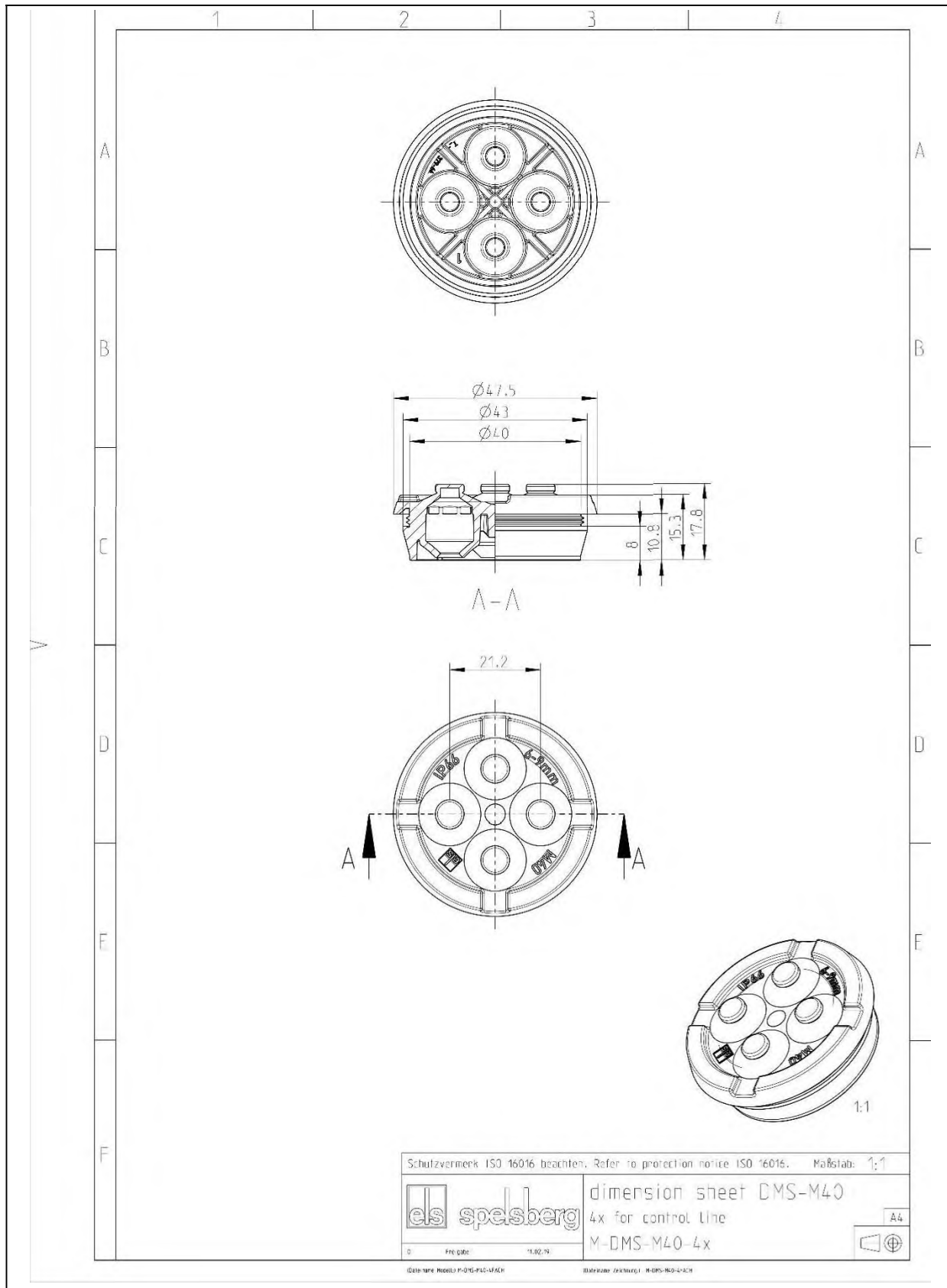


Anlage 23

zum Allgemeinen bauaufsichtlichen  
Prüfzeugnis P-1042 DMT DO  
vom 03.11.2021







Kabelanlage mit integriertem Funktionserhalt: Abzweigdosen "WKE" der Günther Spelsberg GmbH + Co. KG befestigt an Kabelrinne "RLVC 60.400" der Firma Niedax GmbH & Co. KG, zur Verwendung in Kabelanlagen mit integriertem Funktionserhalt

Doppelmembranstützen „DMS“:  
Zeichnung des Doppelmembranstützen 4-fach DMS-40

**DMT**

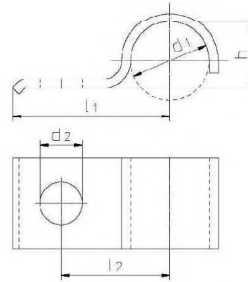
Anlage 24

zum Allgemeinen bauaufsichtlichen  
Prüfzeugnis P-1042 DMT DO  
vom 03.11.2021



## Rohrschellen RS...

DIN 1596



d <sub>1</sub>	für Rohr- oder Kabel-Außendurchmesser	d <sub>2</sub>	h	l <sub>1</sub>	l <sub>2</sub>	Materialstärke	Befestigungsschraube	100 Stück ~ kg
7	5,5 - 7	6,6	5	26	14	16 × 2	M6	0,7
9	7 - 9		6	28	16			0,8
13	9,5 - 13		9	30	18			1,3
15,5	13 - 15,5		12	32	20			1,5
19	15,5 - 19	9	15	34	22	25 × 3	M8	1,8
23	20 - 23		19	43	28			4,2
26	23 - 26		22	44	29			4,6
28,5	26 - 28,5		24	47	32			5
31	28,5 - 31	11	27	47	32	30 × 3	M10	5,5
33	31 - 33		29	56	36			6,6
36	33 - 36		32	57	40			7,8
39	36 - 39		34	59	42			8,2
43	39 - 43	14	38	61	44	40 × 4	M12	9
46	43 - 46		41	62	45			9,5
49	46 - 49		44	67	48			18,1
52	49 - 52		47	72	53			19,4
58	53 - 58	14	52	74	55	40 × 4	M12	21,3
61	58 - 61		56	77	58			22,5

Bezeichnung:	DIN 1596
Durchmesser (mm):	7, 9, 13, 15.5, 19, 23, 26, 28.5, 31, 33, 36, 39, 43, 46, 49, 52, 58, 61
Befestigungsloch:	6.6 mm (M6), 9.0 mm (M8), 11.0 mm (M10), 14.0 mm (M12)
Materialstärke (mm):	16x2, 20x2, 25x3, 30x3, 40x4
Material:	Edelstahl V2A (1.4301), galvanisch verzinkt (zn), Stahl blank (S235 JR)

Kabelanlage mit integriertem Funktionserhalt: Abzweigdosen "WKE" der Günther Spelsberg GmbH + Co. KG befestigt an Kabelrinne "RLVC 60.400" der Firma Niedax GmbH & Co. KG, zur Verwendung in Kabelanlagen mit integriertem Funktionserhalt

einschalige Rohrschellen RS

 **DMT**

Anlage 25

zum Allgemeinen bauaufsichtlichen  
Prüfzeugnis P-1042 DMT DO  
vom 03.11.2021



[A large diagonal line is drawn across the page, likely indicating a redaction or a placeholder for content.]

I, Andrea Schmengler, a duly sworn interpreter and certified translator of the English language, do hereby certify that the above and foregoing is a true and correct translation from the German into the English language of the document submitted to me.

The submitted source text is attached to the translation.

Witness my hand and seal in Magdeburg, Germany, on this 29th day of March 2023.

(Andrea Schmengler)

The registration data can be verified via the following website:  
<https://www.justiz-dolmetscher.de/Recherche/de/Suchen>

