

Panel mounting appliance inlet - with hinged cover



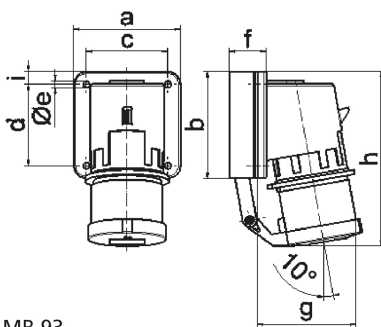
Product description	
BALS-Prd.-Nr	26052
EAN	4024941260527
Product category	TE surface mounting appliance inlet Quick-Connect
Current	16A
Number of poles	5p
Poles	3p+N+PE
Position of earth contact	6 h
Voltage	200/346 up to 240/415V
Frequency	50 and 60Hz

Product description	
Protection degree	IP44
Colour code	red RAL 3000
Colour of appliance	Hinged lid grey RAL 7035, Collar red RAL 3000, Enclosure grey RAL 7035
Connection design	screwless spring-clamp technology
Maximum conductor size	2,5 qmm
Cable entry	other
Height	138mm
Width	84mm
Depth	105mm
Flange size vertical	84mm
Flange size horizontal	84mm
Drill hole distance vertical	64mm
Drill hole distance horizontal	64mm
Material of enclosure	Polyamide
Contact	The contact carrier is made of high temperature resistant material, the contacts are brass nickel plated

Additional technical properties	
	With hinged lid

Logistics data	
Weight/pcs	0.263 kg / Piece

Logistics data	
Packaging	Bag
Content amount	1 ST
EAN	4024941260527
Length	105 mm
Width	84 mm
Height	138 mm
Weight	0.264 kg
Volume	1,217.16 ccm
Packaging	Carton
Content amount	10 ST
EAN	4024941832991
Length	325 mm
Width	217 mm
Height	210 mm
Weight	2.836 kg
Volume	13,588.4 ccm



5 MB 93

Ampere Polzahl	16	32				
a	84,0	90,0				
b	84,0	75,0				
c	64,0	78,0				
d	64,0	45,0				
e ø	5,5	5,5				
f	29,0	29,0				
g	105,0	115,0				
h	138,0	150,0				
i	10,0	13,0				
Leiter mm ² min	1	2,5				
Leiter mm ² max	2,5	6				