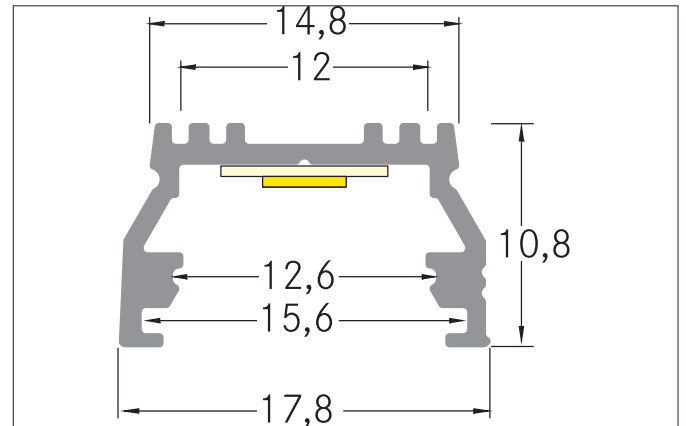


**P03-12 Surface-mounted profile**

Article no. 53601260

Light.  
For Generations.**Tender**

Surface-mounted profile, alu. For optimal attachment of the profile this holders are suitable 53001000. With the use of profile covers 53400000 53400070 53400080 53431070 the additional mechanical protection and optimal light distribution can be achieved. The associated end cap set is under 5305226053053260 available. Additionally the corner connector 53067260 can easily be used to create a 90 ° angle. for Mounting method: Mounting profile. Material: Aluminium, dimensions profile: length: 2.000 mm x width: 17,8 mm x height: 10,8 mm .

**Product Benefits**

- Medium height surface mounted profile.
  - Up to 4 meters length in one piece.
- (For deliveries beyond 2000 mm: please ask for delivery costs separately).
- Very extensive accessories.
  - Connecting piece 90° for rectangular applications.
  - Semi-circular cover for a wide light emission.

Article data	
Article no.	53601260
GTIN	4251433912019
Series name	P03-12
Short description	Surface-mounted profile
Material	Aluminium
Colour	Alu
Length	2,000 mm
Width	17.8 mm
Hight	10.8 mm
Weight	0.240 kg

**P03-12 Surface-mounted profile**

Article no. 53601260

Light.  
For Generations.

Packing data	
Gross weight	0.65 kg
Length of packaging	2,020 mm
Packaging width	45 mm
Packaging height	45 mm
Note	Please note that the materials aluminium and PMMA or PC can expand differently with changes in temperature! At a temperature change of 10°C, the coefficient of expansion is approx. aluminium is approx. 0.7mm per metre, for plastic approx. 1.5mm per metre. This is not a defect in the product, this is a normal physical process.
Disposal at end of life	This product must not be disposed of with household waste. You are obliged, to dispose of such electrical waste separately. By disposing of electrical waste and other old or defective electronics separately, you support recycling or other forms of re-use. In that way you help to take care and to avoid that harmful substances get into the environment.