

Panel mounting socket outlet, straight - flange 75x75, fixing centers 60x60

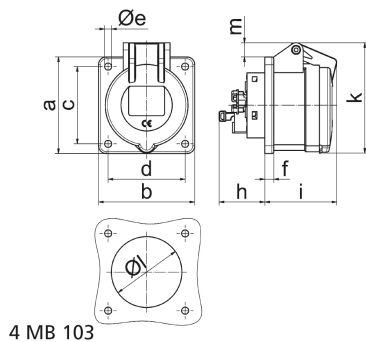


| Product description | |
|---------------------------|---|
| BALS-Prd.-Nr | 130277 |
| EAN | 4024941938969 |
| Product category | TE panel mounting socket outlet Quick-Connect, straight |
| Current | 16A |
| Number of poles | 3p |
| Poles | 2P+PE |
| Position of earth contact | 1 h |

| Product description | |
|--------------------------------|---|
| Voltage | >50V for all other not classified voltages and/or frequencies. This time position can additionally process in special applications, in which a distinction to standardized positions needed to be used. |
| Protection degree | IP44 |
| Colour code | gray RAL 7035 |
| Colour of appliance | Hinged lid grey RAL 7035, Enclosure grey RAL 7035 |
| Connection design | screwless spring terminals as cage clamp with Kontex-contact |
| Maximum conductor size | 4,0 qmm |
| Cable entry | other |
| Height | 78.5mm |
| Width | 75mm |
| Depth | 88mm |
| Flange size vertical | 75mm |
| Flange size horizontal | 75mm |
| Drill hole distance vertical | 60mm |
| Drill hole distance horizontal | 60mm |
| Material of enclosure | Polyamide |
| Contact | The contact carrier is made of high temperature resistant material, the contacts are brass nickel plated |

| Logistics data | |
|----------------|------------------|
| Weight/pcs | 0.114 kg / Piece |

| Logistics data | |
|----------------|---------------|
| Packaging | Bag |
| Content amount | 1 ST |
| EAN | 4024941938969 |
| Length | 88 mm |
| Width | 75 mm |
| Height | 78.5 mm |
| Weight | 0.115 kg |
| Volume | 518.1 ccm |
| Packaging | Carton |
| Content amount | 10 ST |
| EAN | 4024941836128 |
| Length | 275 mm |
| Width | 175 mm |
| Height | 137 mm |
| Weight | 1.265 kg |
| Volume | 5,737.5 ccm |



| Ampere Polzahl | 16 3 | 16 4 | 16 5 | 32 3 | 32 4 | 32 5 |
|----------------------------|---------|---------|---------|---------|---------|---------|
| a | 75,0 | 75,0 | 75,0 | 75,0 | 75,0 | 75,0 |
| b | 75,0 | 75,0 | 75,0 | 75,0 | 75,0 | 75,0 |
| c | 60,0 | 60,0 | 60,0 | 60,0 | 60,0 | 60,0 |
| d | 60,0 | 60,0 | 60,0 | 60,0 | 60,0 | 60,0 |
| e ø | 5,5 | 5,5 | 5,5 | 5,5 | 5,5 | 5,5 |
| f | 7,0 | 7,0 | 7,0 | 8,0 | 8,0 | 8,0 |
| h | 35,5 | 35,5 | 35,5 | 50,0 | 50,0 | 50,0 |
| i | 52,0 | 53,0 | 57,0 | 65,0 | 65,0 | 66,0 |
| k | 71,5 | 80,0 | 86,0 | 91,0 | 91,0 | 99,0 |
| l ø | 45,0 | 45,0 | 55,0 | 60,0 | 60,0 | 60,0 |
| m | 3,5 | 7,0 | 11,5 | 12,0 | 12,0 | 17,0 |
| Leiter mm ² min | 1,5 | 1,5 | 1,5 | 2,5 | 2,5 | 2,5 |
| Leiter mm ² max | 4 | 4 | 4 | 10 | 10 | 10 |