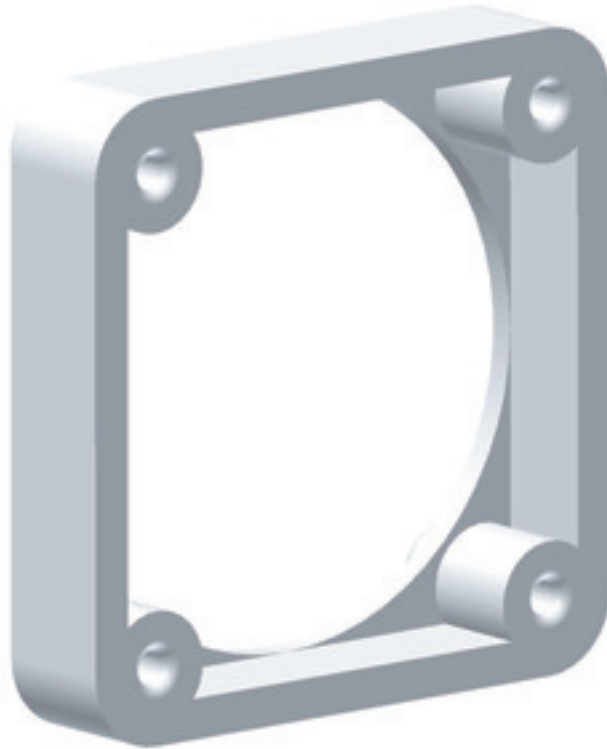


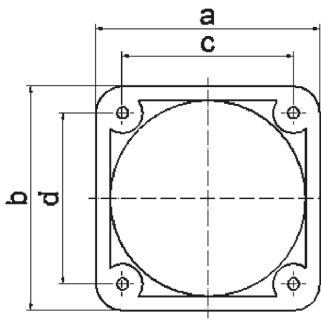
Accessories sockets - 44x44



Product description	
BALS-Prd.-Nr	1847
EAN	4024941018470
product category (PG)	Mounting frame
colour code 1 (KF1)	gray RAL 7035
Height	54mm
Width	54mm
Depth	10mm
Drill hole distance vertical	44mm
Drill hole distance horizontal	44mm

Product description	
material of enclosure (GM)	Polyamide

Logistics data	
Weight/pcs	0.015 kg / Piece
Packaging	Bag
Content amount	1 ST
EAN	4024941018470
Length	10 mm
Width	54 mm
Height	54 mm
Weight	0.016 kg
Volume	29.16 ccm
Packaging	Carton
Content amount	100 ST
EAN	4024941326957
Length	275 mm
Width	175 mm
Height	137 mm
Weight	1.625 kg
Volume	5,737.5 ccm



30 MB 182

a	b	c	d	e	Bestell-Nr.
50	50	38	38	13	1843
54	54	44	44	10	1847
57	66	47	47	10	1848
60	60	50	50	10	1849
62	62	52	52	10	1850
62	70	52	60	10	1851