

Plug TN - with cable gland, with closure cap

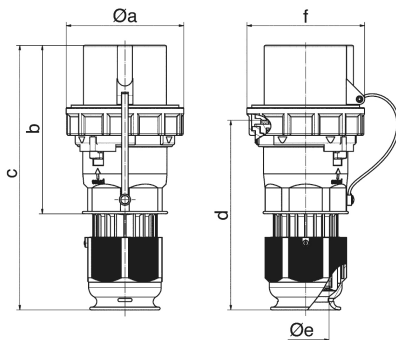
| Product description | |
|---------------------------|---|
| BALS-Prd.-Nr | 210263 |
| EAN | 4024941100656 |
| Product category | TN plug |
| Current | 63A |
| Number of poles | 4p |
| Poles | 3P+PE |
| Position of earth contact | 6 h |
| Voltage | 380 up to 415V |
| Frequency | 50 and 60Hz |
| VG-Type-No.: | VG 96919 CP 028 |
| Protection degree | IP67 |
| Colour code | bronze-green RAL 6031-F9 |
| Colour of appliance | Pusher black RAL 9005, Cable gland bronze-green RAL 6031-F9, Bayonet ring bronze-green RAL 6031-F9, Housing cover bronze-green RAL 6031-F9, Collar bronze-green RAL 6031-F9 |
| Connection design | screw terminal as box terminal |
| Maximum conductor size | 16,0 qmm |
| Cable entry | Cable gland |
| Height | 244mm |
| Width | 113.5mm |

| Product description | |
|-----------------------|--|
| Depth | 115mm |
| Material of enclosure | Polyamide |
| Contact | The contact carrier is made of high temperature resistant material, the contacts are brass nickel plated |

| Additional technical properties | |
|---------------------------------|--|
| | For cable diameter from 16 up to max. 36 mm, Multi-Grip cable gland with gasket, integrated cable clamp and additional water evacuation openings |
| | With closure cap |

| Logistics data | |
|----------------|------------------|
| Weight/pcs | 0.755 kg / Piece |
| Packaging | Bag |
| Content amount | 1 ST |
| EAN | 4024941100656 |
| Length | 115 mm |
| Width | 113.5 mm |
| Height | 244 mm |
| Weight | 0.756 kg |
| Volume | 3,184.81 ccm |
| Packaging | Carton |
| Content amount | 5 ST |

| Logistics data | |
|----------------|---------------|
| EAN | 4024941839136 |
| Length | 325 mm |
| Width | 217 mm |
| Height | 210 mm |
| Weight | 3.981 kg |
| Volume | 13,588.4 ccm |



2 MB 107

| Ampere | 63 | 63 | 63 | 125 | 125 | 125 |
|----------------------------|-------|-------|-------|-------|-------|-------|
| Polzahl | 3 | 4 | 5 | 3 | 4 | 5 |
| a ø | 113,5 | 113,5 | 113,5 | 126,0 | 126,0 | 126,0 |
| b | 169,0 | 169,0 | 169,0 | 185,0 | 185,0 | 185,0 |
| c | 250,0 | 250,0 | 250,0 | 286,0 | 286,0 | 286,0 |
| d | 177,0 | 177,0 | 177,0 | 206,0 | 206,0 | 206,0 |
| e ø | 36,0 | 36,0 | 36,0 | 50,0 | 50,0 | 50,0 |
| f | 112,5 | 112,5 | 112,5 | 125,0 | 125,0 | 125,0 |
| Leiter mm ² min | 6,0 | 6,0 | 6,0 | 16,0 | 16,0 | 16,0 |
| Leiter mm ² max | 25,0 | 25,0 | 25,0 | 50,0 | 50,0 | 50,0 |
| | | | | | | |
| | | | | | | |
| | | | | | | |