

## Product Declaration Certificate

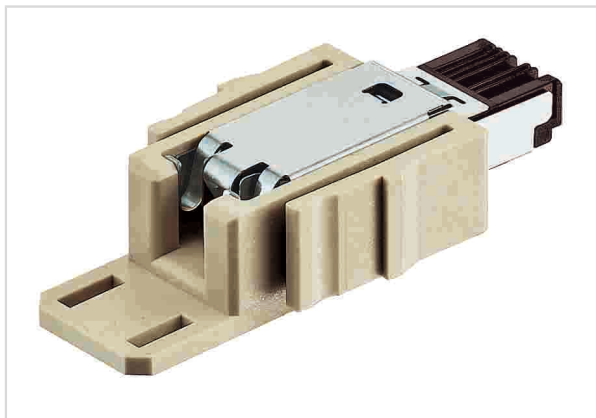


Image is for illustration purposes only. Please refer to product description.

|                    |   |
|--------------------|---|
| Part number        | 09 45 400 1100  |
| Specification      | Han-Modular RJ45 Cat5 plug 4p IDC   |
| HARTING eCatalogue | <a href="https://b2b.harting.com/09454001100">https://b2b.harting.com/09454001100</a> |

|                                      |               |
|--------------------------------------|---------------|
| RoHS                                 | compliant     |
| ELV status                           | compliant     |
| China RoHS                           | e             |
| REACH Annex XVII substances          | Not contained |
| REACH ANNEX XIV substances           | Not contained |
| REACH SVHC substances                | Not contained |
| California Proposition 65 substances | Yes           |
| California Proposition 65 substances | Nickel        |

RoHS: Directive 2011/65/EU with all amending directives and regulations in force at the declaration's creation date.  
ELV status: Directive 2000/53/EC with all amending directives and regulations in force at the declaration's creation date.

REACH ANNEX: Regulation (EU) No. 1907/2006 with all amending directives and regulations in force at the declaration's creation date.

REACH SVHC substances: We applied "Candidate List of substances of very high concern for Authorisation" of ECHA valid on the declaration's creation date.

ECHA SCIP: Article notification number in the SCIP Data base of the European Chemicals Agency (ECHA) according to Waste Frame Directive 2008/89/EC with amended directive 2018/851 in Article 9