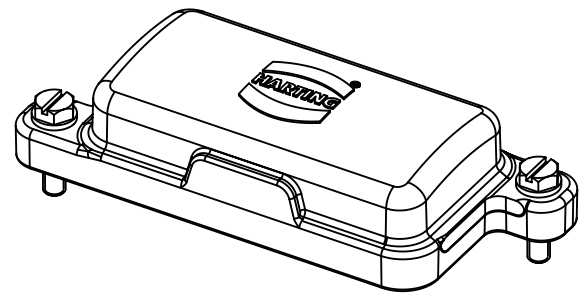
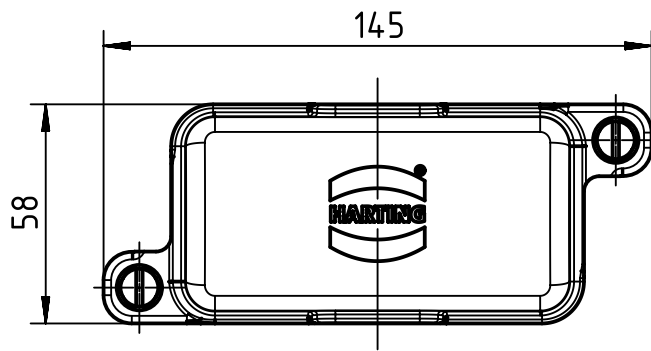
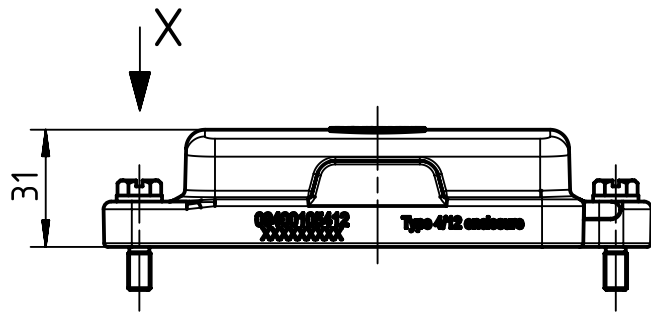


A

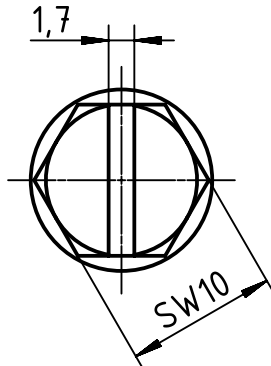
B

C

D



X (2:1)



	All Dimensions in mm Original Size DIN A4		Scale 1:2	Free size tol.		Ref. Sub. TB 09 40 010 5412 v. 29.11.05	
	All rights reserved Department EL PD		Created by SPRENB	Inspected by GERB	Standardisation RUETERA	Date 2019-03-21	State Final Release
HARTING Electric GmbH & Co. KG D-32339 Espelkamp			Title Han 10 HPR Cover Screw Lock			Doc-Key / ECM-Nr. 100185738/UGD/005/B 500000149106	
Type TB		Number 09 40 010 5412			Rev. B	Page 1/1	