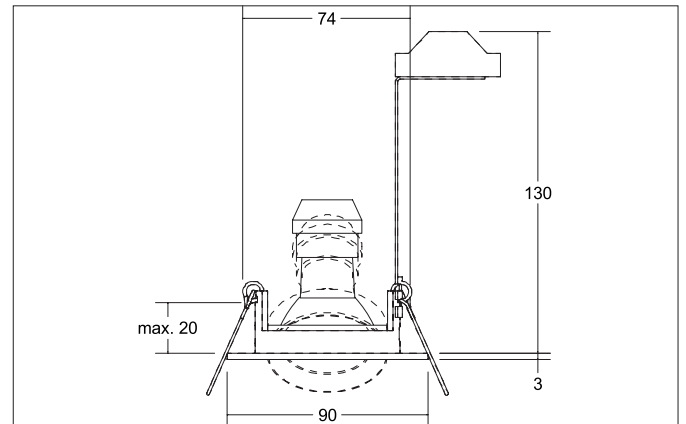


KALINDA-R Recessed spot, GU10
Article no. 36453150

Light.
For Generations.



Tender

Recessed spot, GU10, Round. Toolless ceiling installation by installation springs. Ceiling cut-out \varnothing 74 mm, Installation depth 130 mm, Outer diameter 90 mm, Weight 0,127 kg, with rotationssymmetrical, deep, wide distributed light intensity. optimal light distribution due to a Without cover cover. with Lamp holder GU10 max: 50 W, Delivery without bulb. Housing material: Aluminium, Colour: Nickel, Permissible ambient temperature (ta): -20 °C - +25 °C, Protection class (EN 61140): II, Degree of protection (DIN EN 60529): IP20. For direct connection to mains voltage, Other dimmable.

Article data	
Article no.	36453150
GTIN	4251433949718
Series name	KALINDA-R
Short description	Recessed spot, GU10
Material	Aluminium
Colour	Nickel
Type of surface	Matt
Shape	Round
Outer diameter	90 mm
Built-in diameter	74 mm
Installation depth	130 mm
Height	3 mm
Weight	0.127 kg

Lighting technology	
Light output	Direct
Light sharing	Symmetric

All technical data as well as, weight and measurements are based on rated values and had been carefully prepared. We reserve the right to make technical changes which are important in progressing. Product pictures are examples and can vary from the original. Subject to errors.

Date 28.10.2022 Orders are placed under our general terms and conditions under <https://www.brumberg.com/en/terms-and-conditions/general-terms-and-conditions-of-sale/>

KALINDA-R Recessed spot, GU10
Article no. 36453150

Light.
 For Generations.

Operating technology of the luminaire	
System output	50 W
Voltage type	AC
AC nominal voltage max	230 V
Frequenz max.	50 Hz
Lamp	for LED-retrofill lamp
Lamp holder	GU10
Protection class	II
Degree of protection	IP20
Control	Other
Bulb change possible	Yes

Mounting technology	
Mounting method	Recessed mounting
Place of installation	Ceiling-mounted
Adjustability	Pivoted
Swivel angle	40°
Max. ceiling thickness	20 mm
Further references	No cover with thermal insulation material
Material cover	Without cover
Circlip	Without circlip

Packing data	
Gross weight	0.174 kg
Length of packaging	140 mm
Packaging width	110 mm
Packaging height	120 mm
Disposal at end of life	This product must not be disposed of with household waste. You are obliged, to dispose of such electrical waste separately. By disposing of electrical waste and other old or defective electronics separately, you support recycling or other forms of re-use. In that way you help to take care and to avoid that harmful substances get into the environment.