

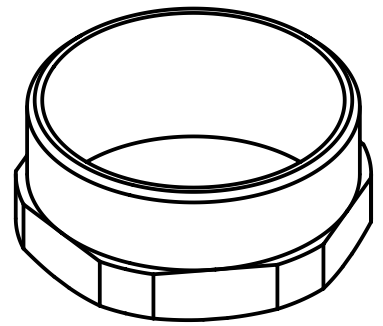
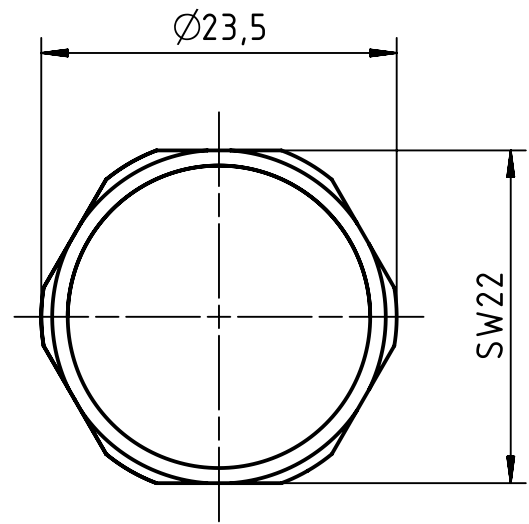
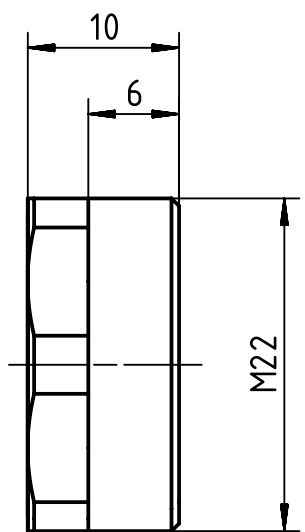
1 2 3 4 5 6


A

B

C

D



	All rights reserved Department EL PD - DE		Created by GERB	Inspected by MOOR	Standardisation TIEMANNA	Date 2015-06-29	State Final Release	
	HARTING Electric GmbH & Co. KG D-32339 Espelkamp		Title Thermoplastic screw for R15 Base				Doc-Key / ECM-Nr. 100627822/UGD/000/B 500000090873	
			Type TB	Number 09 15 000 9905			Rev. B	Page 1/1