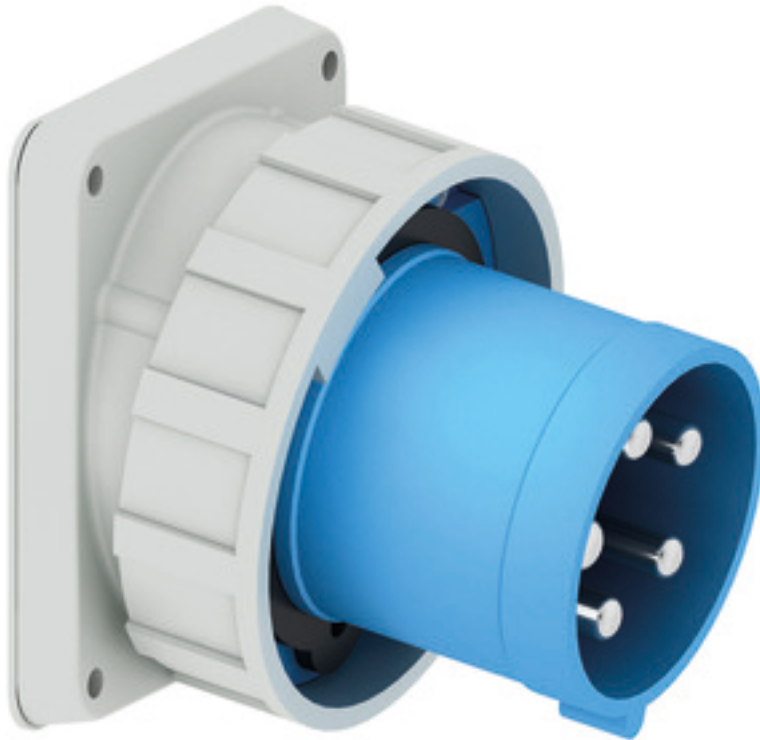


Panel mounting appliance inlet, angled - flange 130x120, fixing centers 108x100

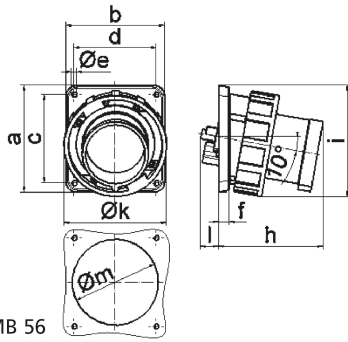


Product description	
BALS-Prd.-Nr	2743
EAN	4024941027434
Product category	TE panel mounting appliance inlet, angled
Current	125A
Number of poles	5p
Poles	3p+N+PE
Position of earth contact	9 h
Voltage	120/208 up to 144/250V

Product description	
Frequency	50 and 60Hz
Protection degree	IP67
Colour code	blue RAL 5015
Colour of appliance	Collar blue RAL 5015, Bayonet ring grey RAL 7035, Enclosure grey RAL 7035
Connection design	screw terminal as box terminal
Maximum conductor size	50.0 qmm
Cable entry	other
Height	125mm
Width	136mm
Depth	150mm
Flange size vertical	130mm
Flange size horizontal	120mm
Drill hole distance vertical	108mm
Drill hole distance horizontal	100mm
Material of enclosure	Polyamide
Contact	The contact carrier is made of high temperature resistant material, the contacts are brass nickel plated

Additional technical properties	
	The inclination is 10°

Logistics data	
Weight/pcs	1.135 kg / Piece
Packaging	Bag
Content amount	1 ST
EAN	4024941027434
Length	150 mm
Width	136 mm
Height	125 mm
Weight	1.136 kg
Volume	2,550 ccm
Packaging	Carton
Content amount	5 ST
EAN	4024941834025
Length	330 mm
Width	216 mm
Height	260 mm
Weight	5.901 kg
Volume	17,062.5 ccm



5 MB 56

Ampere Polzahl	125 3	125 4	125 5			
a	130,0	130,0	130,0			
b	120,0	120,0	120,0			
c	108,0	108,0	108,0			
d	100,0	100,0	100,0			
e ø	6,5	6,5	6,5			
f	13,0	13,0	13,0			
h	130,0	130,0	130,0			
i	135,0	135,0	135,0			
k	126,0	126,0	126,0			
l	23,0	23,0	23,0			
m ø	105,0	105,0	105,0			
Leiter mm ² min	16	16	16			
Leiter mm ² max	50	50	50			