

1

2

3

4

A

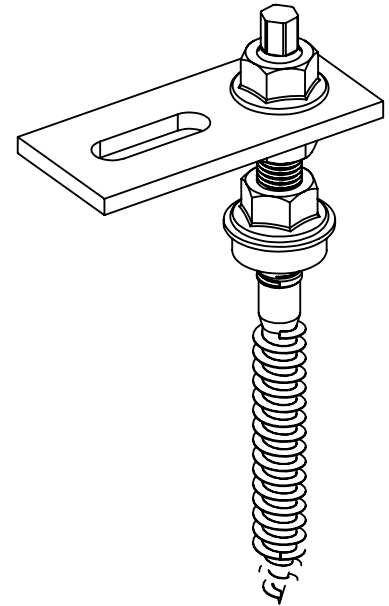
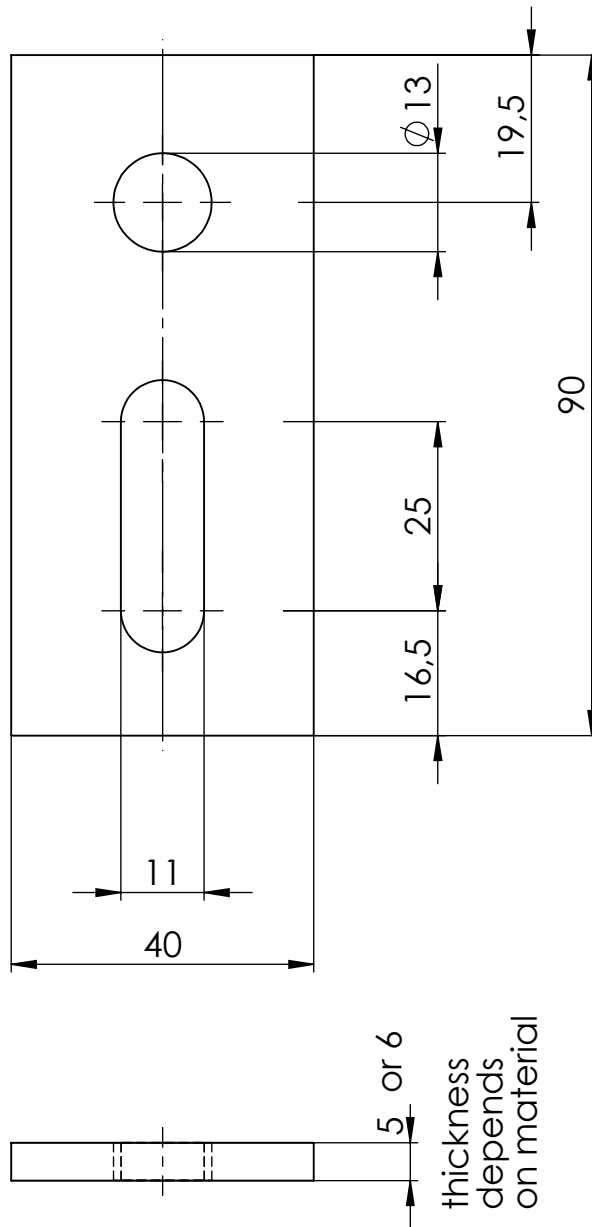
B

C

D

E

F



installation example
M 1:2

Art. Nr. 2002545

For Art. Nr.:

2000123 - M 12x200
2000124 - M 12x250
2000125 - M 12x300
2000126 - M 12x350
2000127 - M 12x400



K2 Systems GmbH
Industriestr. 18
71272 Renningen
07159/42059-0

Designation:

Data sheet
Hanger bolt
Adapter plate Alu M12

	Name	Date	Material:	Adapter Plate Alu: EN AW 5754 H14/ H16 EN AW 6060 T6 EN AW 6063 T6	Item no.:	A4	
Designed	M.Preiß	06.03.2017	Surface:		Drawing no.:		04-27-002
Approved	.	.	Weight:	ca. 300g/piece	Scale:		1:1
Last change	.	.					
This drawing is the sole property of K2 Systems GmbH. It is protected by copyright and may only be copied, reproduced or distributed to a third party with explicit permission!						All dimensions in mm	Sheet 1 of 1