

A

B

C

D

complete length when assembled app. 44

width across flats 15

width across flats 14

M12x1

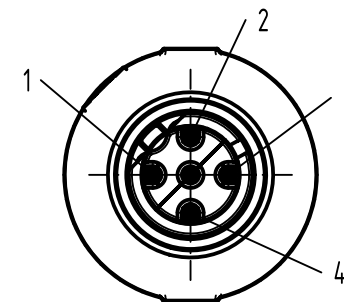
Ø 16,3

assembly aid enclosed

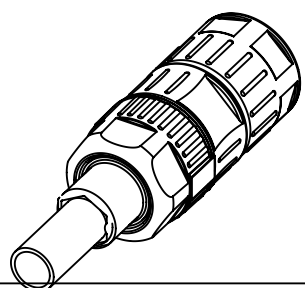
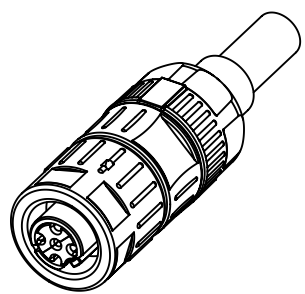
order contacts separately

A (2:1)

contact face acc. to IEC 61076-2-101



width across flats 15



Cable description	Cable diameter	Wire gauge	P/N contact	P/N Crimping insert	P/N Crimping Tool	P/N Mounting tool
RADOX DATABUS 120 OHM 2x0,5mm2+0,5mm2 Huber&Suhner: 84138531	7,8mm	AWG 24-20 AWG 22-18	09 67 000 8476 09 67 000 3476	0999 000 0653	0999 000 0647	0999 000 0639

	All Dimensions in mm Original Size DIN A4	Scale 1:1	Free size tol.			Ref.
	All rights reserved Department EC PD - RO	Created by STOICA	Inspected by AVRAM	Standardisation HOFFMANN	Date 2017-11-08	State Final Release
HARTING Electronics GmbH D-32339 Espelkamp		Title M12 4-poles D-coded crimpflange female				Doc-Key / ECM-Nr. 100703360/UGD/000/D 500000127561
		Type TB	Number 21038812412			Rev. D Page 1/1