

Connector - with screwless terminals, for harsh applications



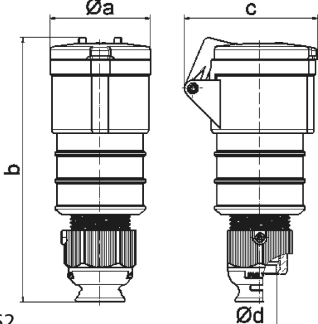
Product description	
BALS-Prd.-Nr	310519
EAN	4024941145558
product category (PG)	Connector QUICK-CONNECT TE
current (A)	16A
number of poles (P99)	4p
number of poles (P)	3P+PE
position of earth contact (H)	1 h

Product description	
voltage (V)	>50V for all other not classified voltages and/or frequencies. This time position can additionally process in special applications, in which a distinction to standardized positions needed to be used.
protection degree (SA)	IP44
colour code 1 (KF1)	gray RAL 7035
Colour of appliance	Hinged lid grey RAL 7035, Cable gland grey RAL 7035, Enclosure grey RAL 7035
connection design (AT)	screwless spring terminals as cage clamp with Kontex-contact
maximum conductor size (LQ)	2,5 qmm
cable entry (KE)	Cable gland
Height	162mm
Width	58mm
Depth	78mm
material of enclosure (GM)	Polyamide
contact	The contact carrier is made of high temperature resistant material, the contacts are brass nickel plated

Additional technical properties	
	For cable diameter from 8 up to max. 18 mm, Multi-Grip cable gland with gasket, integrated cable clamp and additional water evacuation openings

Logistics data	
Weight/pcs	0.168 kg / Piece
Packaging	Bag

Logistics data	
Content amount	1 ST
EAN	4024941145558
Length	78 mm
Width	58 mm
Height	162 mm
Weight	0.169 kg
Volume	732.888 ccm
Packaging	Carton
Content amount	10 ST
EAN	4024941836340
Length	275 mm
Width	175 mm
Height	137 mm
Weight	1.805 kg
Volume	5,737.5 ccm

	Ampere	16	16	16	32	32	32
	Polzahl	3	4	5	3	4	5
a ø	51,0	58,0	65,0	66,5	66,5	72,0	
b	156,0	162,0	168,0	195,0	195,0	198,0	
c	72,0	78,0	86,0	89,0	89,0	99,0	
d ø	18,0	18,0	21,0	23,0	23,0	27,0	
Leiter mm ² min	1	1	1	2,5	2,5	2,5	
Leiter mm ² max	2,5	2,5	2,5	6	6	6	